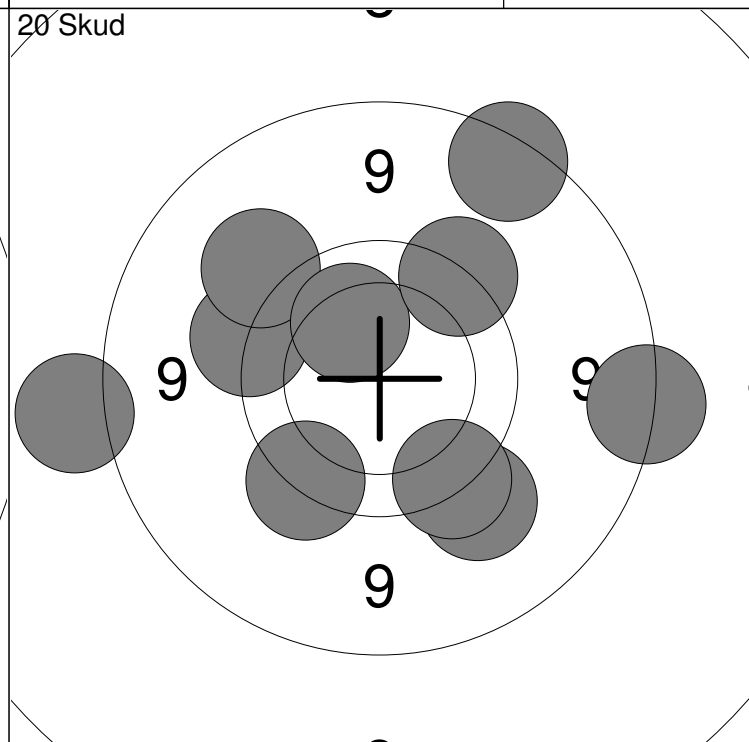
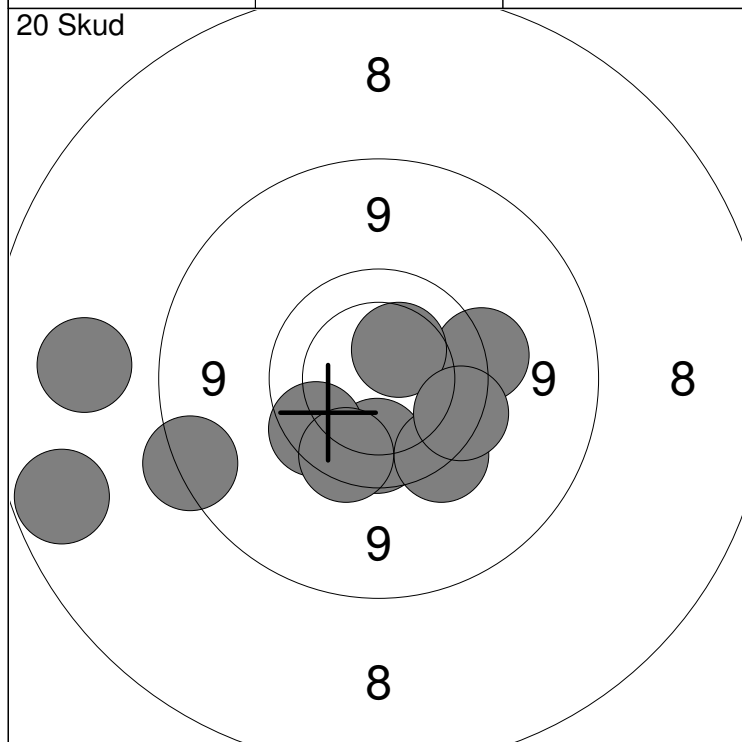


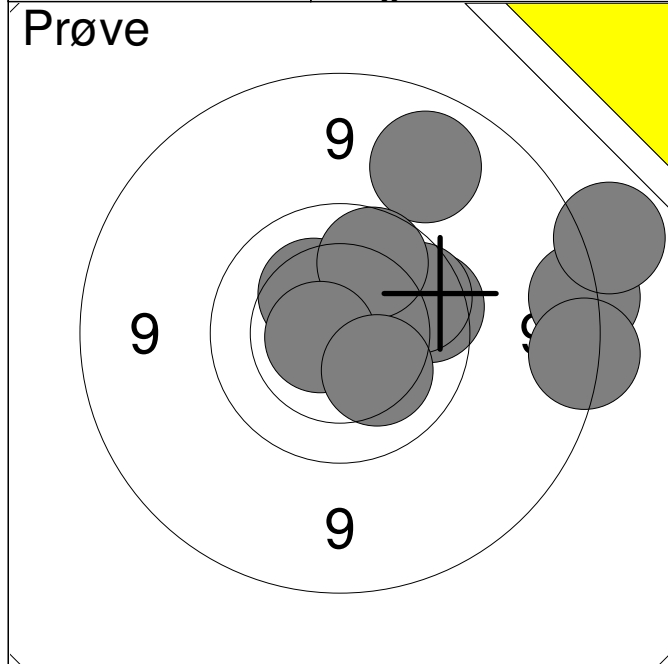
1: 8.6 ↘	6: 9.8 ↓	Serie	88
2: 8.3 →	7: 9.2 →		
3: 9.3 ↗	8: 10.7x ↓	Total	0
4: 9.6 ↘	9: 8.9 ↓		
5: 10.1 ↖	10: 8.5 ↘		

11: 9.9 ↓	Serie	18
12: 9.9 ↓		
Total		0

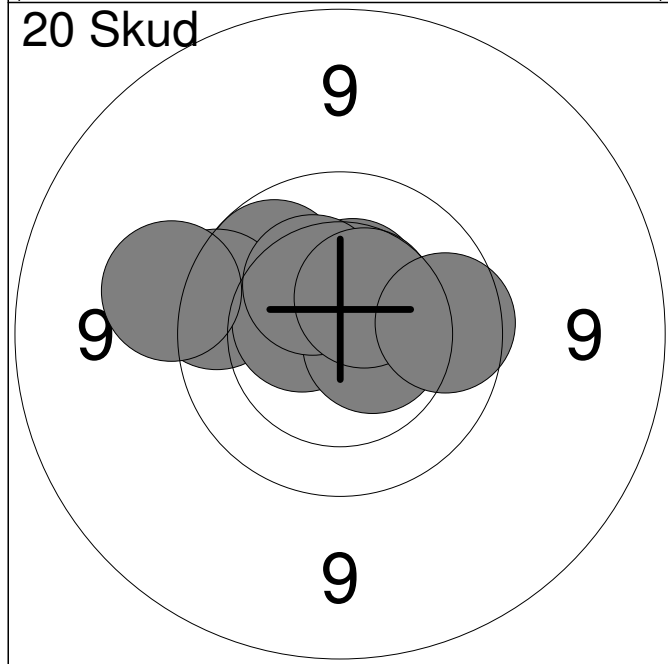


1: 9.9 ↓	6: 8.7 ←	Serie	88
2: 9.6 →	7: 9.7 →		
3: 10.4 ↗	8: 8.2 ←	Total	88
4: 9.8 ←	9: 8.0 ←		
5: 9.6 ↘	10: 9.8 ↓		

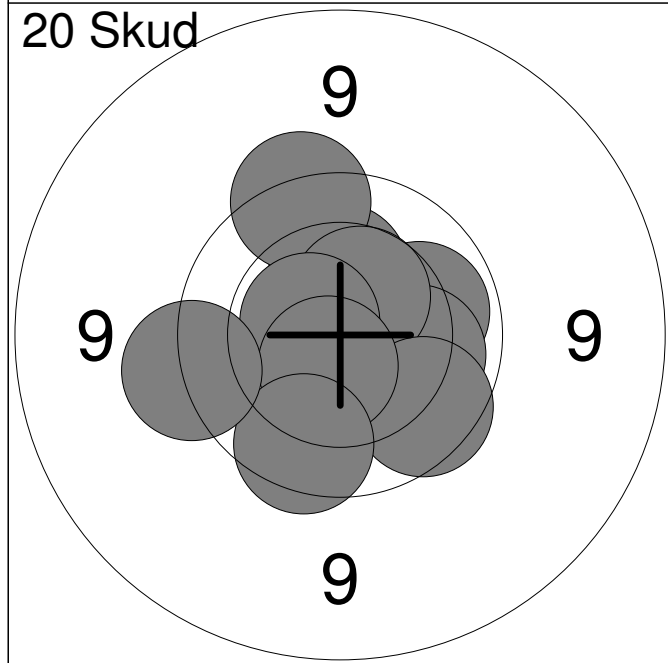
11: 9.5 ↖	16: 8.8 ↗	Serie	88
12: 8.5 ←	17: 8.7 →		
13: 9.4 ↘	18: 9.3 ↖	Total	176
14: 9.6 ↘	19: 10.1 ↗		
15: 9.6 ↘	20: 9.6 ↗		



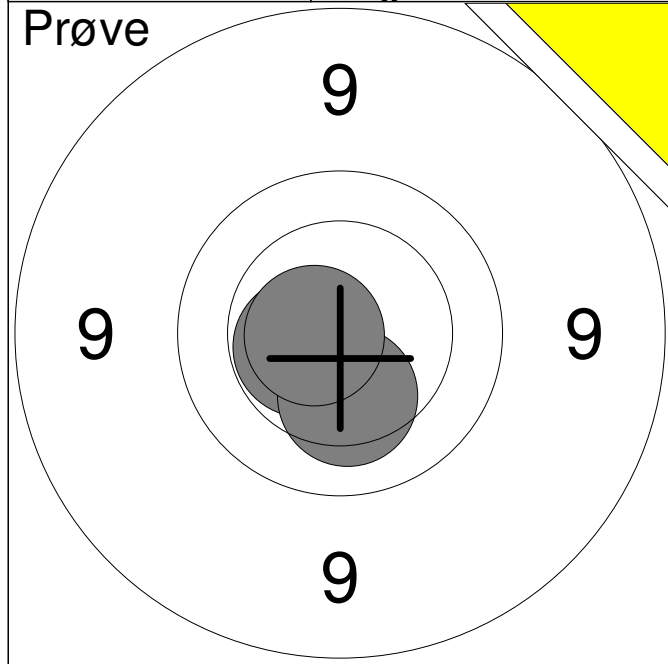
1:	8.7	→
2:	8.5	→
3:	8.7	→
4:	9.1	↑
5:	9.8	→
6:	9.9	→
7:	10.3	↑
8:	9.9	↑
9:	10.7x	←
10:	10.2	↓
Serie		90.0
Total		0.0



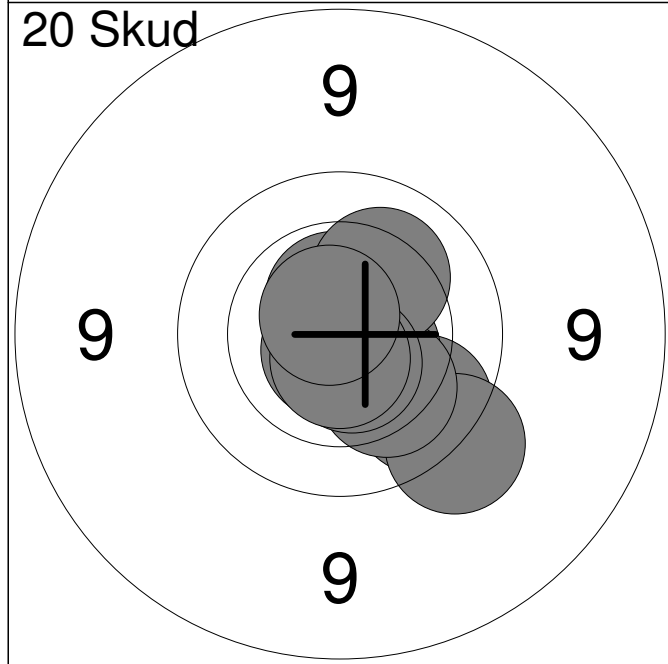
1:	10.0	↑
2:	9.7	←
3:	10.4	→
4:	10.5x	←
5:	10.6x	→
6:	10.4	↑
7:	10.3	↑
8:	10.5	↑
9:	9.4	←
10:	9.9	→
Serie		97.0
Total		97.0



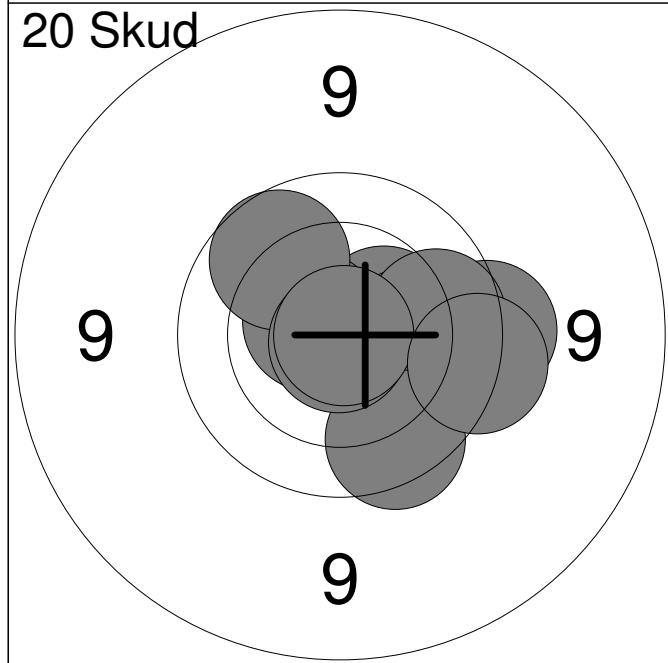
11:	10.3	↑
12:	10.1	→
13:	10.1	→
14:	9.7	↑
15:	10.5	↑
16:	9.8	↓
17:	10.6x	←
18:	10.6x	↓
19:	9.8	↓
20:	9.6	←
Serie		96.0
Total		193.0



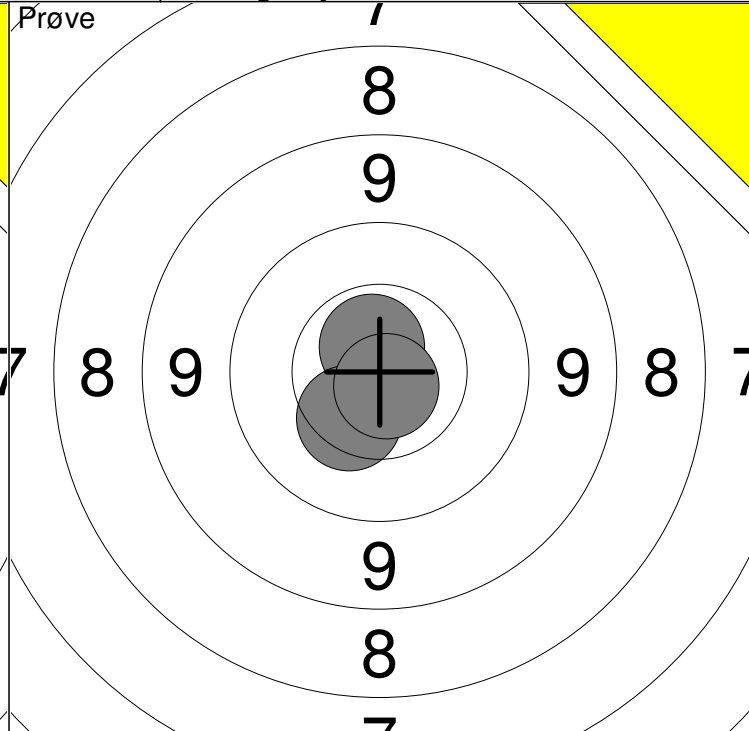
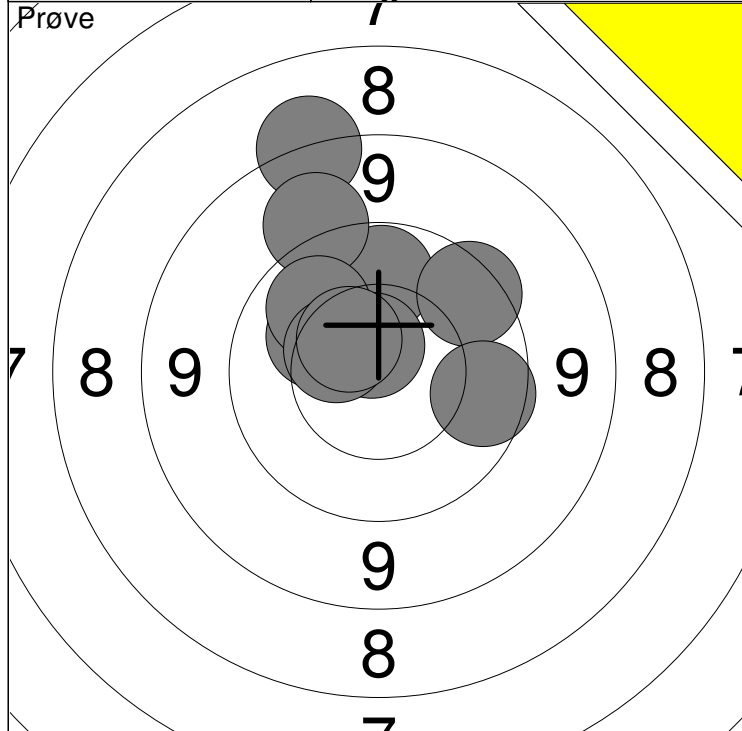
	1:	10.5x	←
	2:	10.3	↓
	3:	10.7x	←
Serie			30.0
Total			0.0



	1:	9.9	↘
	2:	10.6x	↘
	3:	10.8x	↘
	4:	9.5	↘
	5:	10.6x	↑
	6:	10.2	↘
	7:	10.2	↗
	8:	10.6x	↘
	9:	10.7x	↘
	10:	10.7x	↗
Serie			98.0
Total			98.0

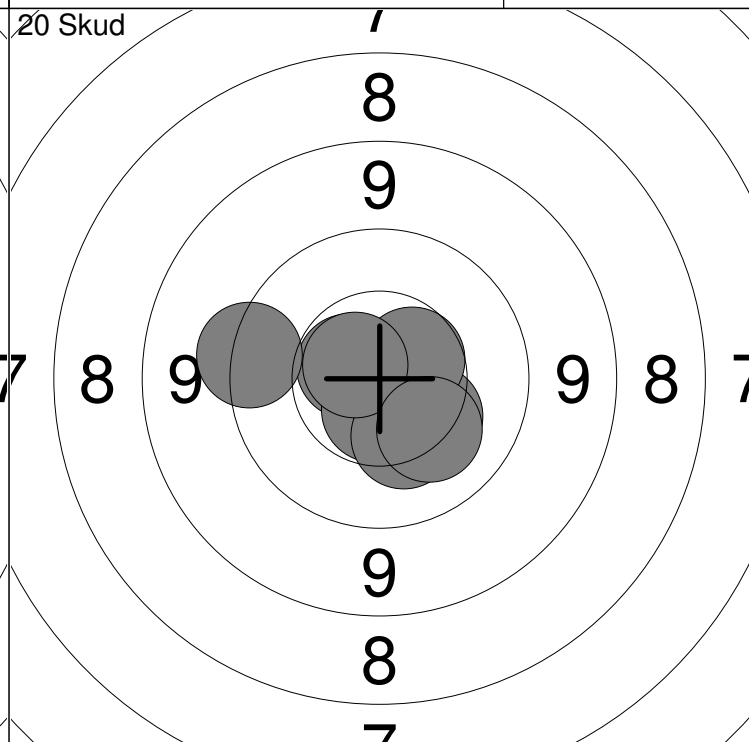
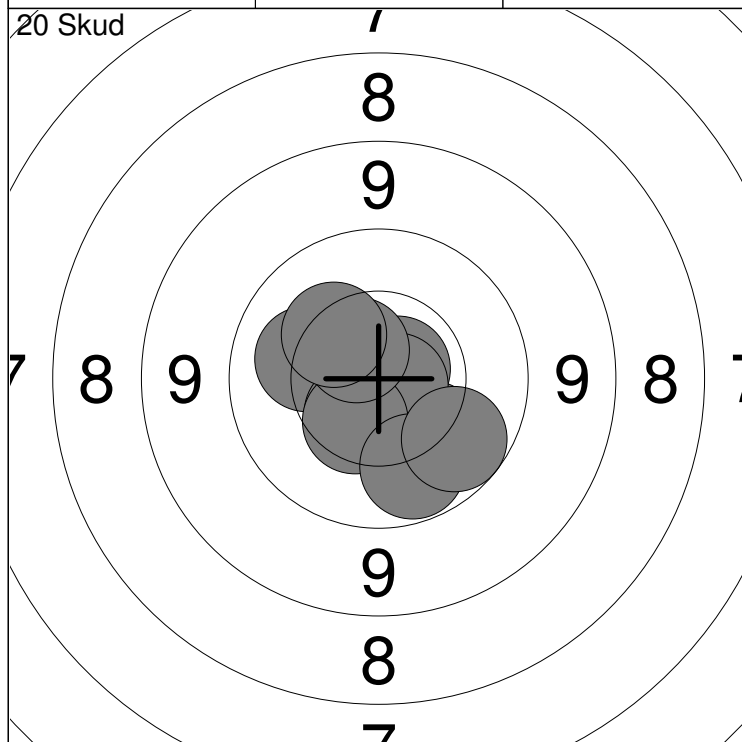


	11:	10.4	↗
	12:	10.2	→
	13:	10.6x	↗
	14:	9.9	↗
	15:	9.6	→
	16:	9.9	→
	17:	9.8	↘
	18:	10.9x	↘
	19:	10.9x	→
	20:	9.7	→
Serie			95.0
Total			193.0



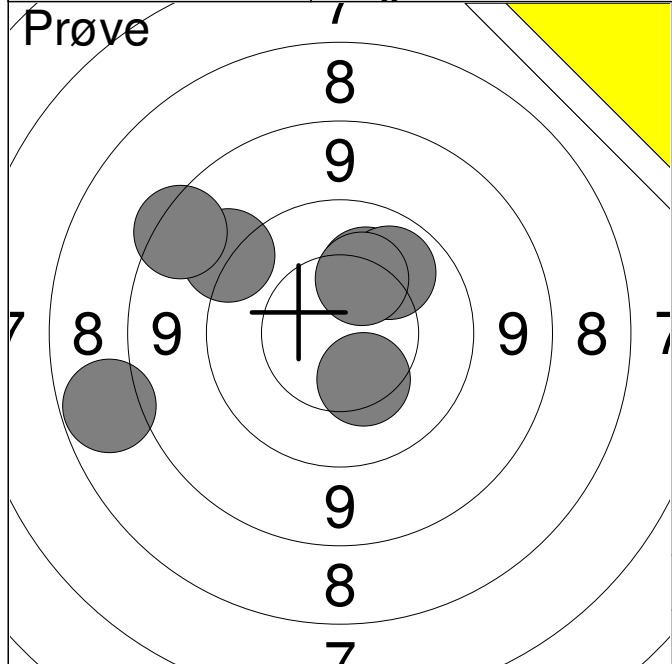
1: 8.4 ↗	6: 10.7x ↗	Serie 95
2: 10.0 ↗	7: 9.7 ↗	
3: 9.2 ↗	8: 9.8 →	Total 0
4: 10.2 ↖	9: 10.5 ↖	
5: 10.0 ↖	10: 10.5 ↖	

11: 10.7x ↗	Serie 30
12: 10.4 ↘	
13: 10.8x ↘	Total 0

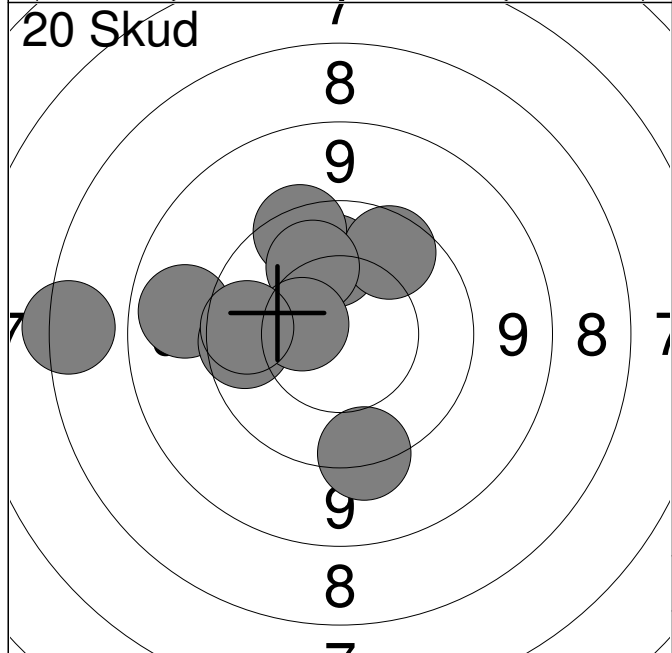


1: 10.2 ↘	6: 10.5 ↘	Serie 99
2: 10.2 ↖	7: 10.0 ↘	
3: 10.5 ↘	8: 10.6 ↗	Total 99
4: 10.7x ↗	9: 10.3 ↗	
5: 10.8x ↘	10: 9.9 ↘	

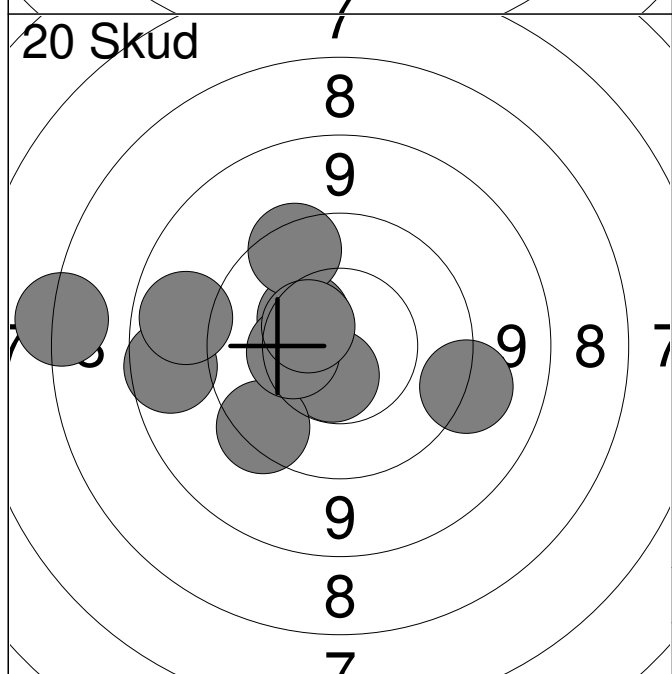
11: 10.6x ↖	16: 10.3 ↘	Serie 99
12: 9.5 ↖	17: 10.6 ↗	
13: 10.6x →	18: 10.3 ↘	Total 198
14: 10.6x ↘	19: 10.7x ↖	
15: 10.9x →	20: 10.2 ↘	



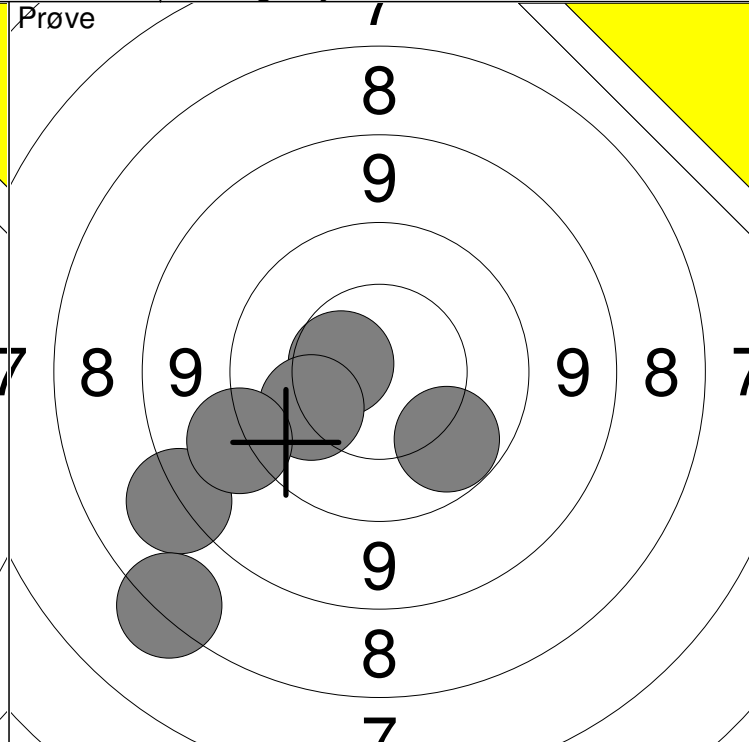
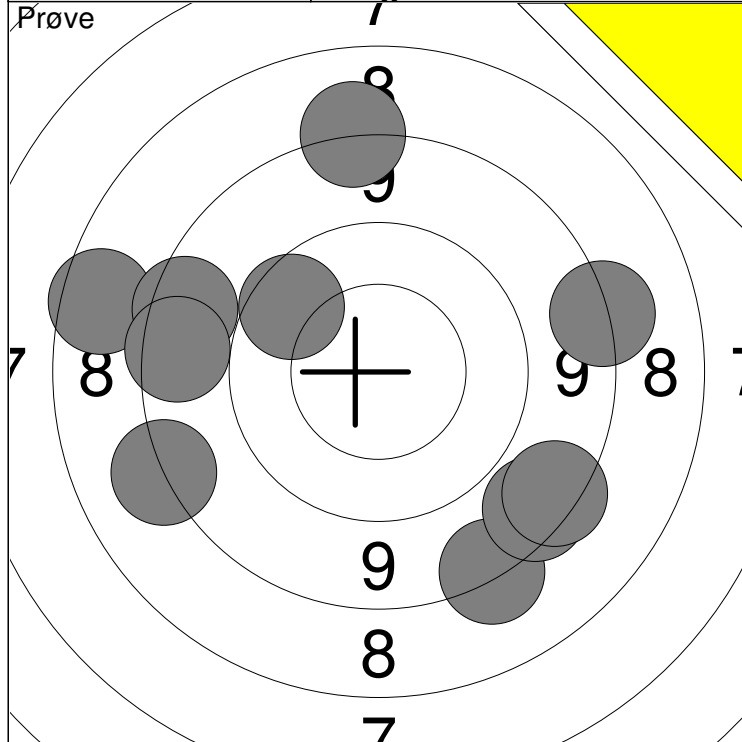
1:	10.3	↓
2:	9.3	↗
3:	8.6	↗
4:	8.0	↖
5:	10.2	↗
6:	10.0	↗
7:	10.3	↗
Serie		65.0
Total		0.0



1:	10.1	↑
2:	7.6	↖
3:	9.1	↖
4:	9.8	↖
5:	9.8	↗
6:	9.6	↗
7:	10.1	↗
8:	10.5	↖
9:	9.5	↓
10:	9.9	↖
Serie		91.0
Total		91.0

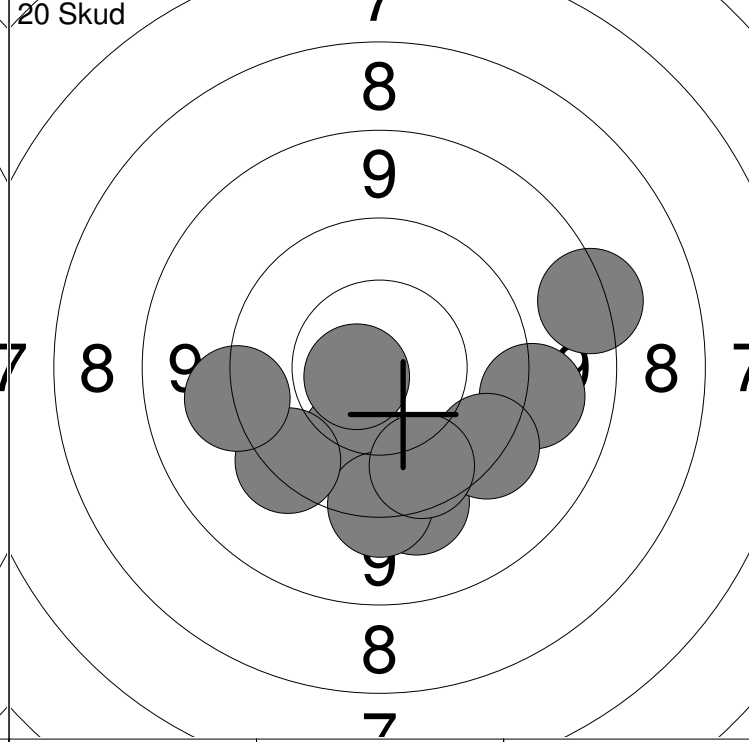
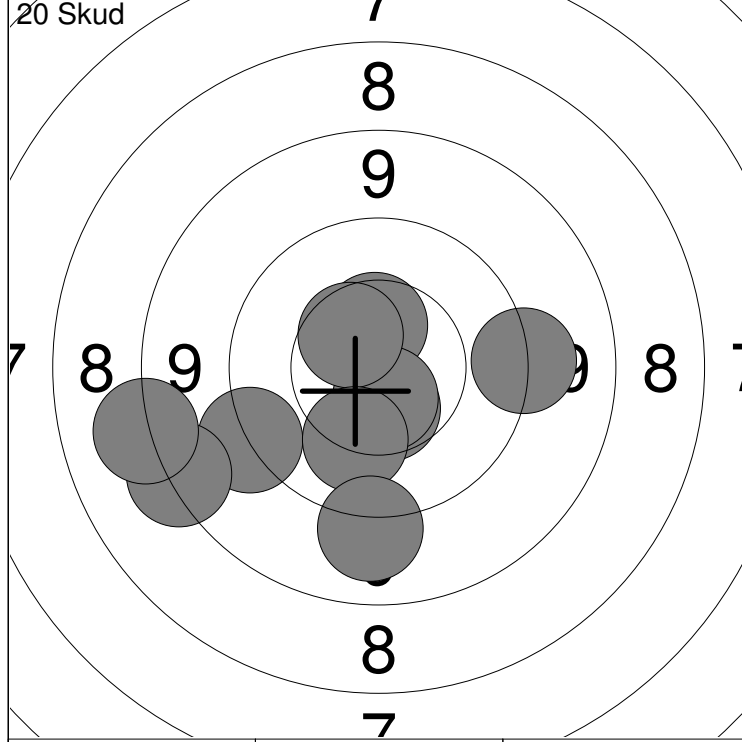


11:	10.6x	↓
12:	10.4	↗
13:	7.5	↖
14:	9.6	↖
15:	8.9	↖
16:	9.4	↗
17:	9.7	↗
18:	9.0	↖
19:	10.4	↖
20:	10.5	↗
Serie		91.0
Total		182.0



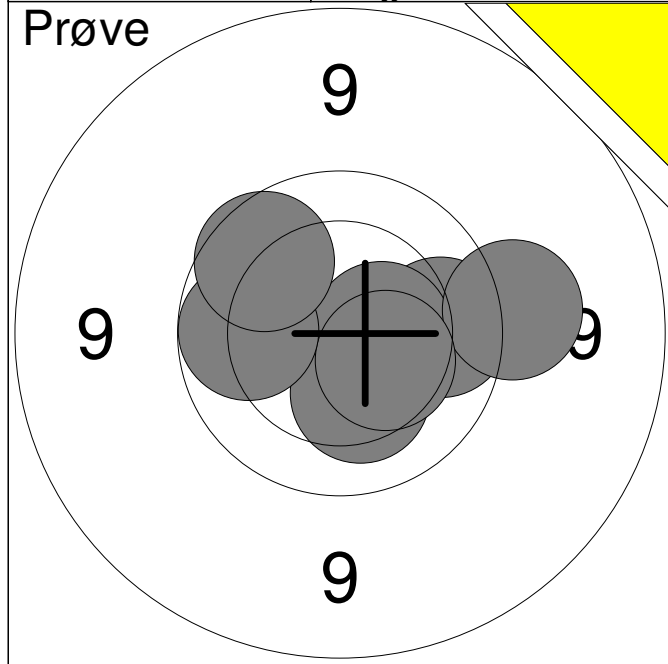
1: 8.4 →	6: 7.8 ←	Serie	80
2: 8.4 ↓	7: 8.4 ←		Total
3: 8.7 ↓	8: 8.7 ←		
4: 8.3 ↑	9: 9.8 ↗		
5: 8.6 ↓	10: 8.8 ←		

11: 8.3 ←	16: 9.3 ←	Serie	54
12: 7.5 ↘	13: 10.5 ←		Total
14: 10.0 ↓	15: 10.2 ←		

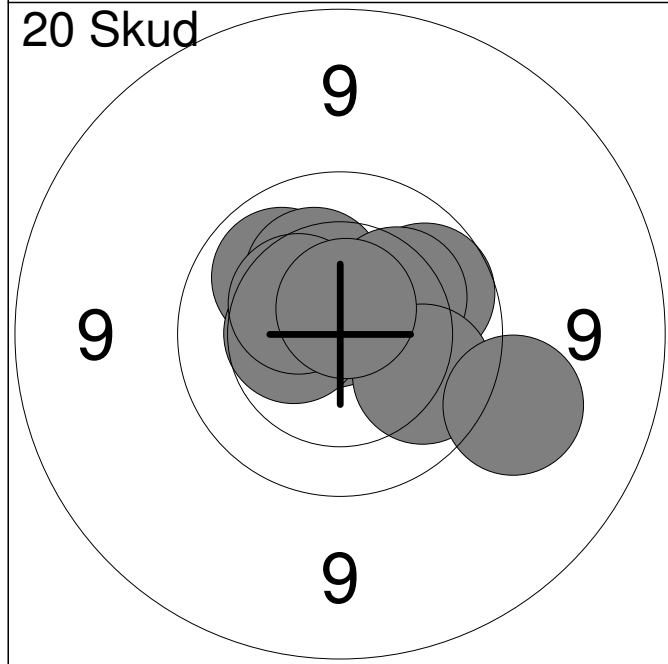


1: 9.4 ←	6: 10.5 ↗	Serie	93
2: 10.5 ↓	7: 8.3 ←		Total
3: 10.5 ↑	8: 10.2 ↓		
4: 10.6x ↓	9: 9.4 →		
5: 8.5 ←	10: 9.2 ↓		

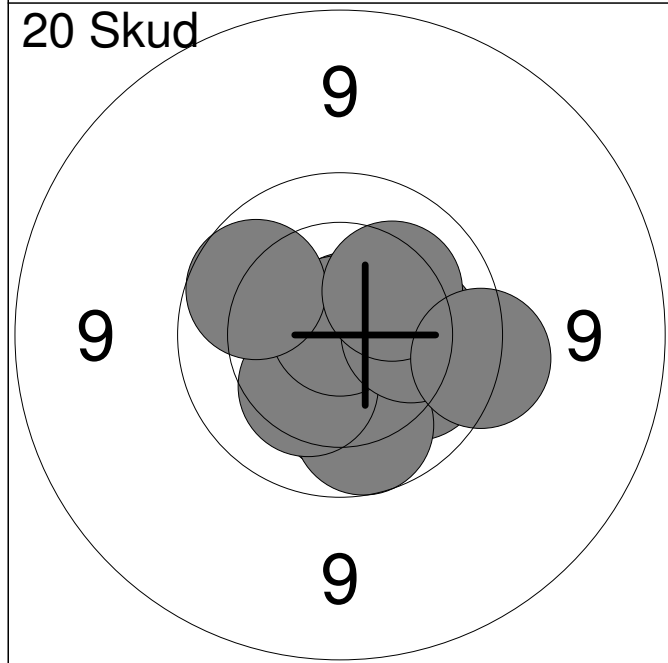
11: 10.1 ↓	16: 10.7x ←	Serie	91
12: 9.5 ↓	17: 9.5 ↓		Total
13: 9.5 ↓	18: 8.5 →		
14: 9.6 ←	19: 9.8 ↓		
15: 9.3 →	20: 9.4 ←		



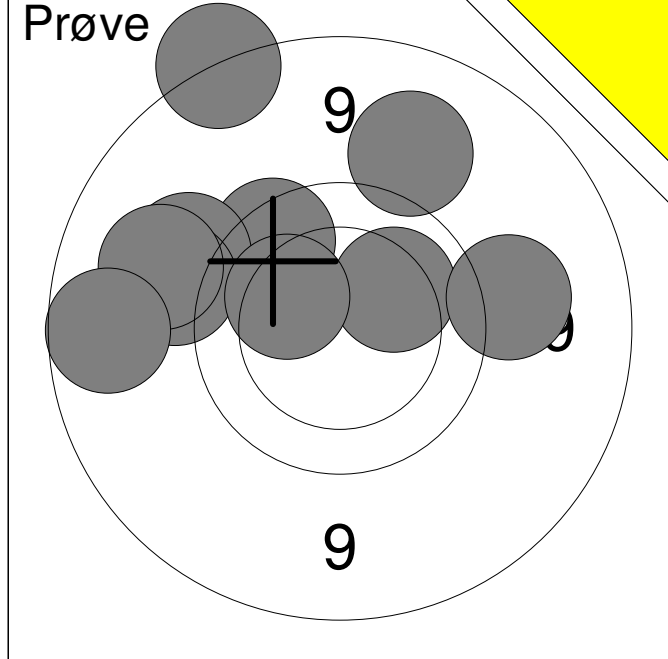
1:	9.9	→
2:	10.3	↓
3:	10.5x	→
4:	9.4	→
5:	10.4	↓
6:	10.0	←
7:	9.9	↗
Serie		67.0
Total		0.0



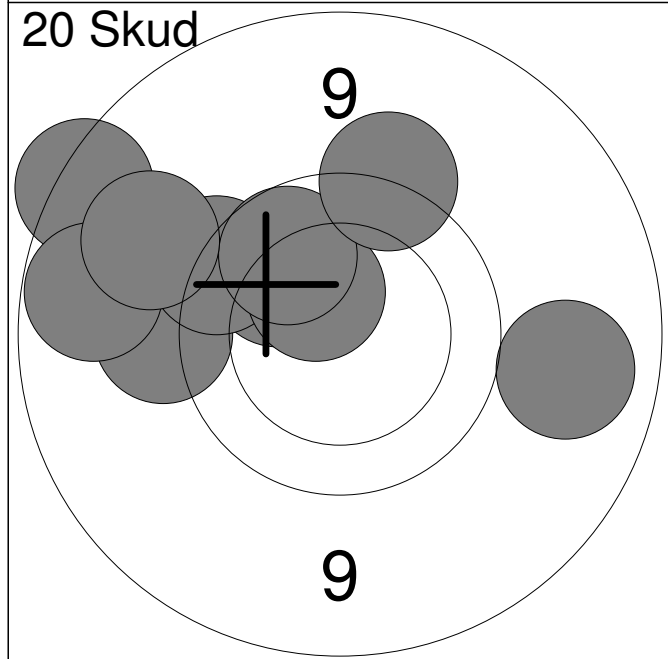
1:	10.8x	↗
2:	9.9	↘
3:	10.1	↗
4:	10.3	↗
5:	10.4	←
6:	10.4	↗
7:	10.2	↗
8:	10.0	↘
9:	10.7x	↗
10:	9.4	↘
Serie		98.0
Total		98.0



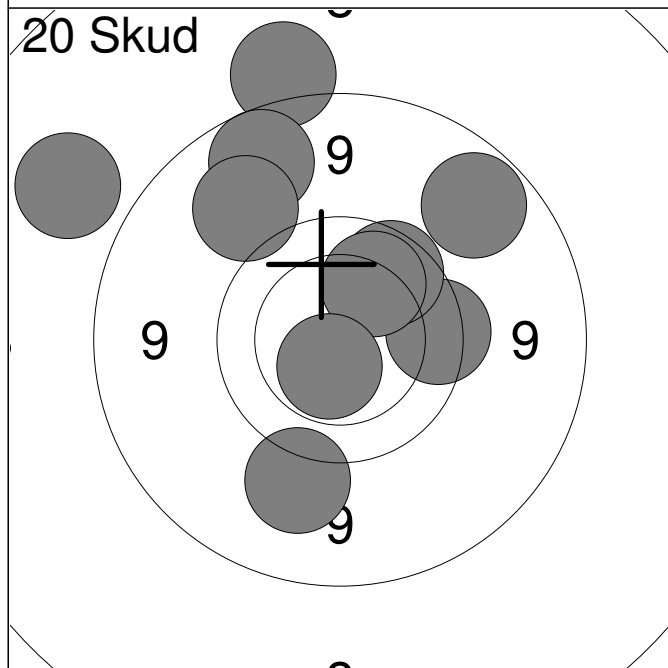
11:	10.8x	↗
12:	10.2	↓
13:	10.1	↘
14:	9.9	↓
15:	10.3	↘
16:	10.9x	↗
17:	10.2	→
18:	9.9	↗
19:	10.2	↗
20:	9.6	→
Serie		97.0
Total		195.0



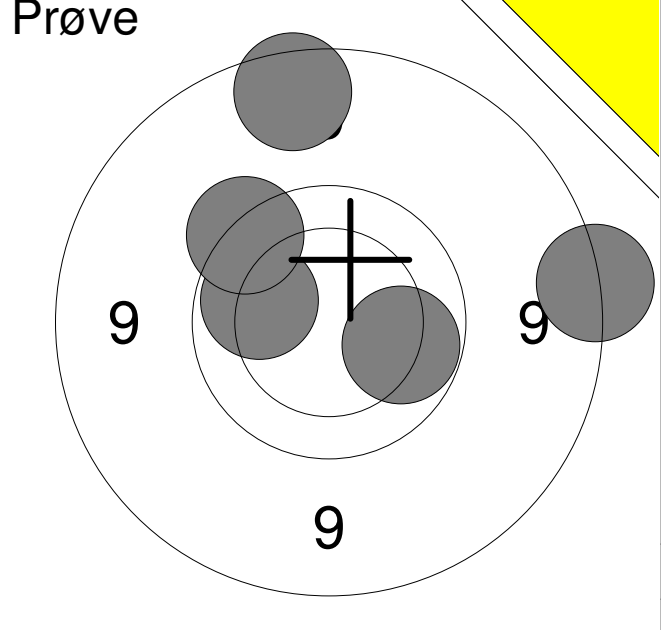
1:	9.8	↗
2:	8.7	↗
3:	10.2	↗
4:	9.4	↗
5:	9.3	↖
6:	9.2	↖
7:	9.3	→
8:	8.9	↖
9:	9.2	↗
10:	10.2	↗
Serie		90.0
Total		0.0

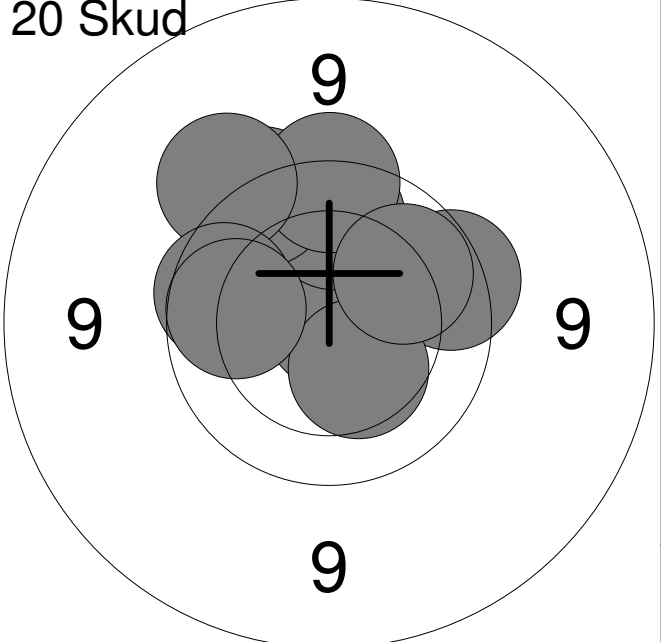


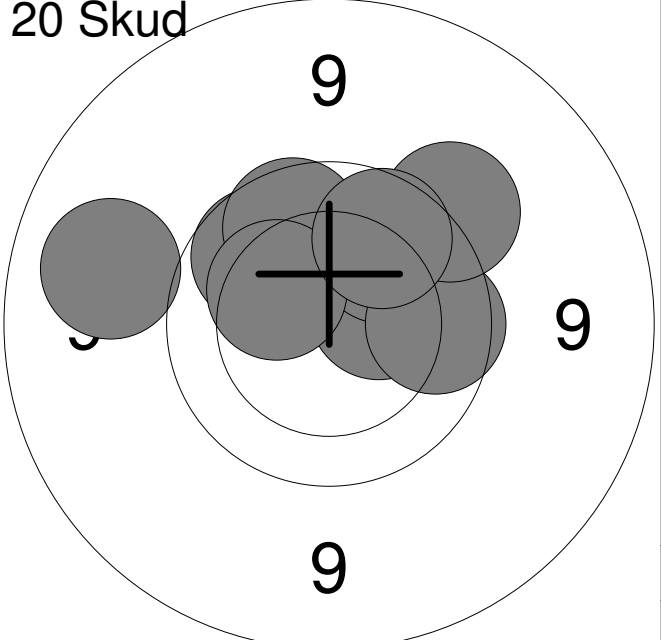
1:	10.0	↗
2:	9.4	↖
3:	9.6	↗
4:	10.4	↗
5:	9.9	↗
6:	8.8	↗
7:	9.1	→
8:	9.0	↖
9:	9.5	↗
10:	9.2	↗
Serie		91.0
Total		91.0

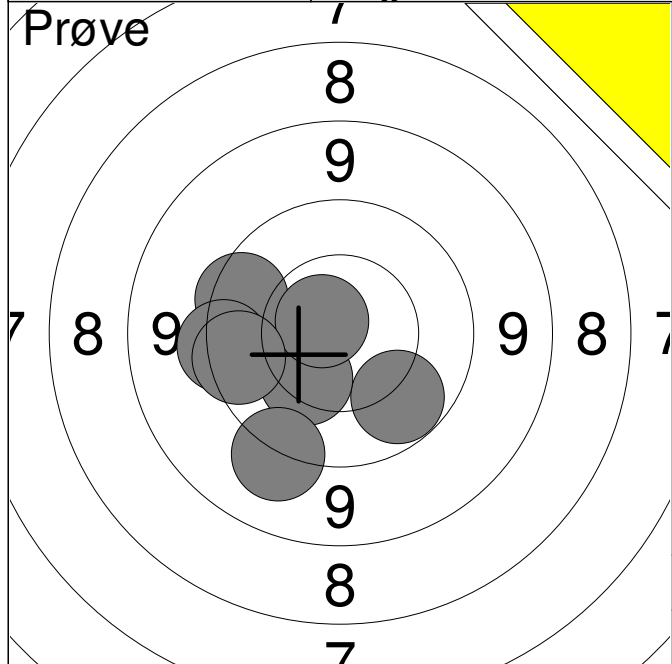


11:	9.3	↘
12:	8.5	↗
13:	8.9	↗
14:	8.3	↗
15:	9.0	↗
16:	9.2	↗
17:	9.7	→
18:	9.8	↗
19:	10.0	↗
20:	10.5x	↘
Serie		89.0
Total		180.0

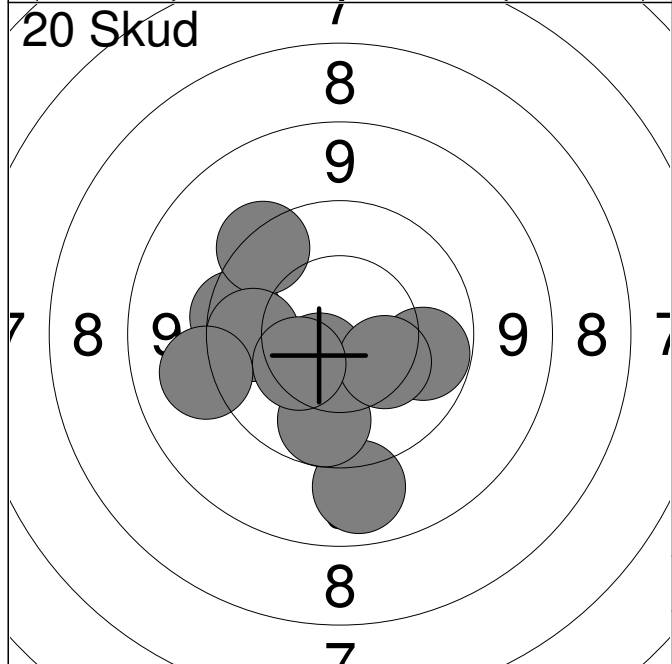
<p>Prøve</p> 	<table style="width:100%; border-collapse: collapse;"> <tr><td style="width:10%;">1:</td><td style="width:30%;">10.0</td><td style="width:10%; text-align: center;">↖</td></tr> <tr><td>2:</td><td>8.9</td><td style="text-align: center;">↑</td></tr> <tr><td>3:</td><td>8.7</td><td style="text-align: center;">→</td></tr> <tr><td>4:</td><td>9.6</td><td style="text-align: center;">↗</td></tr> <tr><td>5:</td><td>10.0</td><td style="text-align: center;">↘</td></tr> </table> <table border="1" style="width:100%; border-collapse: collapse; margin-top: 5px;"> <tr> <td style="width:80%;">Serie</td> <td style="text-align: right;">45.0</td> </tr> <tr> <td>Total</td> <td style="text-align: right;">0.0</td> </tr> </table>	1:	10.0	↖	2:	8.9	↑	3:	8.7	→	4:	9.6	↗	5:	10.0	↘	Serie	45.0	Total	0.0
1:	10.0	↖																		
2:	8.9	↑																		
3:	8.7	→																		
4:	9.6	↗																		
5:	10.0	↘																		
Serie	45.0																			
Total	0.0																			

<p>20 Skud</p> 	<table style="width:100%; border-collapse: collapse;"> <tr><td style="width:10%;">1:</td><td style="width:30%;">10.9x</td><td style="width:10%; text-align: center;">→</td></tr> <tr><td>2:</td><td>9.7</td><td style="text-align: center;">→</td></tr> <tr><td>3:</td><td>9.9</td><td style="text-align: center;">↑</td></tr> <tr><td>4:</td><td>10.4</td><td style="text-align: center;">↘</td></tr> <tr><td>5:</td><td>9.6</td><td style="text-align: center;">↗</td></tr> <tr><td>6:</td><td>9.7</td><td style="text-align: center;">↑</td></tr> <tr><td>7:</td><td>10.0</td><td style="text-align: center;">↗</td></tr> <tr><td>8:</td><td>9.5</td><td style="text-align: center;">↗</td></tr> <tr><td>9:</td><td>9.8</td><td style="text-align: center;">↖</td></tr> <tr><td>10:</td><td>9.9</td><td style="text-align: center;">↖</td></tr> </table> <table border="1" style="width:100%; border-collapse: collapse; margin-top: 5px;"> <tr> <td style="width:80%;">Serie</td> <td style="text-align: right;">93.0</td> </tr> <tr> <td>Total</td> <td style="text-align: right;">93.0</td> </tr> </table>	1:	10.9x	→	2:	9.7	→	3:	9.9	↑	4:	10.4	↘	5:	9.6	↗	6:	9.7	↑	7:	10.0	↗	8:	9.5	↗	9:	9.8	↖	10:	9.9	↖	Serie	93.0	Total	93.0
1:	10.9x	→																																	
2:	9.7	→																																	
3:	9.9	↑																																	
4:	10.4	↘																																	
5:	9.6	↗																																	
6:	9.7	↑																																	
7:	10.0	↗																																	
8:	9.5	↗																																	
9:	9.8	↖																																	
10:	9.9	↖																																	
Serie	93.0																																		
Total	93.0																																		

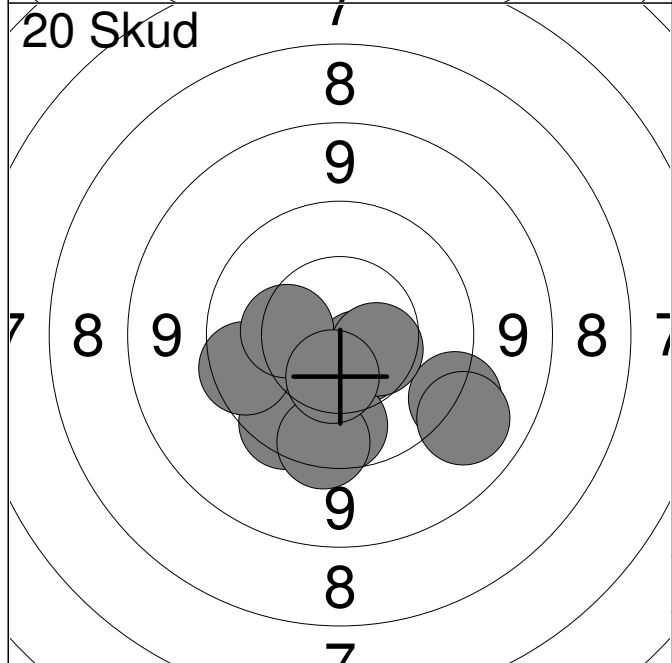
<p>20 Skud</p> 	<table style="width:100%; border-collapse: collapse;"> <tr><td style="width:10%;">11:</td><td style="width:30%;">10.1</td><td style="width:10%; text-align: center;">↗</td></tr> <tr><td>12:</td><td>10.4</td><td style="text-align: center;">→</td></tr> <tr><td>13:</td><td>10.0</td><td style="text-align: center;">↗</td></tr> <tr><td>14:</td><td>9.1</td><td style="text-align: center;">↖</td></tr> <tr><td>15:</td><td>9.9</td><td style="text-align: center;">→</td></tr> <tr><td>16:</td><td>9.9</td><td style="text-align: center;">↗</td></tr> <tr><td>17:</td><td>9.9</td><td style="text-align: center;">↗</td></tr> <tr><td>18:</td><td>10.3</td><td style="text-align: center;">↗</td></tr> <tr><td>19:</td><td>9.5</td><td style="text-align: center;">↗</td></tr> <tr><td>20:</td><td>9.9</td><td style="text-align: center;">↗</td></tr> </table> <table border="1" style="width:100%; border-collapse: collapse; margin-top: 5px;"> <tr> <td style="width:80%;">Serie</td> <td style="text-align: right;">94.0</td> </tr> <tr> <td>Total</td> <td style="text-align: right;">187.0</td> </tr> </table>	11:	10.1	↗	12:	10.4	→	13:	10.0	↗	14:	9.1	↖	15:	9.9	→	16:	9.9	↗	17:	9.9	↗	18:	10.3	↗	19:	9.5	↗	20:	9.9	↗	Serie	94.0	Total	187.0
11:	10.1	↗																																	
12:	10.4	→																																	
13:	10.0	↗																																	
14:	9.1	↖																																	
15:	9.9	→																																	
16:	9.9	↗																																	
17:	9.9	↗																																	
18:	10.3	↗																																	
19:	9.5	↗																																	
20:	9.9	↗																																	
Serie	94.0																																		
Total	187.0																																		



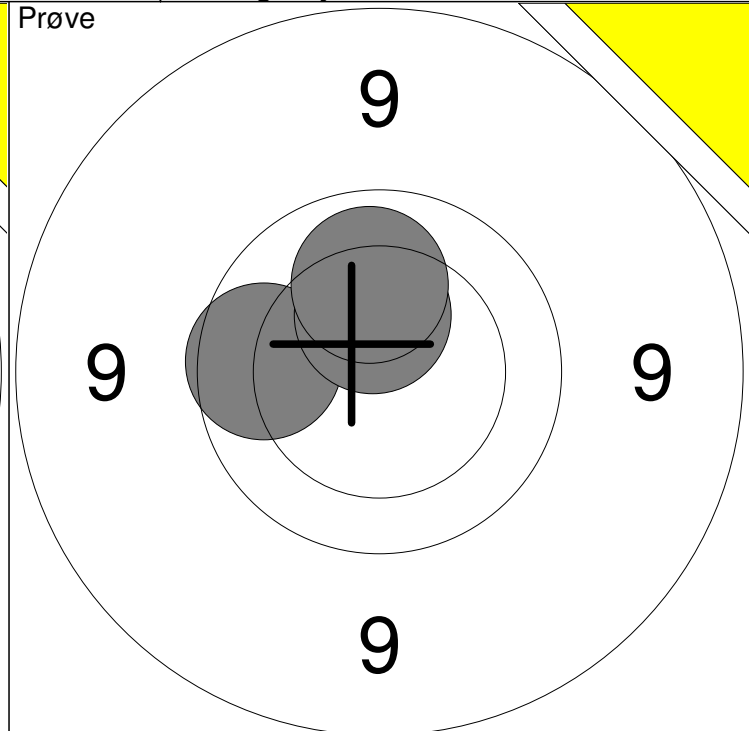
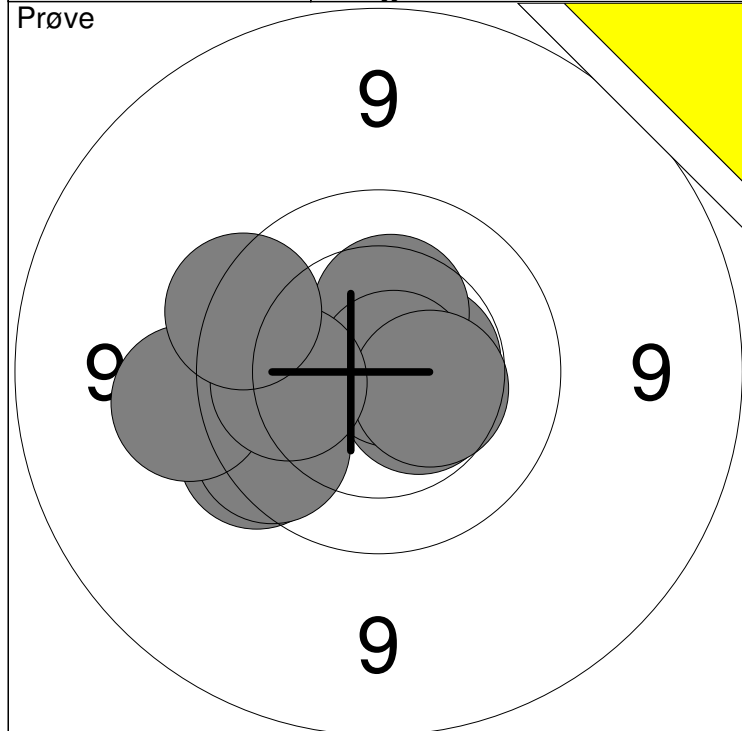
1:	10.0	↘
2:	9.7	↗
3:	10.3	↘
4:	9.3	↘
5:	9.6	←
6:	10.7x	↗
7:	9.7	←
Serie		66.0
Total		0.0



1:	9.7	←
2:	9.6	↗
3:	9.9	←
4:	10.6	↘
5:	9.1	↘
6:	10.0	↗
7:	9.9	↘
8:	10.3	↘
9:	10.4	↘
10:	9.3	←
Serie		94.0
Total		94.0

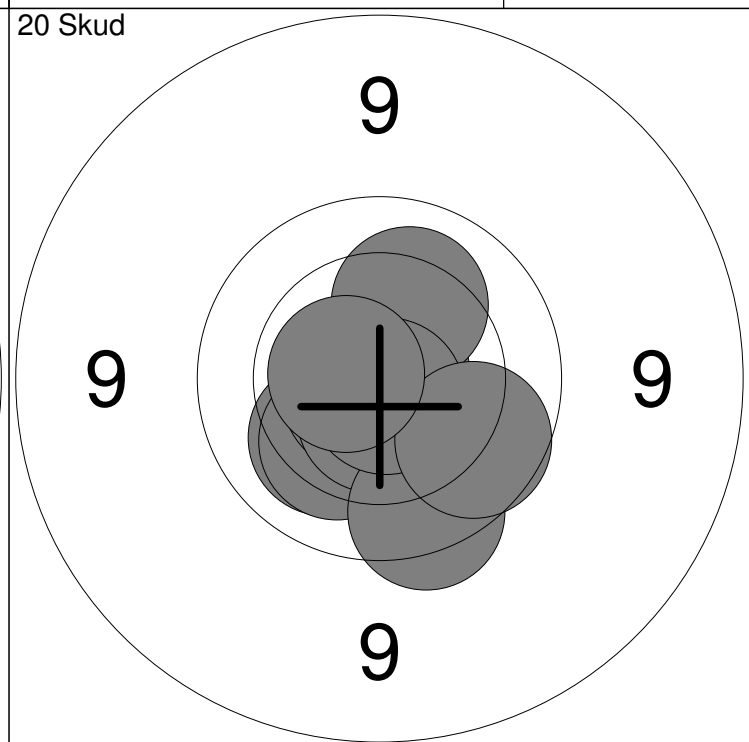
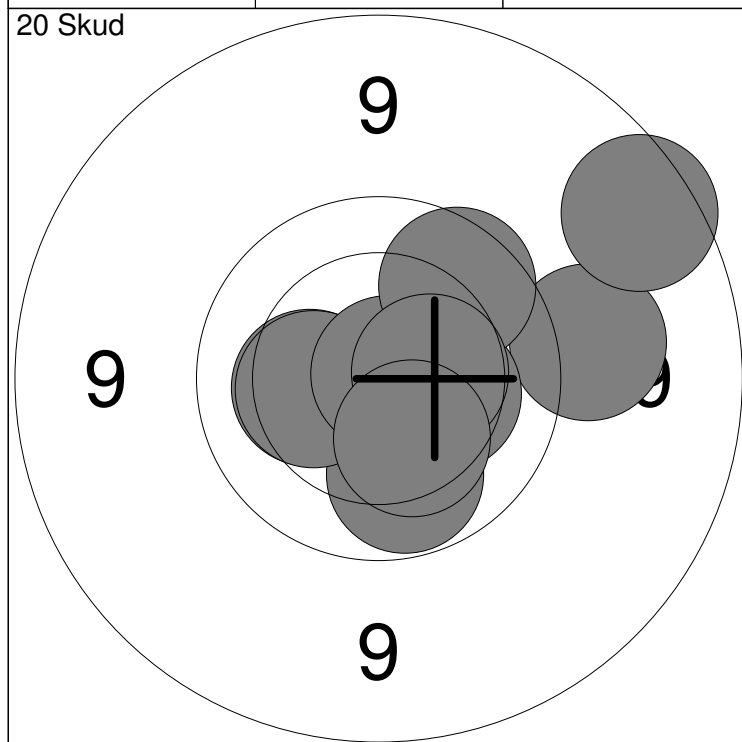


11:	9.4	↘
12:	9.7	↘
13:	10.6x	↘
14:	9.9	↘
15:	9.8	←
16:	9.2	↘
17:	9.7	↘
18:	10.3	←
19:	10.5	↗
20:	10.5	↘
Serie		94.0
Total		188.0



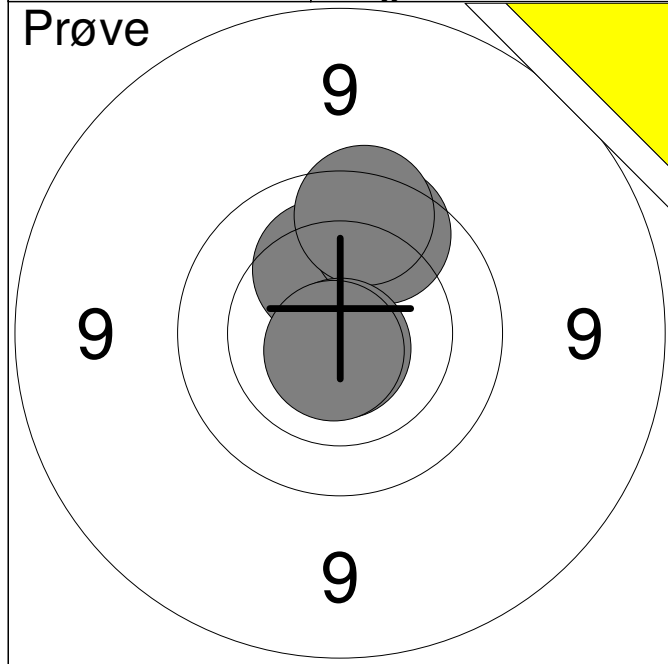
1: 9.7 ←	6: 10.8x →	Serie	96
2: 10.5x →	7: 9.5 ←		
3: 10.4 ↑	8: 10.4 →	Total	0
4: 10.5x ↘	9: 10.1 ←		
5: 9.8 ←	10: 9.7 ←		

11: 9.9 ←	Serie	29
12: 10.4 ↑		
13: 10.1 ↑	Total	0

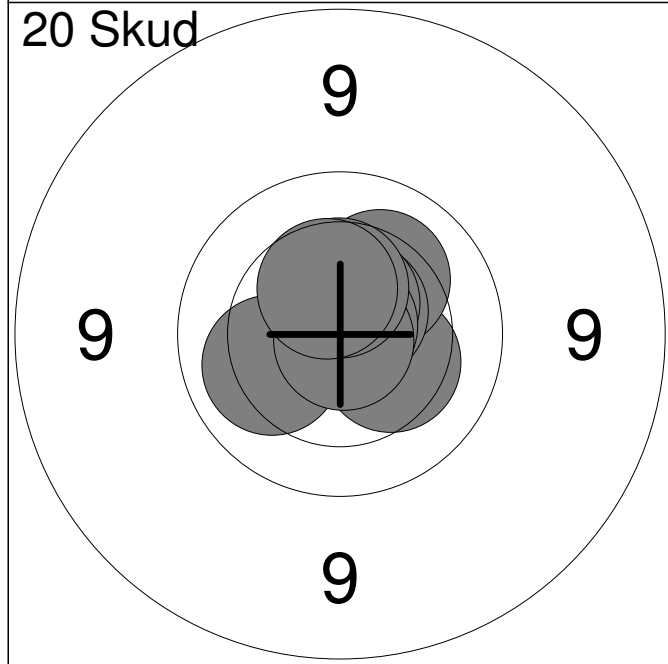


1: 10.3 ←	6: 10.8x →	Serie	96
2: 10.0 ↓	7: 8.9 →		
3: 10.3 ←	8: 9.8 ↗	Total	96
4: 9.4 →	9: 10.4 →		
5: 10.3 →	10: 10.3 ↓		

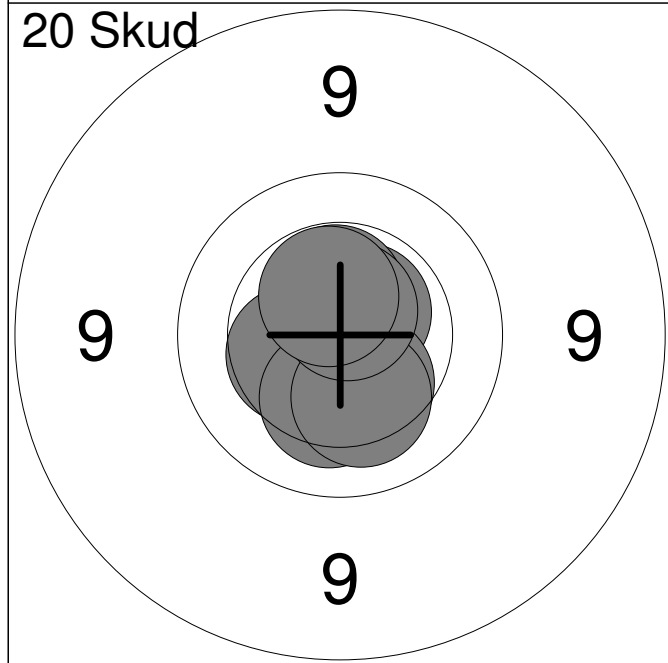
11: 10.2 ↙	16: 10.2 ↗	Serie	98
12: 10.2 ↙	17: 9.7 ↓		
13: 10.8x →	18: 10.8x ↓	Total	194
14: 10.7x ↙	19: 9.9 ↘		
15: 10.6x ↓	20: 10.6x ←		



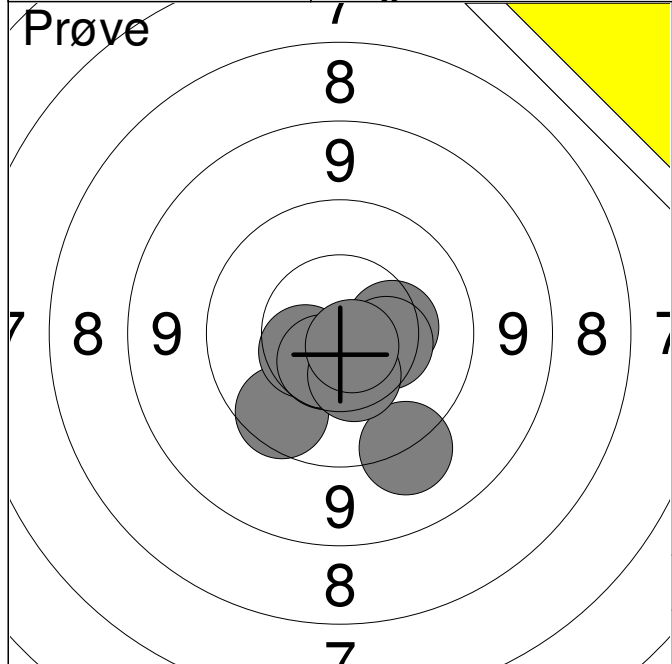
1:	10.2	↑
2:	9.9	↑
3:	9.8	↑
4:	10.8x	↓
5:	10.8x	↓
Serie		48.0
Total		0.0



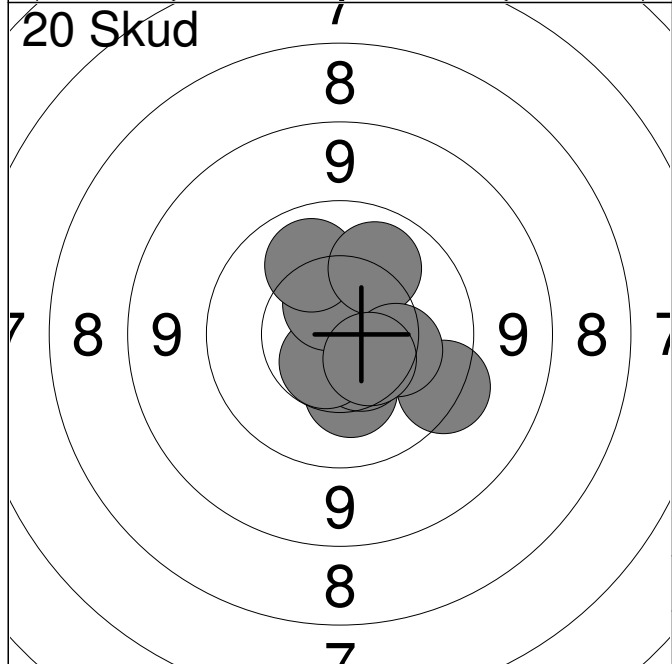
1:	10.3	↘
2:	10.2	↗
3:	10.6x	↗
4:	10.6x	↑
5:	10.7x	←
6:	10.1	←
7:	10.8x	↗
8:	10.9x	↓
9:	10.5	↑
10:	10.4	↑
Serie		100.0
Total		100.0



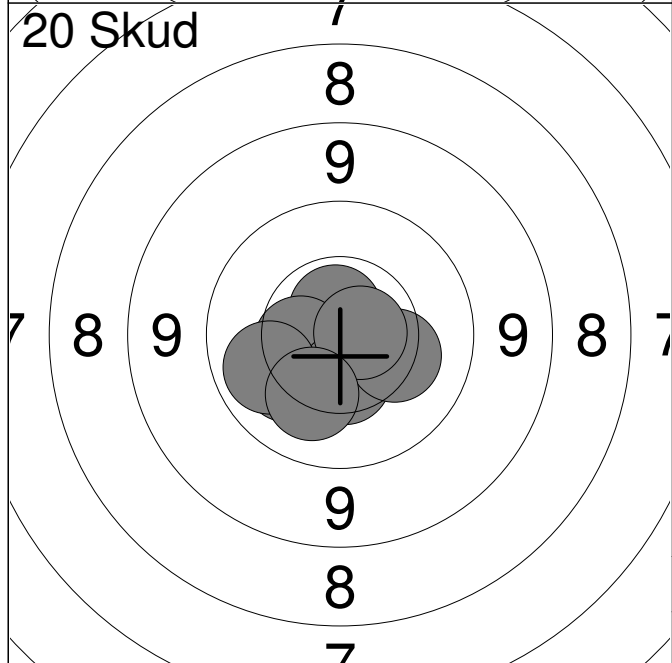
11:	10.8x	↘
12:	10.5x	←
13:	10.6x	↗
14:	10.4	←
15:	10.5x	↑
16:	10.4	↓
17:	10.3	↓
18:	10.2	↓
19:	10.7x	↗
20:	10.5x	↑
Serie		100.0
Total		200.0



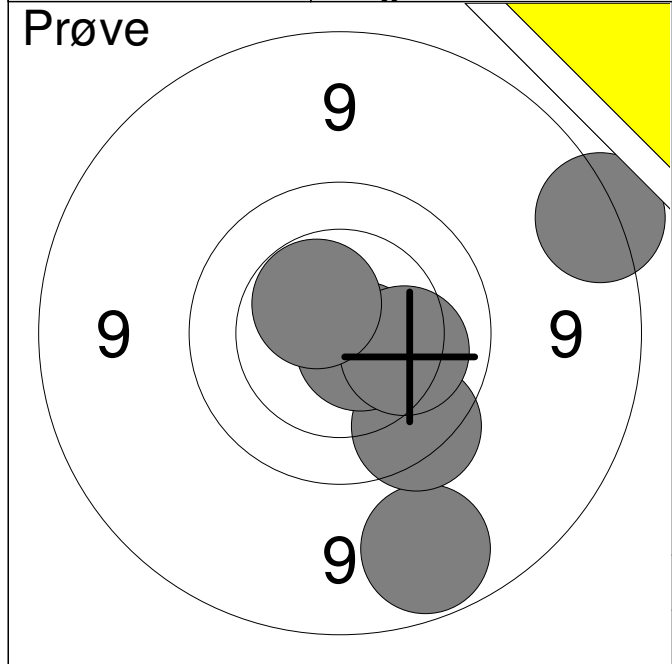
1:	9.8	↙
2:	10.5	↙
3:	10.6	↙
4:	10.6	↙
5:	9.4	↙
6:	10.3	→
7:	10.6x	↙
8:	10.4	→
9:	10.4	↙
10:	10.7x	↙
Serie		98.0
Total		0.0



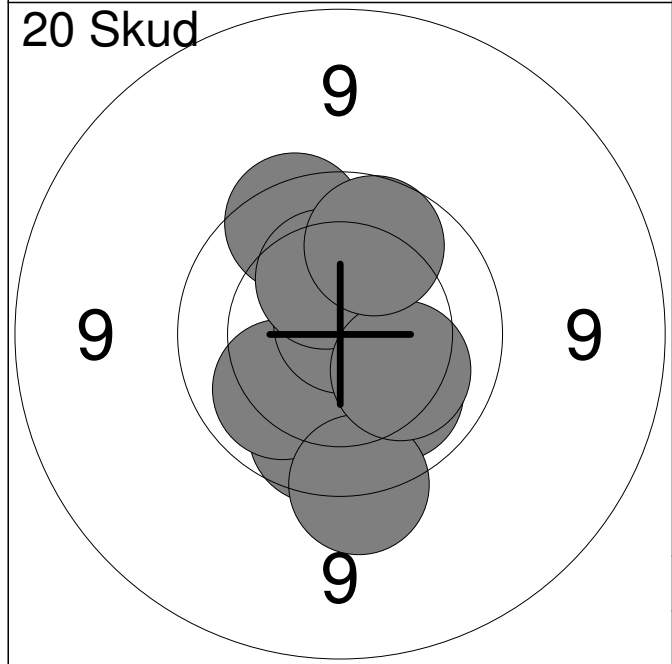
1:	10.3	↙
2:	9.6	↙
3:	10.5	↙
4:	10.7x	→
5:	10.6	↙
6:	10.6	↗
7:	10.1	↗
8:	10.1	↗
9:	10.3	→
10:	10.5	↙
Serie		99.0
Total		99.0



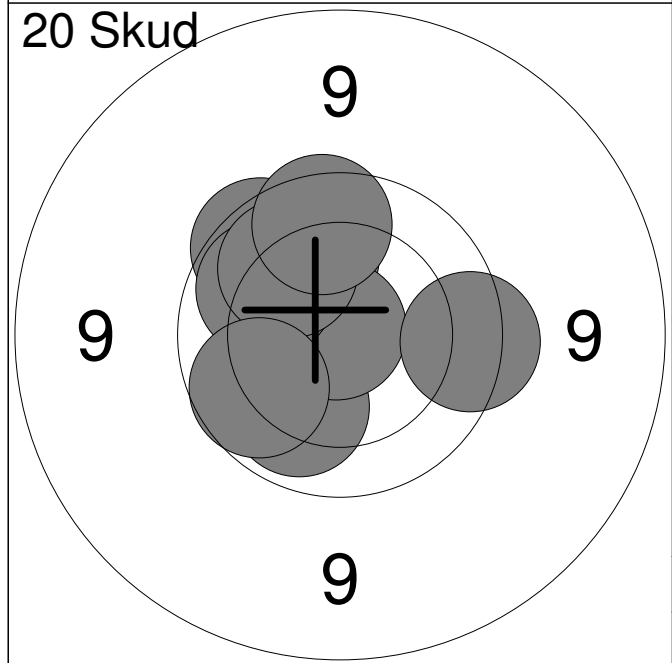
11:	10.3	↙
12:	10.7x	↙
13:	10.2	↙
14:	10.7x	↑
15:	10.5	↙
16:	10.4	↙
17:	10.3	→
18:	10.7x	→
19:	10.1	↙
20:	10.2	↙
Serie		100.0
Total		199.0



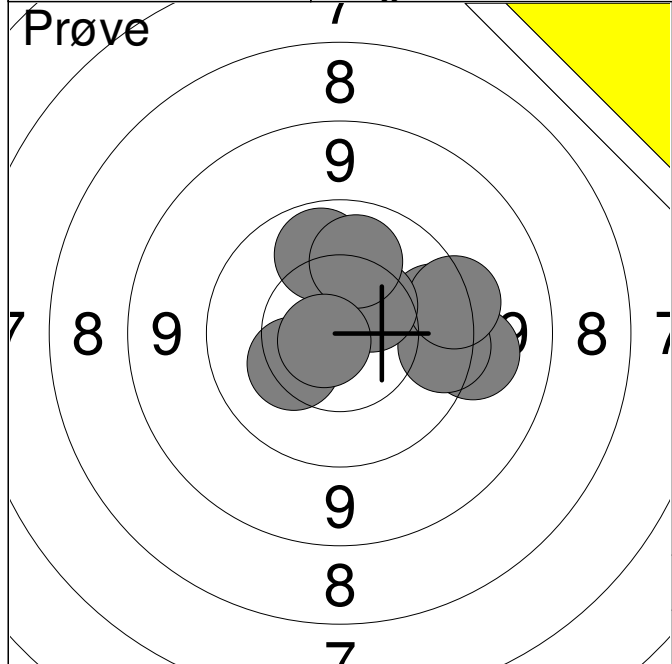
1:	9.0	↓
2:	9.7	↓
3:	10.7x	↓
4:	10.2	→
5:	8.7	↗
6:	10.5x	↗
Serie		56.0
Total		0.0



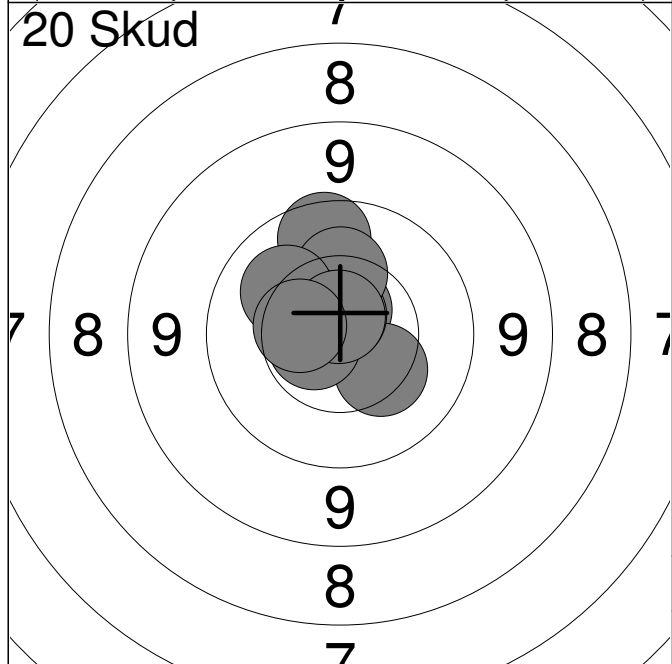
1:	9.9	↓
2:	10.1	↓
3:	10.1	↙
4:	10.3	↑
5:	10.8x	↑
6:	9.8	↑
7:	9.6	↓
8:	10.3	↑
9:	10.2	↘
10:	9.9	↗
Serie		96.0
Total		96.0



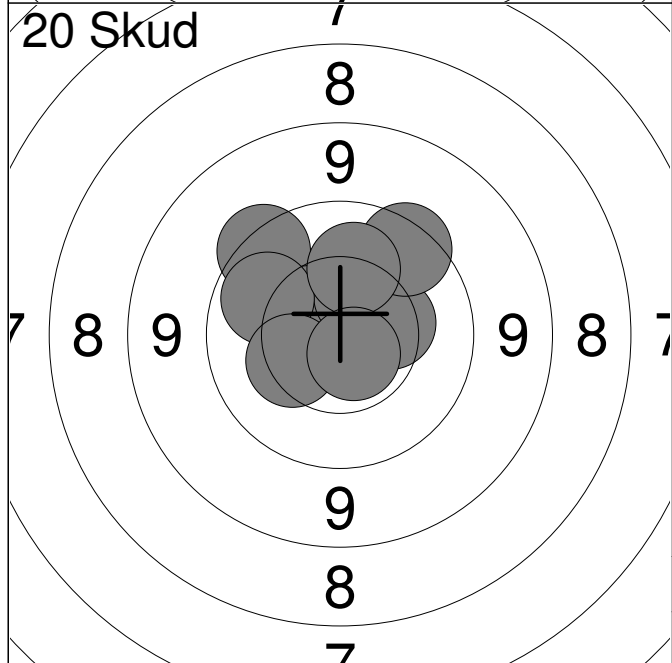
11:	10.6x	↗
12:	10.0	↗
13:	10.1	↙
14:	10.9x	↗
15:	9.8	↗
16:	10.0	↗
17:	10.0	↗
18:	9.7	→
19:	9.9	↙
20:	9.8	↑
Serie		96.0
Total		192.0



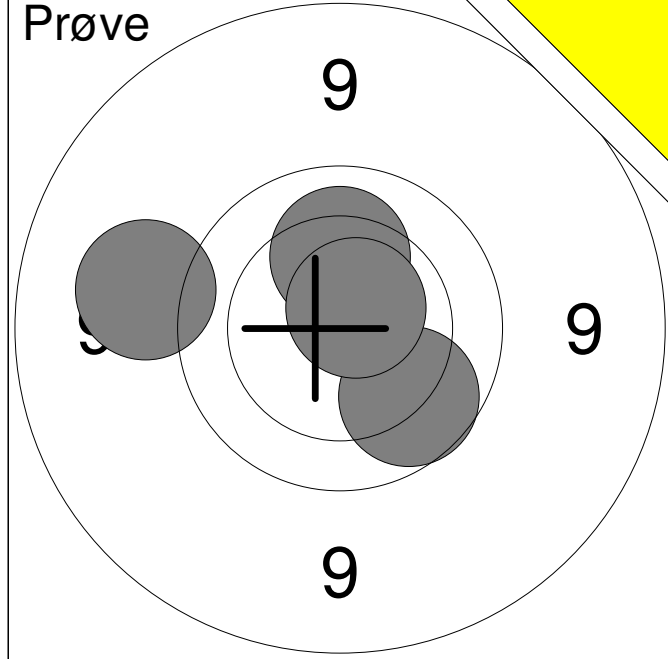
1:	10.3	↙
2:	9.3	→
3:	9.8	→
4:	9.7	→
5:	9.5	→
6:	10.6x	↑
7:	10.5	↗
8:	10.0	↑
9:	10.1	↑
10:	10.7x	↙
Serie		96.0
Total		0.0



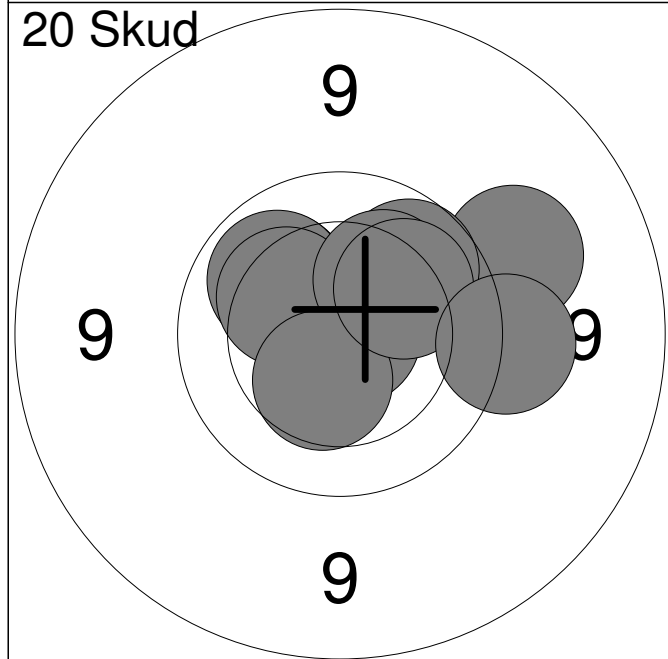
1:	10.7x	↑
2:	10.3	↘
3:	10.7x	↑
4:	10.6x	↙
5:	9.8	↑
6:	10.3	↑
7:	10.5	↗
8:	10.2	↗
9:	10.7x	↑
10:	10.5	↙
Serie		99.0
Total		99.0



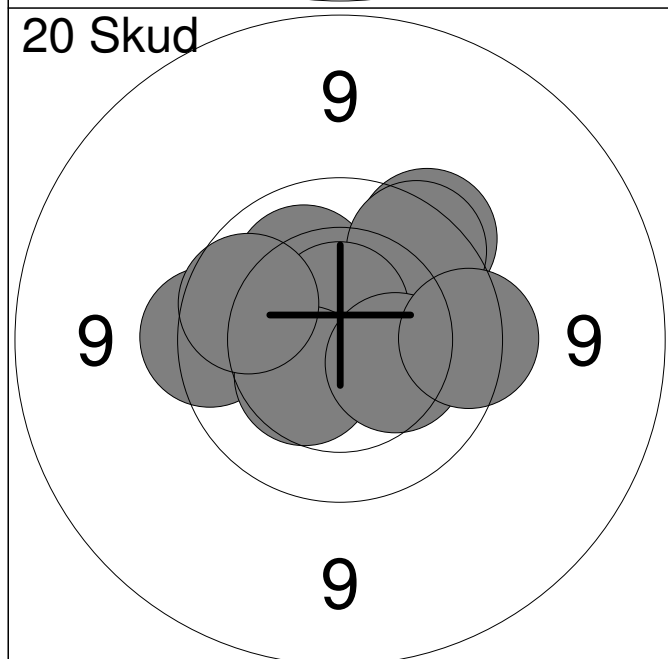
11:	10.8x	→
12:	9.6	↗
13:	10.5	↗
14:	10.4	↑
15:	10.0	↙
16:	10.4	→
17:	10.3	↙
18:	9.7	↗
19:	10.2	↑
20:	10.7x	↘
Serie		98.0
Total		197.0



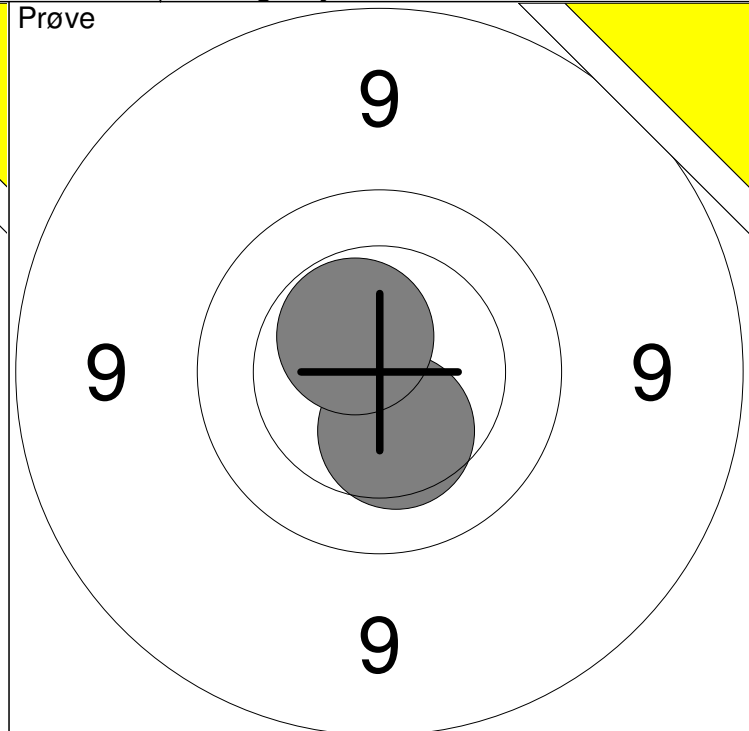
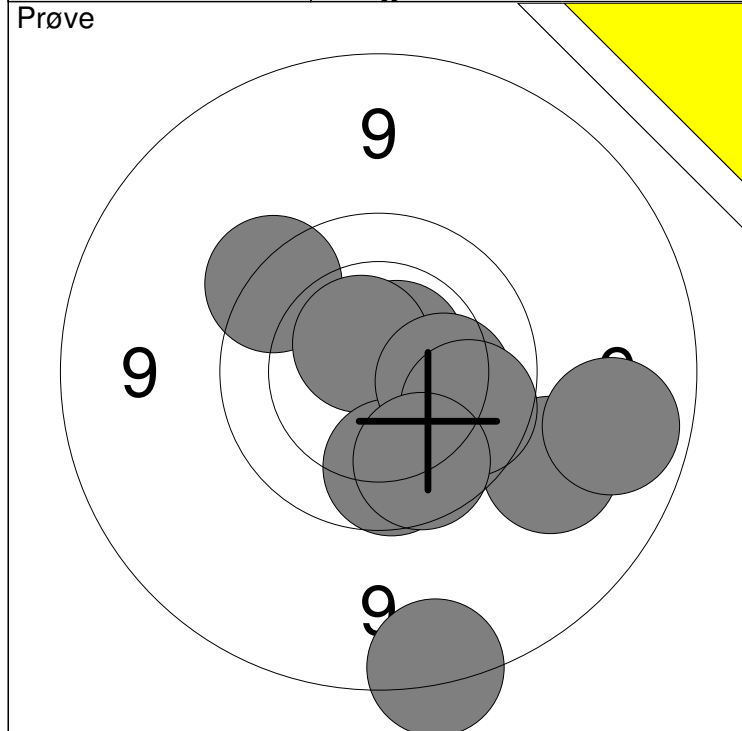
	1:	10.2	↑
	2:	9.3	←
	3:	9.9	↘
	4:	10.7x	↗
Serie			38.0
Total			0.0



	1:	9.4	↗
	2:	10.1	↗
	3:	10.8x	→
	4:	10.1	↗
	5:	10.2	↗
	6:	9.9	↗
	7:	10.2	↗
	8:	10.4	↘
	9:	10.1	↗
	10:	9.5	→
Serie			97.0
Total			97.0

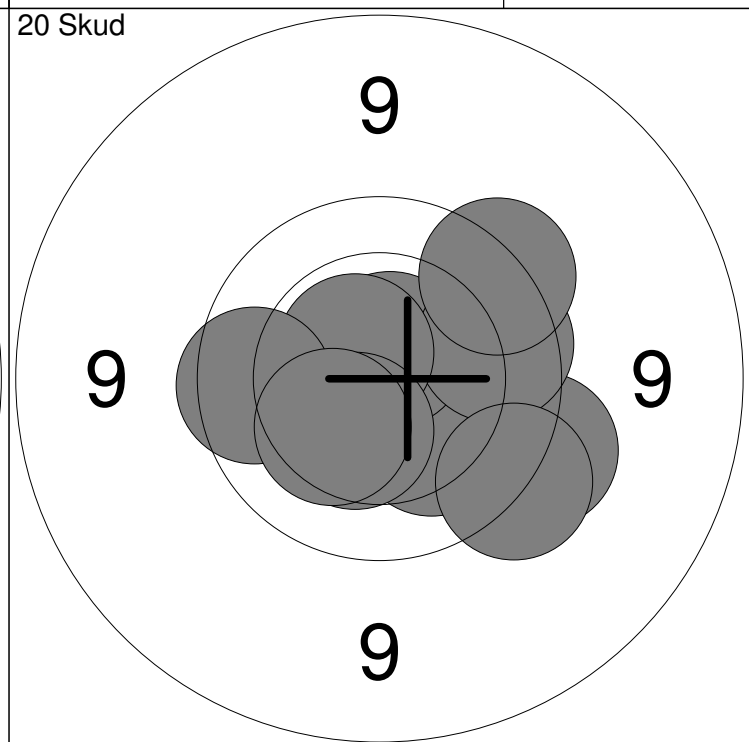
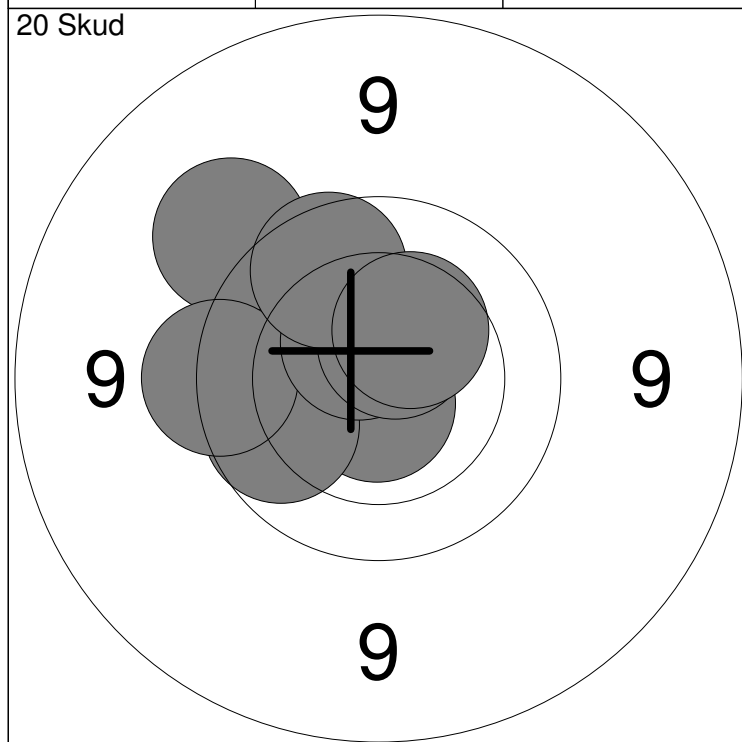


	11:	10.1	←
	12:	9.7	↗
	13:	9.7	←
	14:	10.1	↗
	15:	9.8	↗
	16:	10.6x	↑
	17:	10.4	↘
	18:	10.3	↘
	19:	9.7	→
	20:	9.9	←
Serie			95.0
Total			192.0



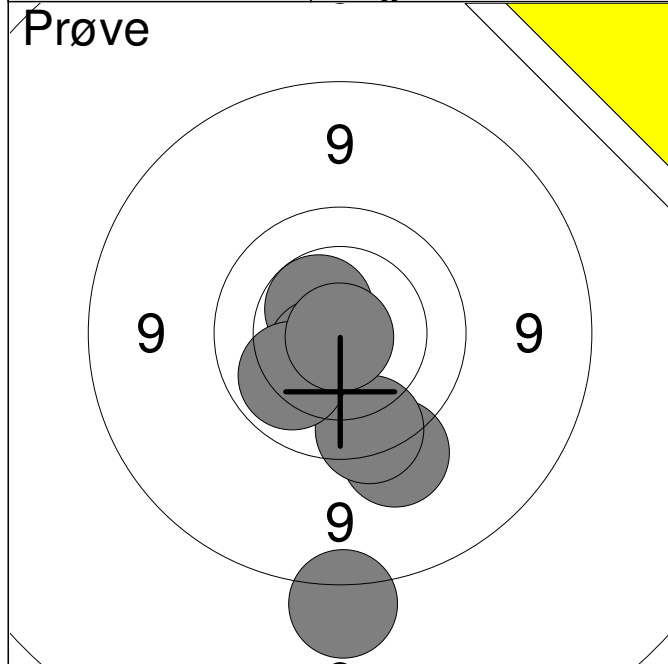
1: 9.7 ↗	6: 8.7 ↓	Serie	92
2: 10.6x ↗	7: 9.9 ↓		
3: 10.6x ↗	8: 10.2 →	Total	0
4: 9.3 ↓	9: 9.9 ↘		
5: 9.0 ↘	10: 9.9 ↓		

11: 10.4 ↓	Serie	20
12: 10.5x ↗		
Total		0

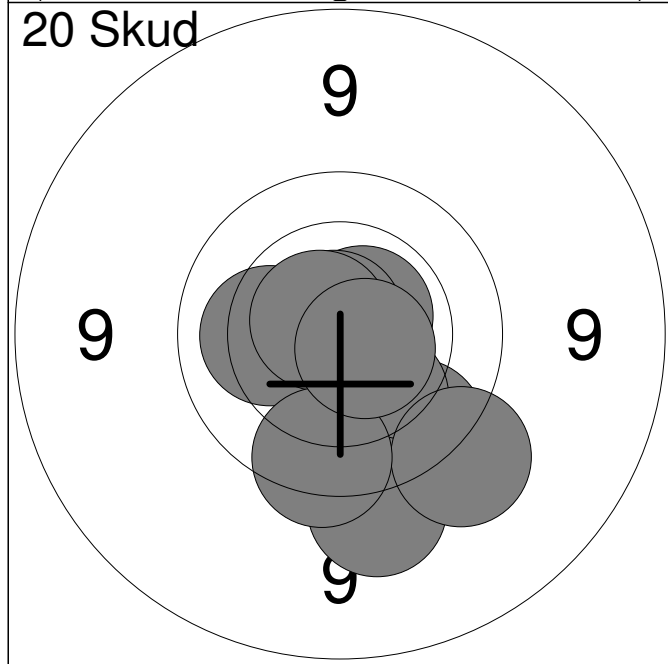


1: 10.5 ←	6: 9.6 ←	Serie	96
2: 10.7x ↗	7: 10.5x ↗		
3: 10.7x ↓	8: 10.6x ↗	Total	96
4: 9.9 ←	9: 9.9 ↗		
5: 9.4 ↗	10: 10.4 ↗		

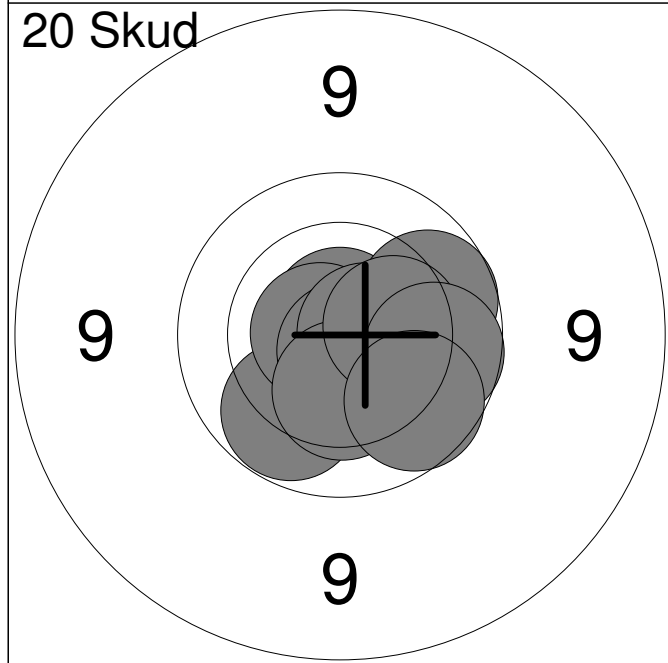
11: 10.2 ↓	16: 10.6x ↗	Serie	95
12: 10.7x ↗	17: 9.8 ←		
13: 9.6 →	18: 9.7 ↗	Total	191
14: 9.9 →	19: 10.4 ↓		
15: 9.6 ↓	20: 10.3 ↘		



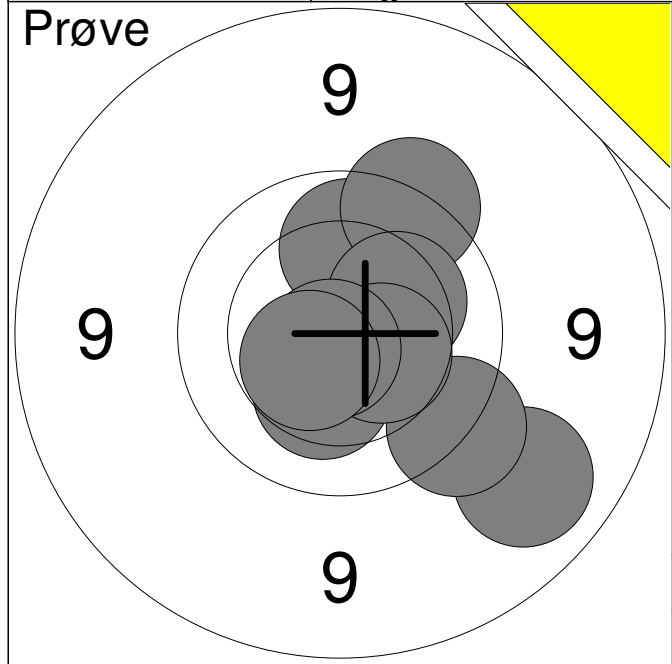
1:	8.6	↓
2:	9.5	↓
3:	10.5x	↗
4:	10.6x	↖
5:	9.7	↓
6:	10.1	↖
7:	10.9x	↓
Serie		66.0
Total		0.0



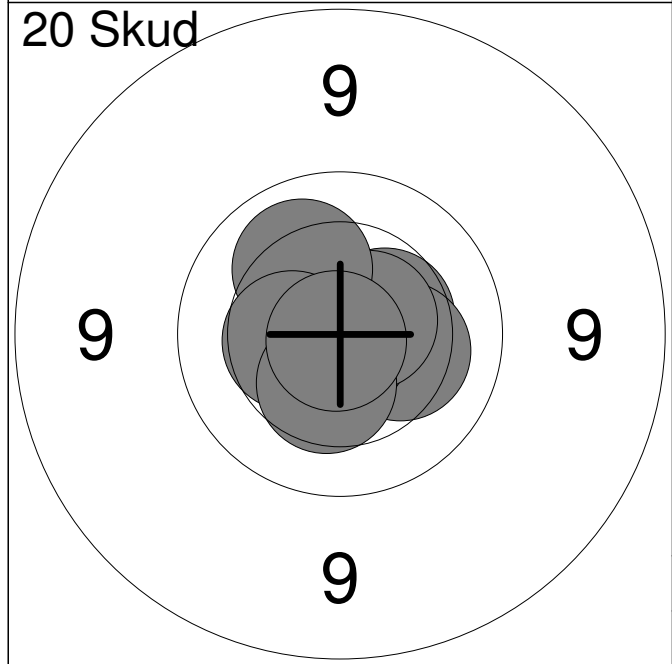
1:	9.8	↓
2:	10.6x	↗
3:	10.1	↓
4:	9.4	↓
5:	10.2	←
6:	10.8x	↗
7:	9.5	↓
8:	10.7x	↗
9:	9.8	↓
10:	10.6x	↘
Serie		96.0
Total		96.0



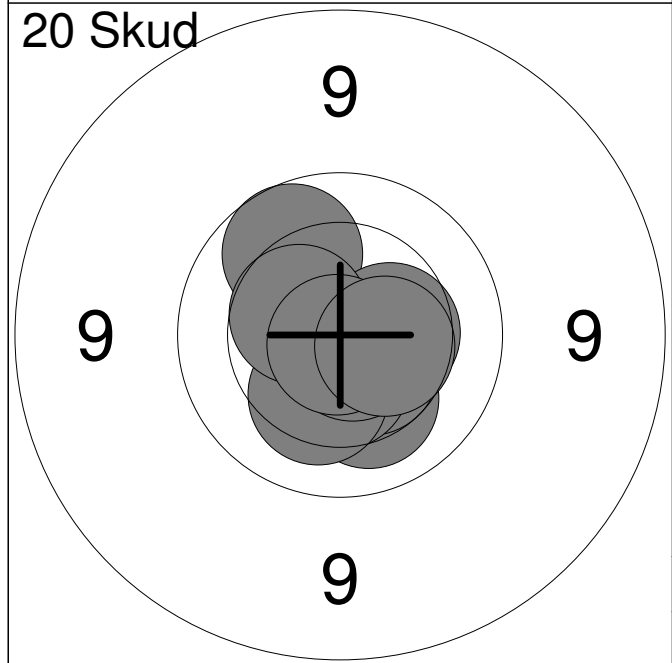
11:	10.8x	↑
12:	10.0	↘
13:	10.7x	←
14:	10.8x	↓
15:	9.9	↗
16:	10.7x	→
17:	10.4	↓
18:	10.4	→
19:	9.9	→
20:	9.9	↘
Serie		97.0
Total		193.0



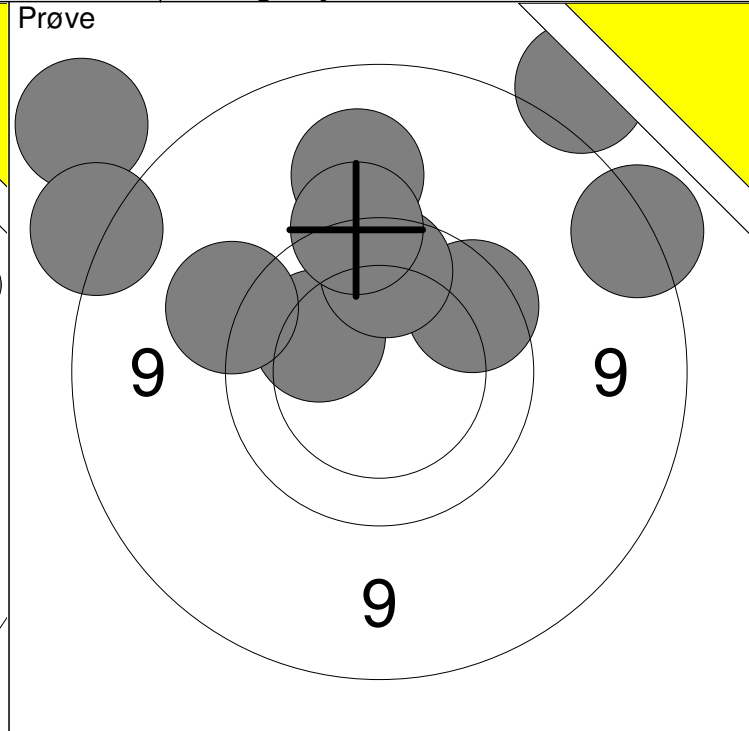
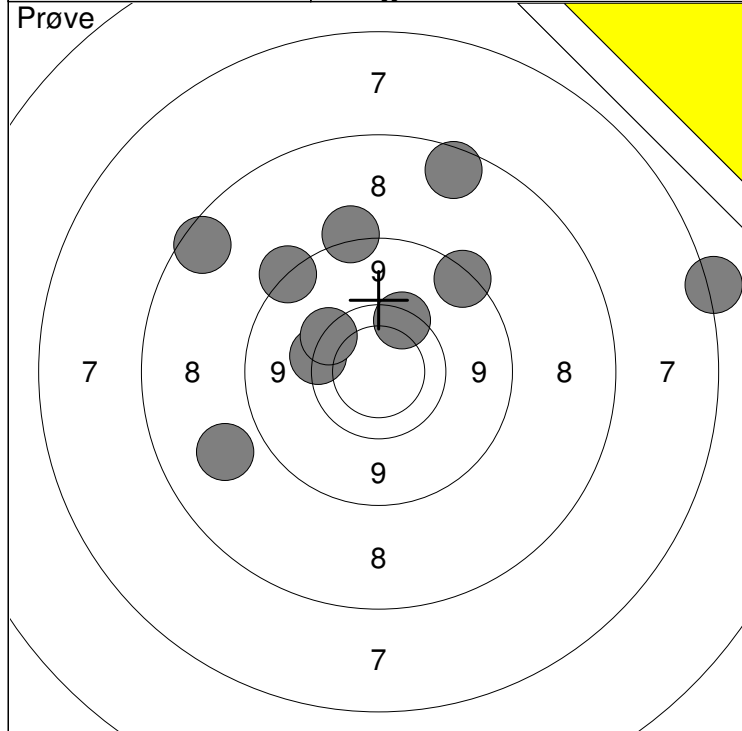
1:	9.1	↘
2:	9.6	↘
3:	10.3	↓
4:	10.0	↑
5:	9.6	↗
6:	10.2	→
7:	10.4	↘
8:	10.8x	↓
9:	10.5x	↙
Serie		87.0
Total		0.0



1:	10.4	→
2:	10.8x	↗
3:	10.8x	↗
4:	10.3	→
5:	10.8x	↓
6:	10.6x	→
7:	10.1	↗
8:	10.4	←
9:	10.4	↓
10:	10.9x	↙
Serie		100.0
Total		100.0

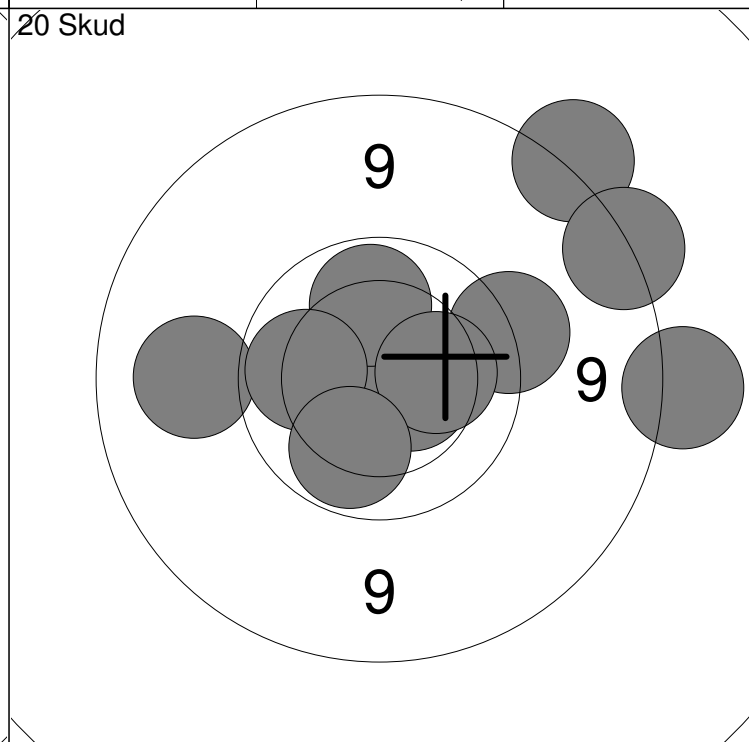
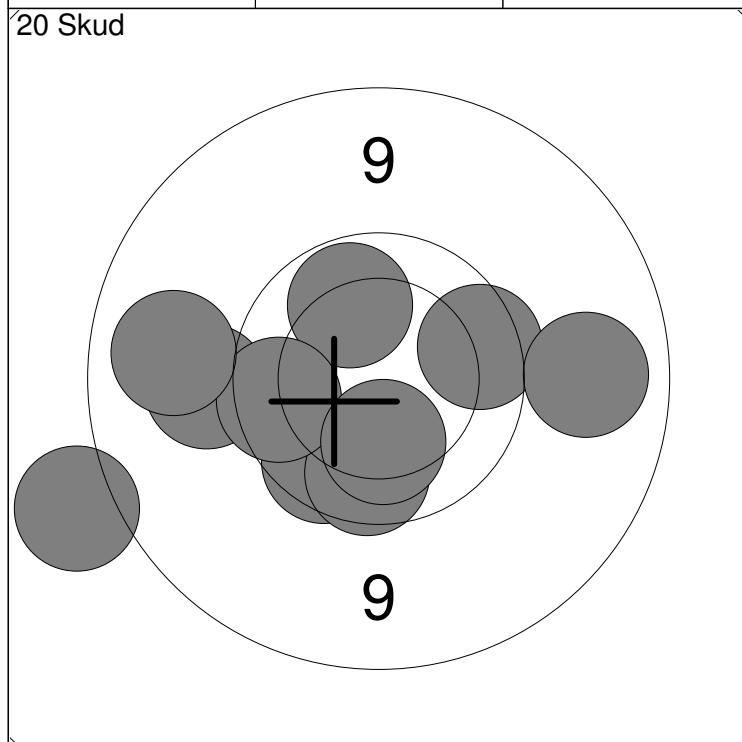


11:	10.2	↘
12:	10.5x	↘
13:	9.9	↗
14:	10.5	↓
15:	10.4	→
16:	10.3	↙
17:	10.7x	↙
18:	10.5	↗
19:	10.8x	↓
20:	10.5	→
Serie		99.0
Total		199.0



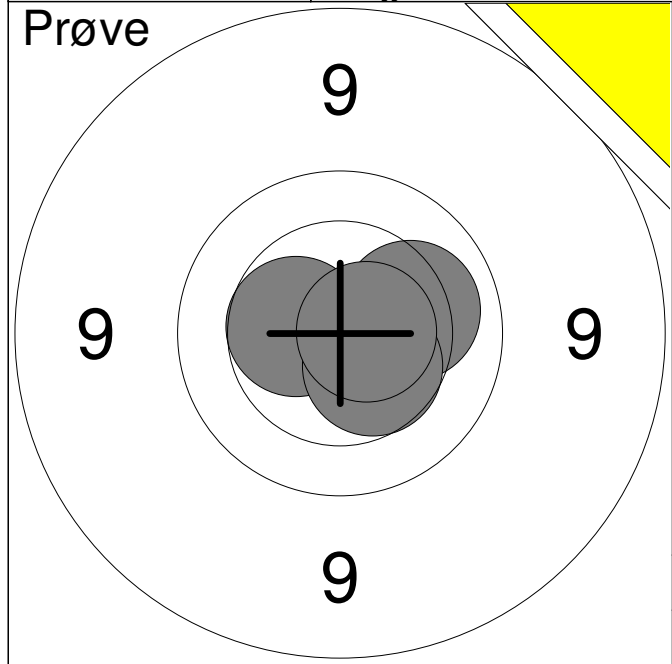
1: 7.9 ↗	6: 8.3 ↖	Serie	79
2: 8.6 ↗	7: 6.6 →		
3: 7.9 ↖	8: 9.6 ↖	Total	0
4: 9.6 ↖	9: 8.8 ↗		
5: 8.7 ↗	10: 9.7 ↗		

11: 8.3 ↗	16: 8.5 ↗	Serie	87
12: 10.1 ↖	17: 9.8 ↗		
13: 9.2 ↗	18: 9.9 ↗	Total	0
14: 8.6 ↖	19: 8.7 ↗		
15: 9.5 ↖	20: 9.6 ↗		

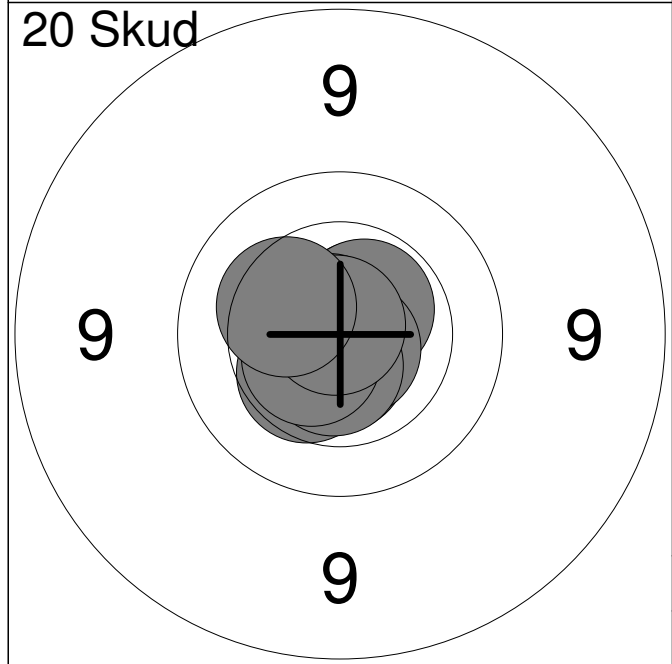


1: 10.0 ↗	6: 10.2 ↓	Serie	91
2: 9.3 ↖	7: 9.8 →		
3: 9.8 ↘	8: 9.1 →	Total	91
4: 9.9 ↓	9: 8.5 ↖		
5: 9.8 ↖	10: 9.1 ↖		

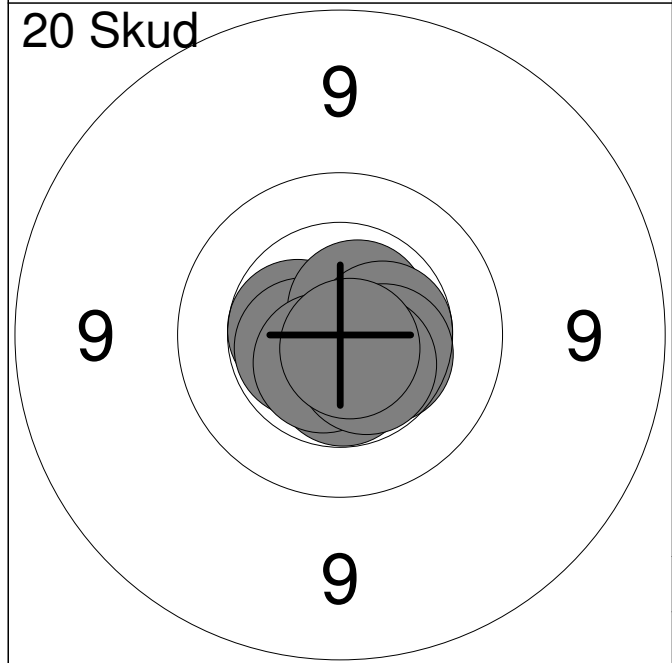
11: 10.5x →	16: 10.2 →	Serie	92
12: 9.2 ↖	17: 10.0 ↖		
13: 9.6 →	18: 8.7 ↗	Total	183
14: 8.6 ↗	19: 8.6 →		
15: 10.0 ↗	20: 10.0 ↓		



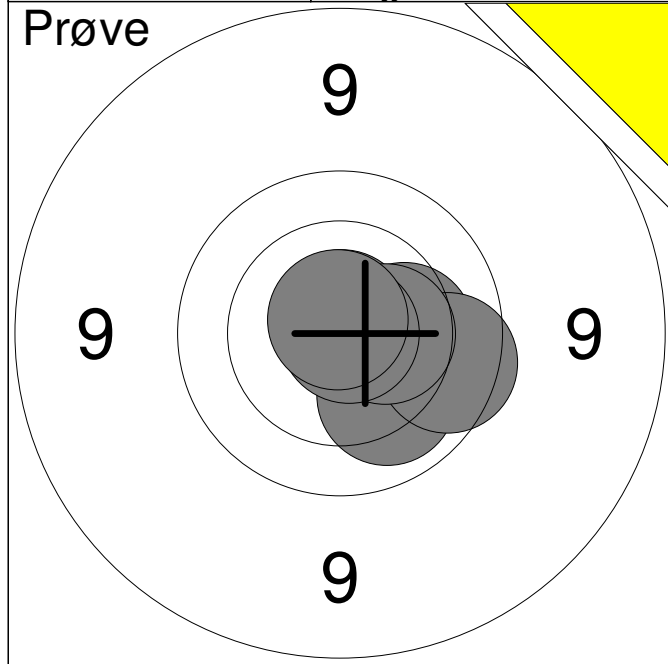
	1:	10.2	→
	2:	10.5	←
	3:	10.5	↘
	4:	10.7x	→
Serie			40.0
Total			0.0



	1:	10.6x	↗
	2:	10.6x	↗
	3:	10.6x	↓
	4:	10.4	↙
	5:	10.8x	↘
	6:	10.8x	↗
	7:	10.6x	↓
	8:	10.6x	↙
	9:	10.8x	↗
	10:	10.3	↖
Serie			100.0
Total			100.0

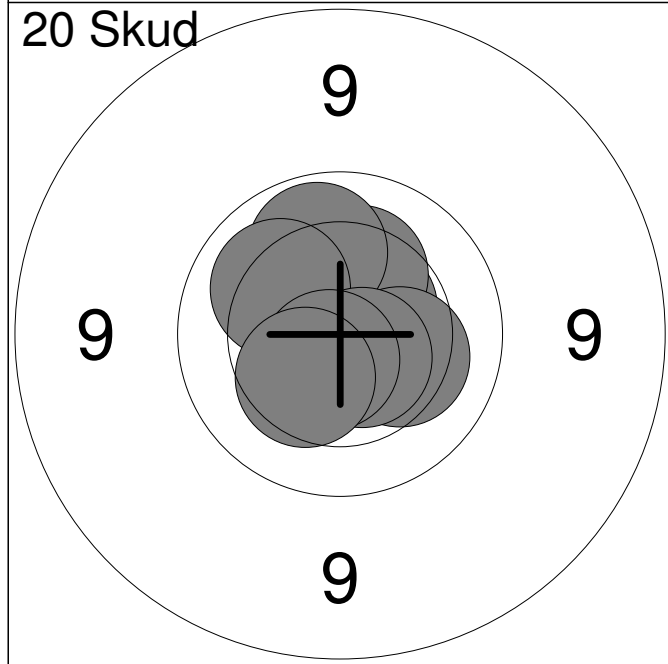


	11:	10.7x	↘
	12:	10.5	←
	13:	10.5x	←
	14:	10.6x	↗
	15:	10.5x	→
	16:	10.5x	↓
	17:	10.6x	↙
	18:	10.4	↘
	19:	10.5x	↘
	20:	10.8x	↘
Serie			100.0
Total			200.0



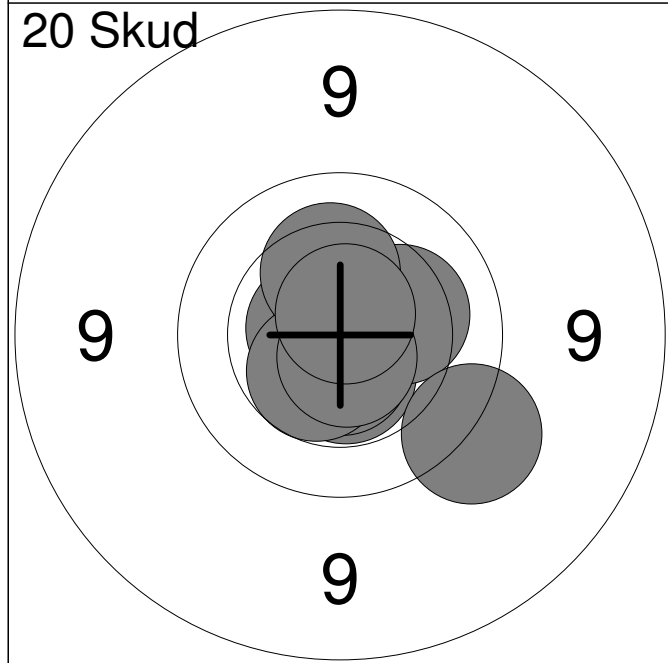
1:	10.3	→
2:	10.4	→
3:	10.1	↘
4:	9.8	→
5:	10.8x	↑
6:	10.5	→
7:	10.9x	→
8:	10.8x	↑

Serie	79.0
Total	0.0



1:	10.6x	↗
2:	10.7x	↓
3:	10.8x	↘
4:	10.3	↑
5:	10.0	↑
6:	10.3	↘
7:	10.1	↗
8:	10.6x	↘
9:	10.7x	↘
10:	10.3	↘

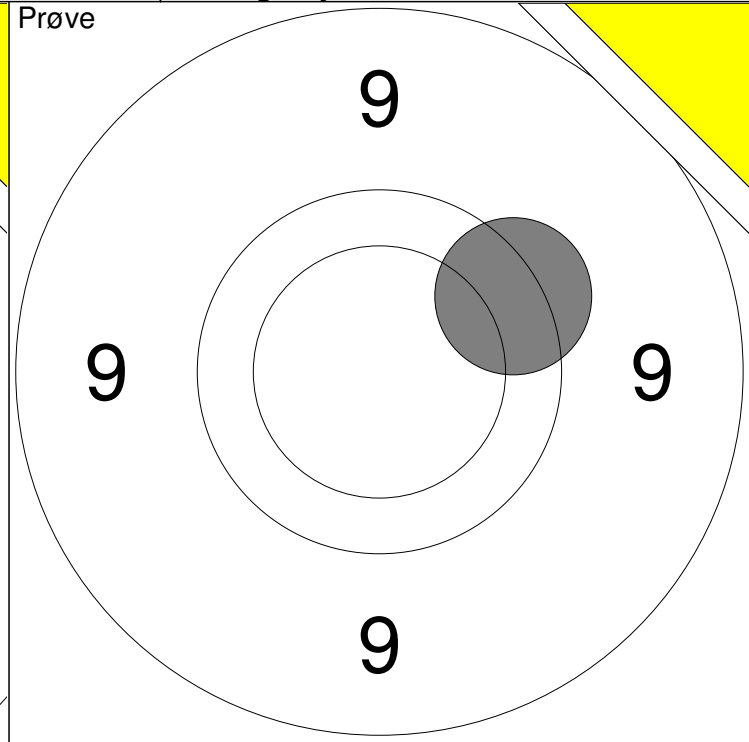
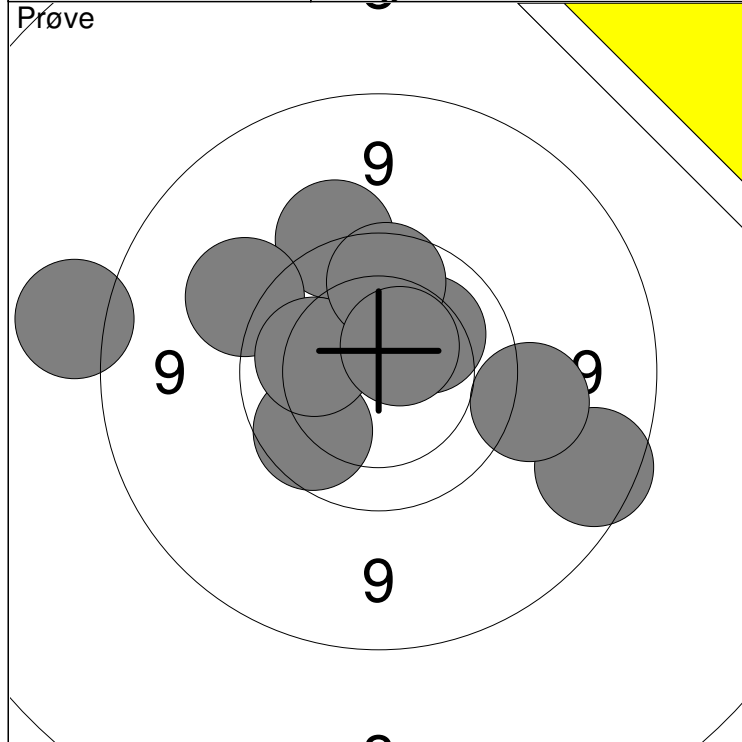
Serie	100.0
Total	100.0



11:	10.5x	↓
12:	10.6x	↓
13:	10.3	→
14:	10.7x	←
15:	9.5	↘
16:	10.8x	↑
17:	10.5	↘
18:	10.3	↑
19:	10.7x	↘
20:	10.7x	↑

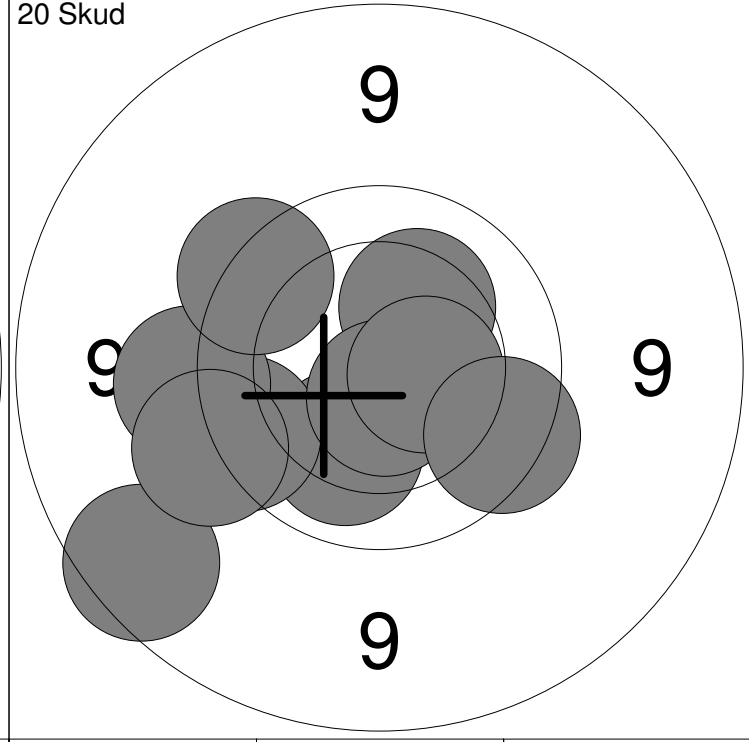
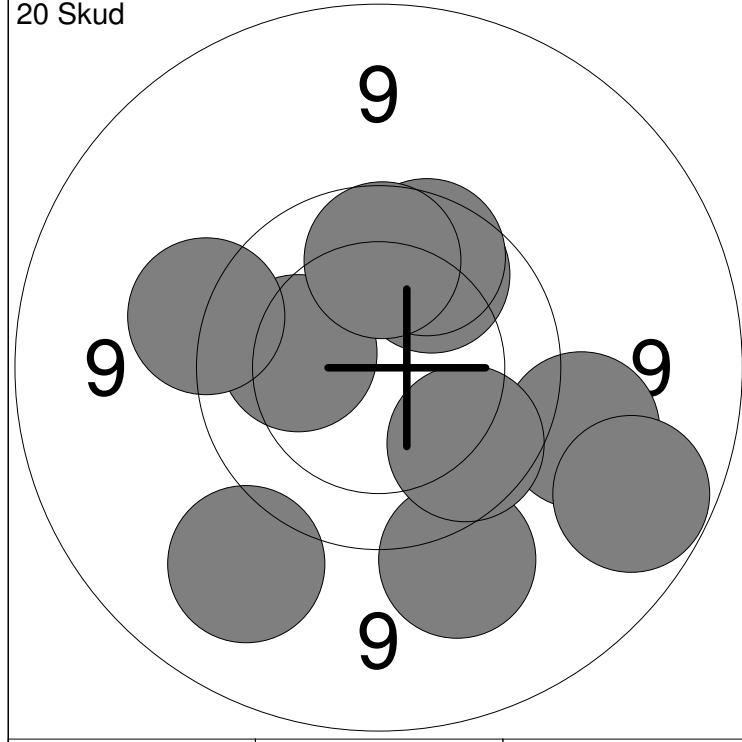
Serie	99.0
Total	199.0

Hold	Skive	Jens Niss	
4	4	Mou & Omegns Skf.	VÅ2
AAS		Nordjysk Mesterskab senior 2016	Aalborg Skyttekreds
Prøve 	1:	9.6	→
	2:	9.0	→
	3:	9.6	↘
	4:	9.3	→
	5:	10.5x	↘
	6:	10.3	→
	7:	10.6x	↗
	8:	10.8x	↙
	9:	9.9	←
	10:	10.0	→
	Serie		95.0
Total		0.0	
20 Skud 	1:	10.3	→
	2:	10.2	↘
	3:	10.1	↗
	4:	10.5x	←
	5:	10.1	↑
	6:	9.9	↗
	7:	10.4	↗
	8:	10.0	→
	9:	9.9	↘
	10:	10.2	←
	Serie		98.0
Total		98.0	
20 Skud 	11:	9.8	→
	12:	10.3	↗
	13:	10.7x	↘
	14:	10.6x	↗
	15:	9.7	↘
	16:	9.3	↘
	17:	10.2	↘
	18:	10.3	→
	19:	10.2	↙
	20:	10.5x	↗
	Serie		97.0
Total		195.0	



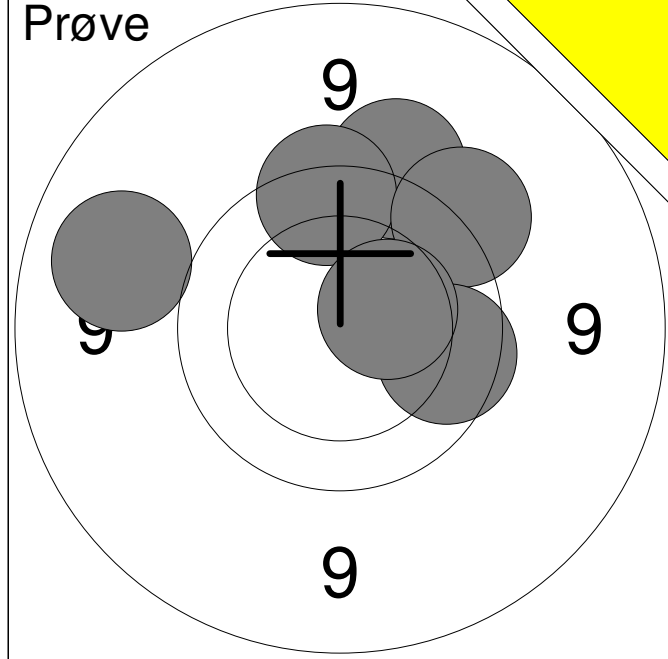
1: 10.2 ↗	6: 10.1 ←	Serie	91
2: 9.5 ↑	7: 8.9 →		
3: 8.5 ←	8: 9.9 ↑	Total	0
4: 9.4 ↖	9: 10.5x ↗		
5: 9.9 ↘	10: 9.4 →		

11: 9.7 ↗	Serie	9
	Total	0

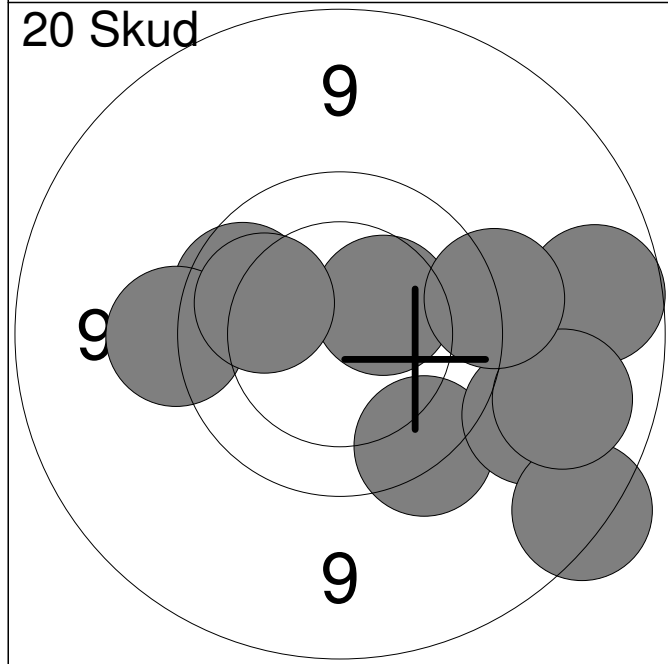


1: 9.9 ↗	6: 10.2 ←	Serie	91
2: 9.4 →	7: 9.9 ↑		
3: 9.0 ↘	8: 9.9 ↘	Total	91
4: 9.4 ↘	9: 9.5 ←		
5: 9.2 ↘	10: 9.9 ↑		

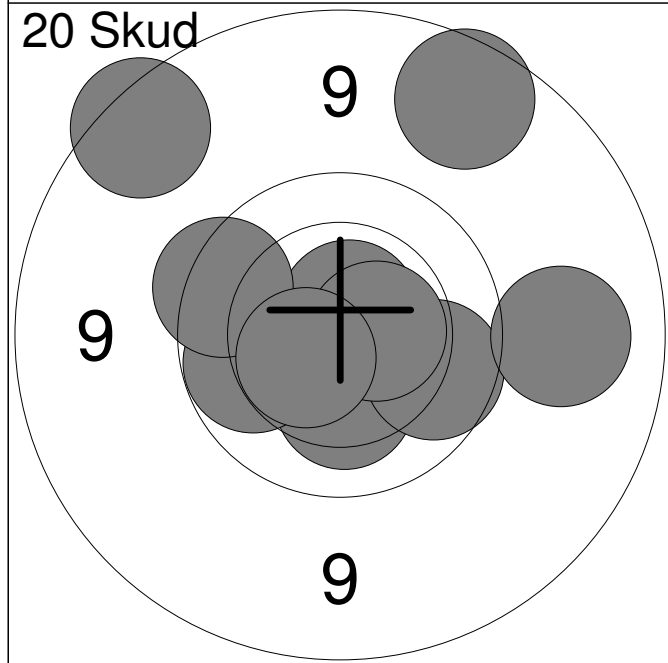
11: 10.3 ↗	16: 10.7x ↓	Serie	93
12: 8.9 ↖	17: 9.5 ←		
13: 10.1 ↘	18: 9.7 ↖	Total	184
14: 9.7 ←	19: 10.5x →		
15: 9.5 ←	20: 9.8 ↘		



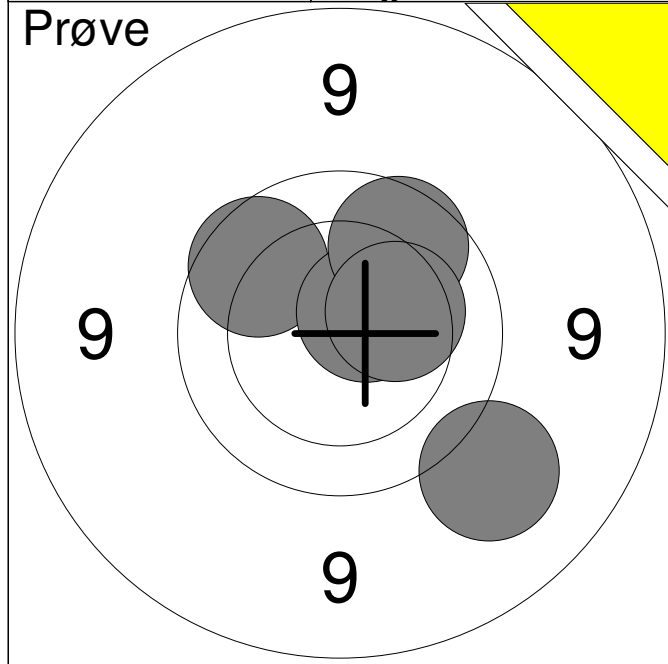
1:	9.5	↑
2:	9.1	←
3:	9.7	↑
4:	9.5	↗
5:	9.8	→
6:	10.4	↗
Serie		55.0
Total		0.0



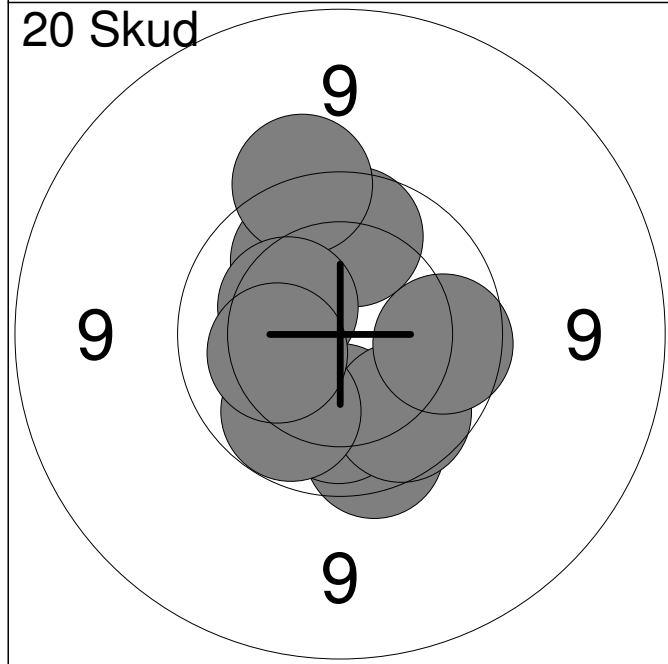
1:	9.7	↘
2:	9.9	↗
3:	8.9	→
4:	9.2	↘
5:	10.4	↗
6:	8.8	↘
7:	9.5	←
8:	10.1	↗
9:	9.1	→
10:	9.5	→
Serie		90.0
Total		90.0



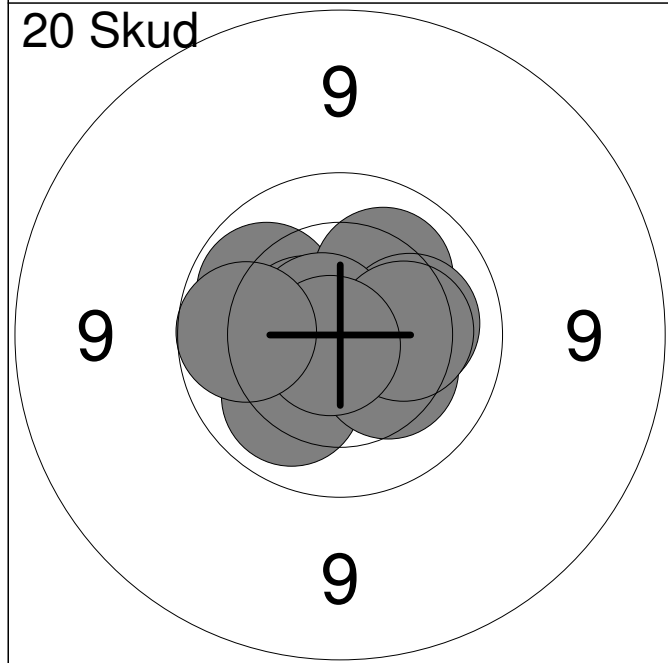
11:	10.3	↓
12:	10.7x	↑
13:	9.9	↘
14:	8.8	↗
15:	8.9	↗
16:	10.0	←
17:	9.7	↗
18:	9.2	→
19:	10.6x	→
20:	10.5x	↙
Serie		93.0
Total		183.0



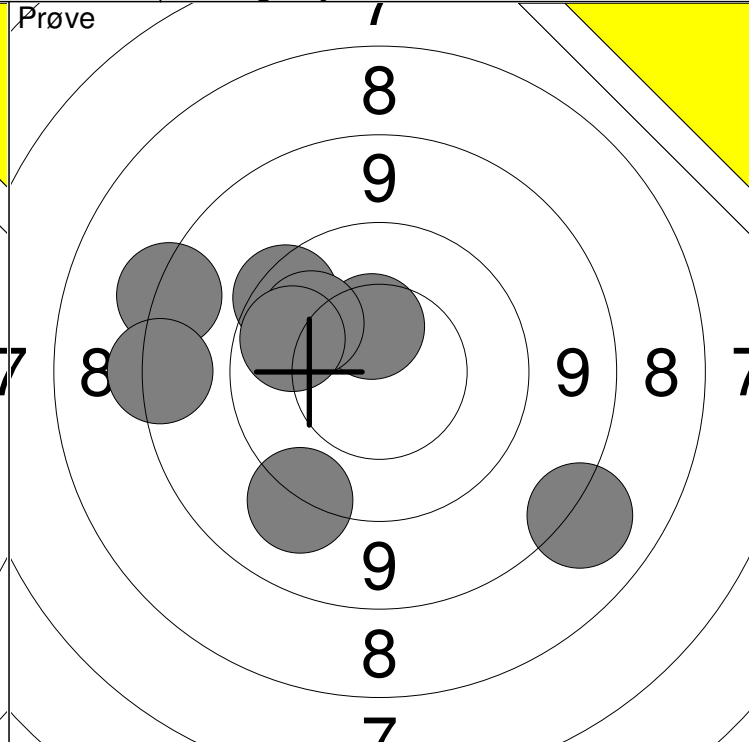
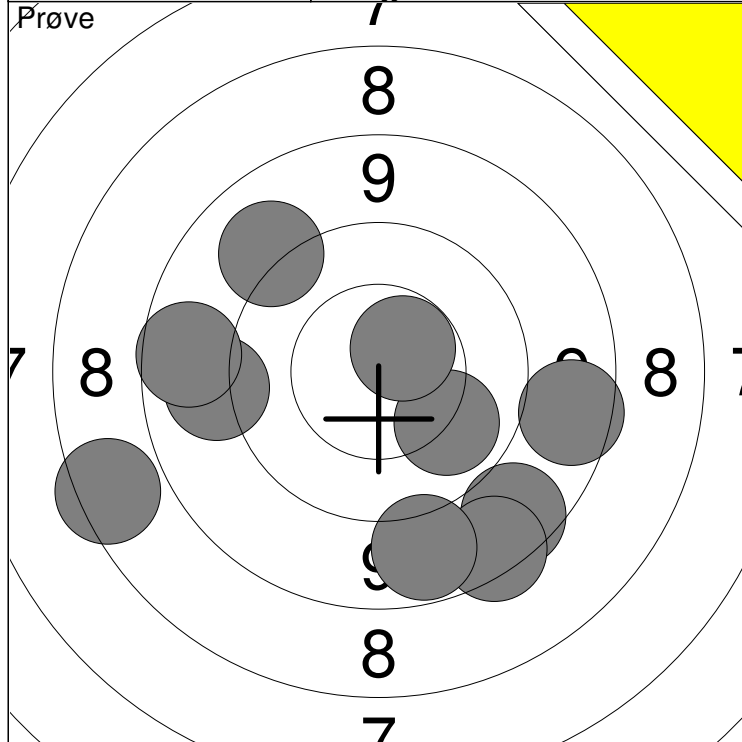
1:	9.9	↗
2:	9.3	↘
3:	10.6x	↗
4:	9.9	↗
5:	10.3	→
Serie		47.0
Total		0.0



1:	10.1	↗
2:	9.8	↘
3:	9.9	↗
4:	9.6	↗
5:	10.1	↘
6:	9.9	↘
7:	10.0	↘
8:	9.9	→
9:	10.3	↗
10:	10.2	↖
Serie		95.0
Total		95.0

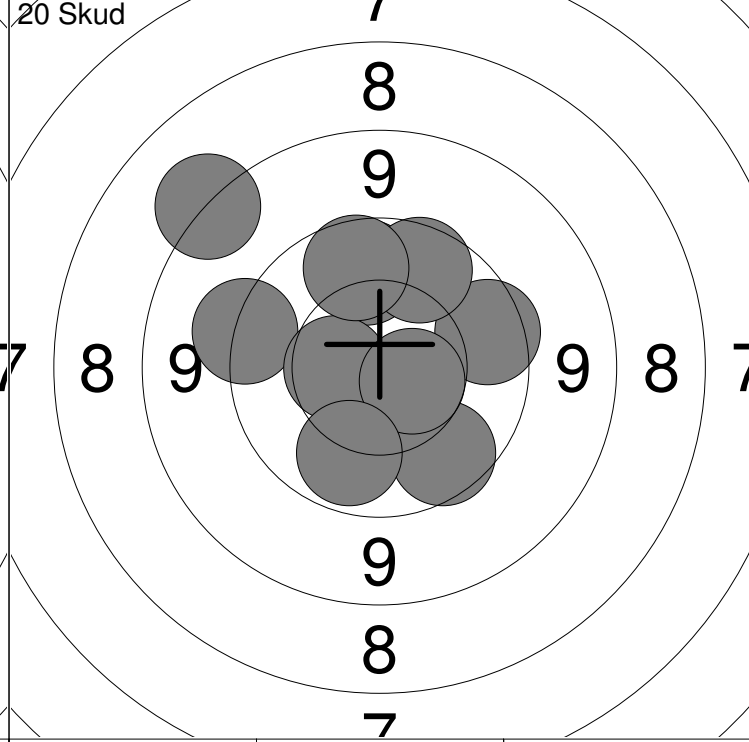
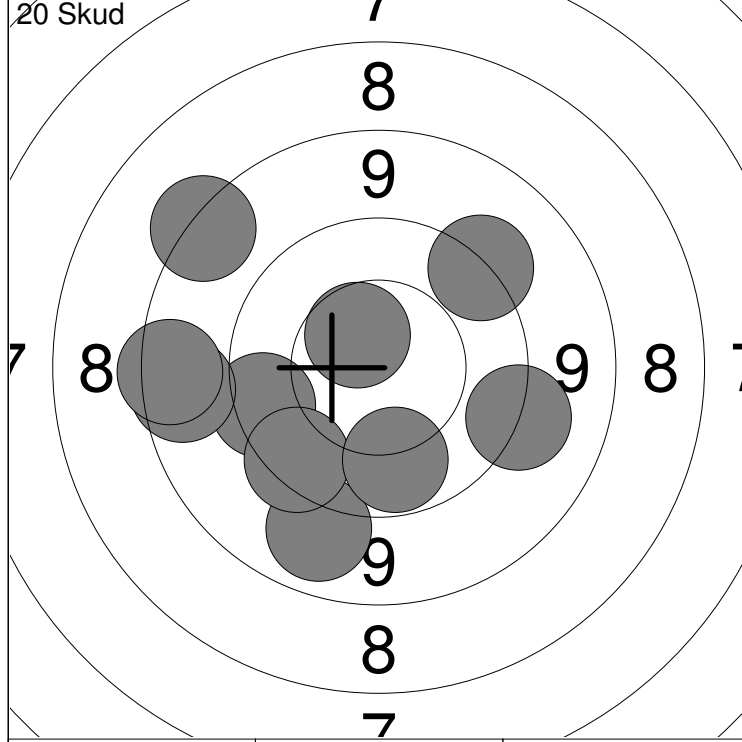


11:	10.0	↖
12:	10.2	↗
13:	10.1	↘
14:	10.6x	↖
15:	10.2	→
16:	10.7x	↗
17:	10.3	↘
18:	10.3	→
19:	10.8x	↘
20:	9.9	↖
Serie		99.0
Total		194.0



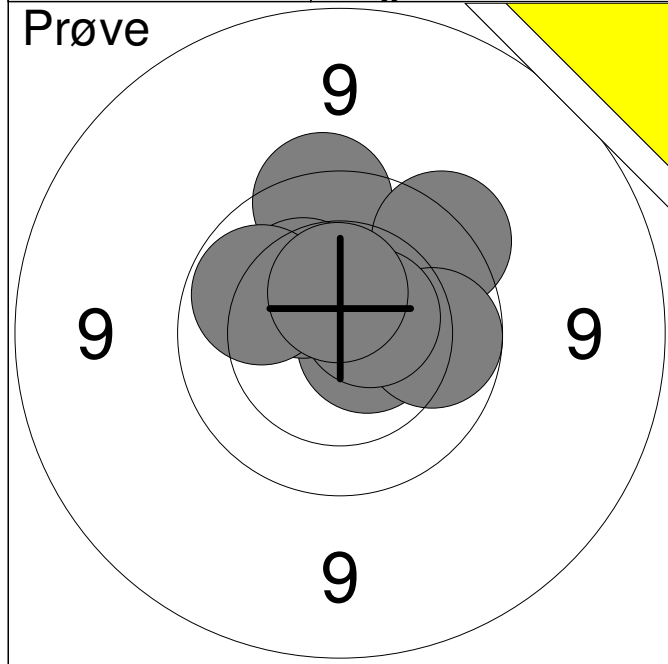
1: 8.8 →	6: 9.2 ↗	Serie	86
2: 8.8 ↓	7: 10.6x ↗		
3: 8.7 ↓	8: 9.2 ←	Total	0
4: 7.7 ←	9: 8.9 ←		
5: 10.1 ↓	10: 9.0 ↓		

11: 9.7 ↗	16: 8.6 ←	Serie	72
12: 9.3 ↓	17: 10.0 ↗		
13: 8.5 ←	18: 8.2 ↓	Total	0
14: 10.5 ↑			
15: 10.1 ↗			

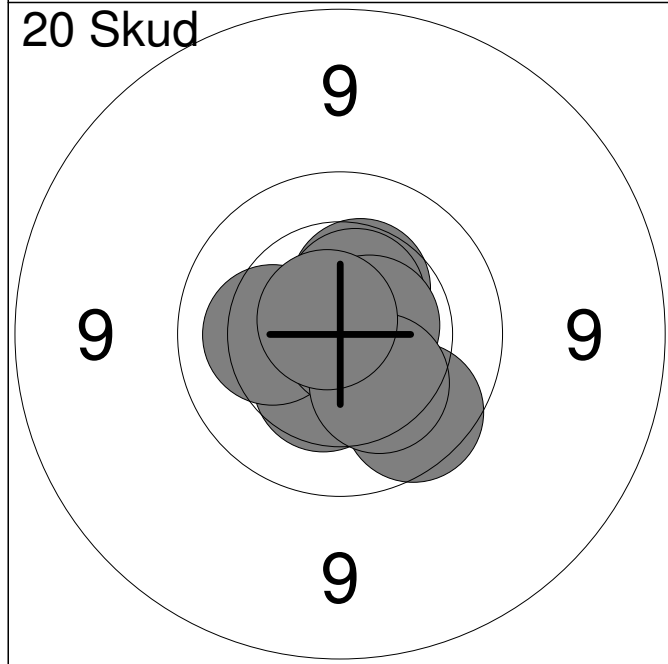


1: 9.1 ↓	6: 8.5 ↗	Serie	89
2: 9.7 ←	7: 9.4 →		
3: 8.8 ←	8: 10.0 ↓	Total	89
4: 9.6 ↓	9: 9.4 ↗		
5: 10.6 ↗	10: 8.7 ←		

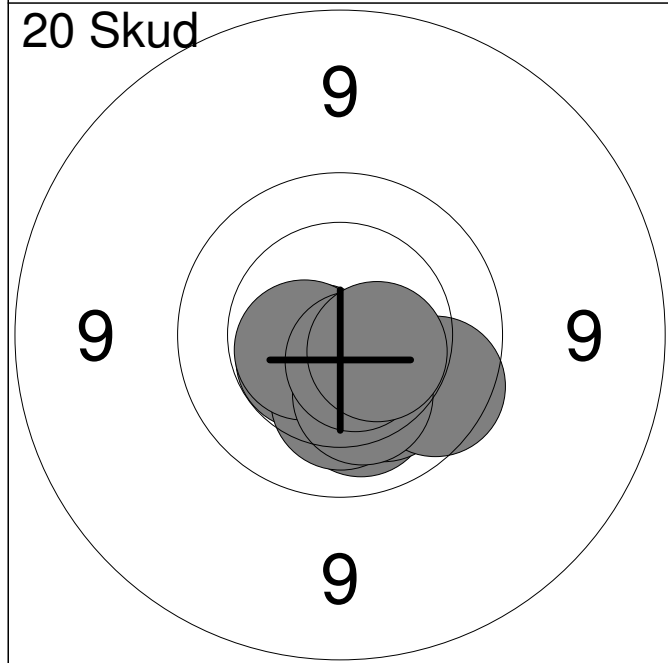
11: 9.5 ←	16: 8.4 ↗	Serie	93
12: 9.8 →	17: 9.9 ↗		
13: 9.8 ↓	18: 10.6x →	Total	182
14: 10.0 ↑	19: 10.0 ↓		
15: 10.5 ←	20: 9.9 ↑		



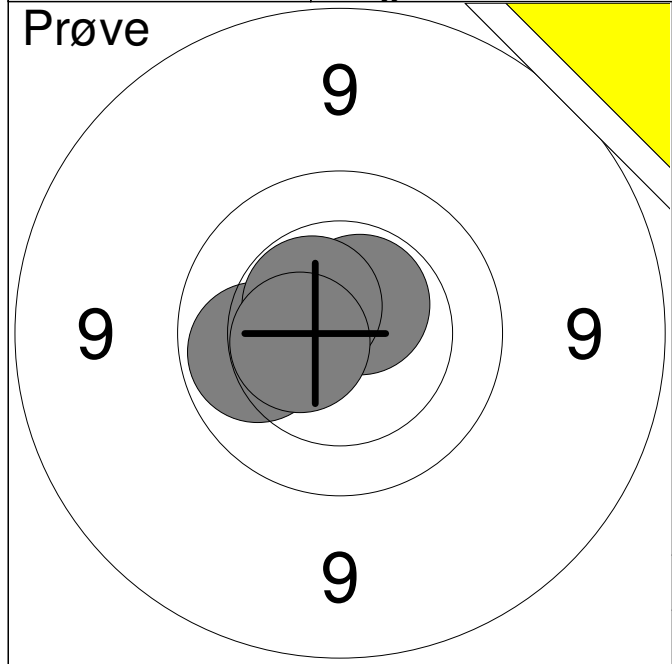
1:	9.7	↑
2:	9.7	↗
3:	10.6x	→
4:	10.0	→
5:	10.6x	↗
6:	10.3	↗
7:	10.0	↗
8:	10.5x	↑
Serie		78.0
Total		0.0



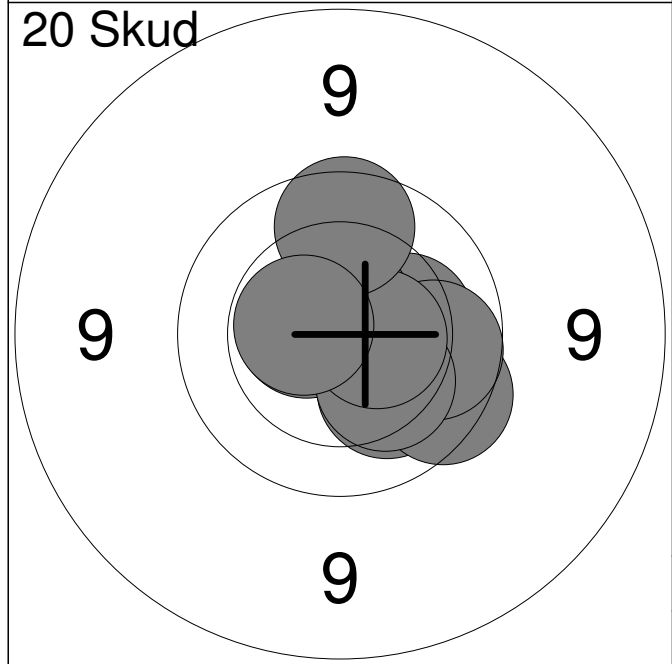
1:	10.4	↗
2:	10.4	↓
3:	10.2	←
4:	9.9	↓
5:	10.8x	→
6:	10.8x	↗
7:	10.5x	↗
8:	10.6x	→
9:	10.3	↓
10:	10.7x	↗
Serie		99.0
Total		99.0



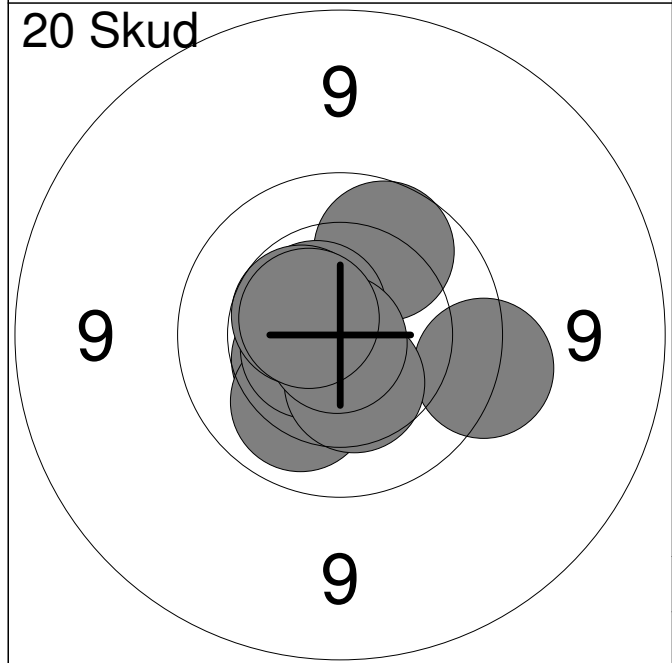
11:	10.1	↓
12:	10.5x	↖
13:	10.2	↓
14:	10.6x	↖
15:	10.2	↓
16:	9.9	↘
17:	10.5x	↖
18:	10.3	↓
19:	10.6x	↓
20:	10.5x	↘
Serie		99.0
Total		198.0



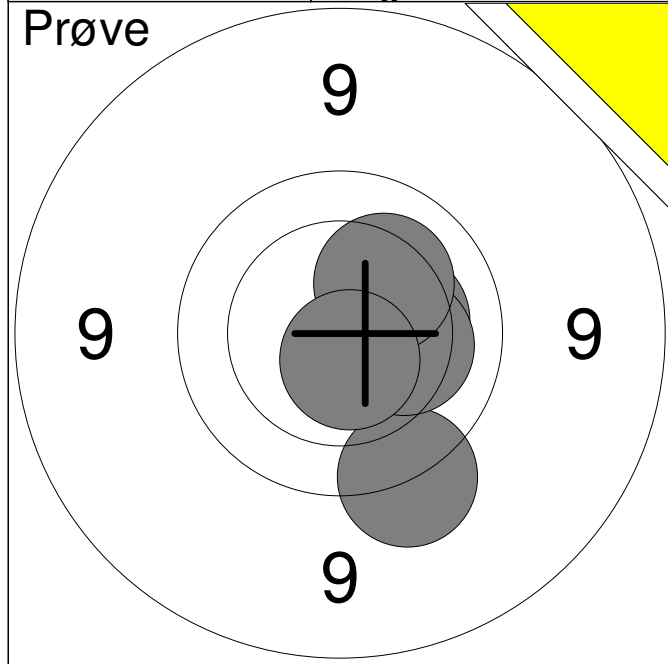
	1:	10.0	←
	2:	10.6x	↗
	3:	10.5x	↘
	4:	10.5x	←
Serie			40.0
Total			0.0



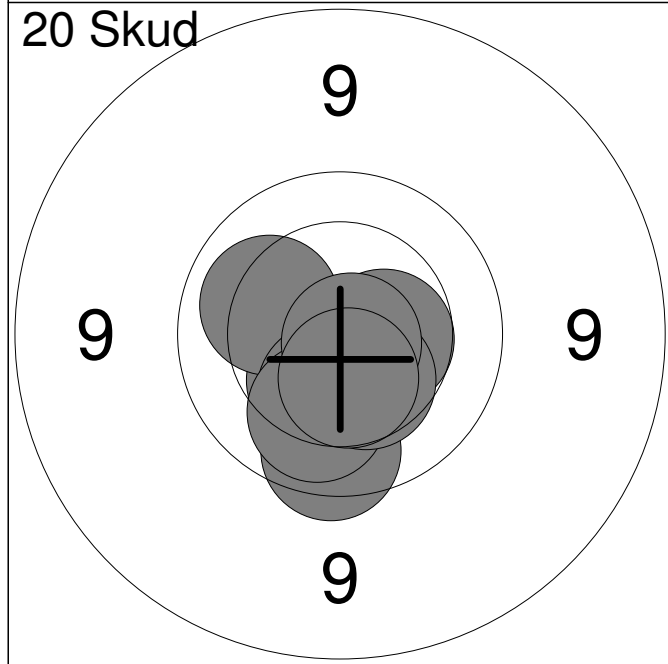
	1:	10.6x	←
	2:	10.2	→
	3:	10.2	↘
	4:	9.8	↘
	5:	10.7x	↑
	6:	9.9	→
	7:	10.2	↘
	8:	10.5x	→
	9:	9.9	↑
	10:	10.5x	←
Serie			97.0
Total			97.0



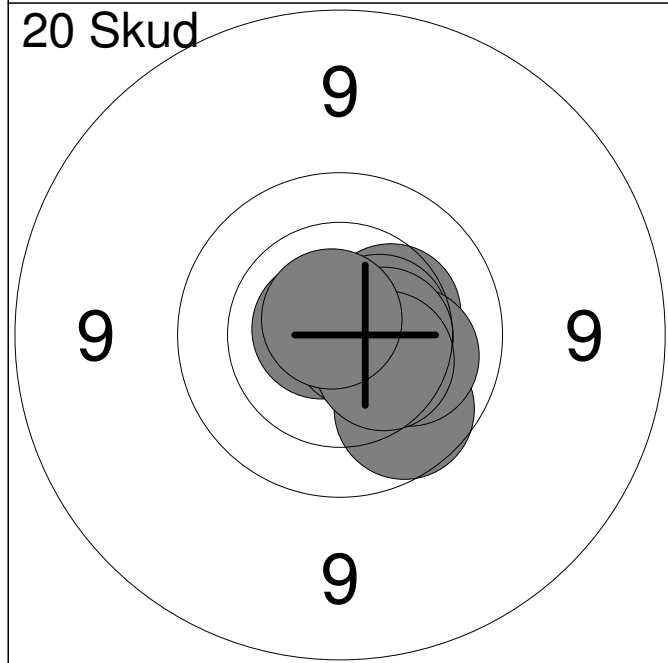
	11:	9.9	↗
	12:	10.6x	↗
	13:	10.5	←
	14:	10.1	↘
	15:	10.6x	←
	16:	9.6	→
	17:	10.5	↗
	18:	10.4	↘
	19:	10.9x	↘
	20:	10.6x	↗
Serie			98.0
Total			195.0



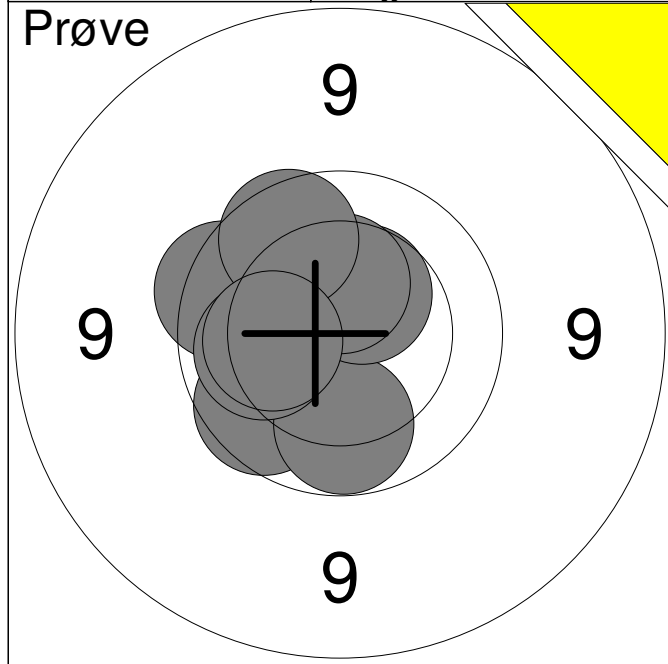
1:	9.5	↓
2:	10.3	→
3:	10.2	→
4:	10.2	↗
5:	10.6x	↓
Serie		49.0
Total		0.0



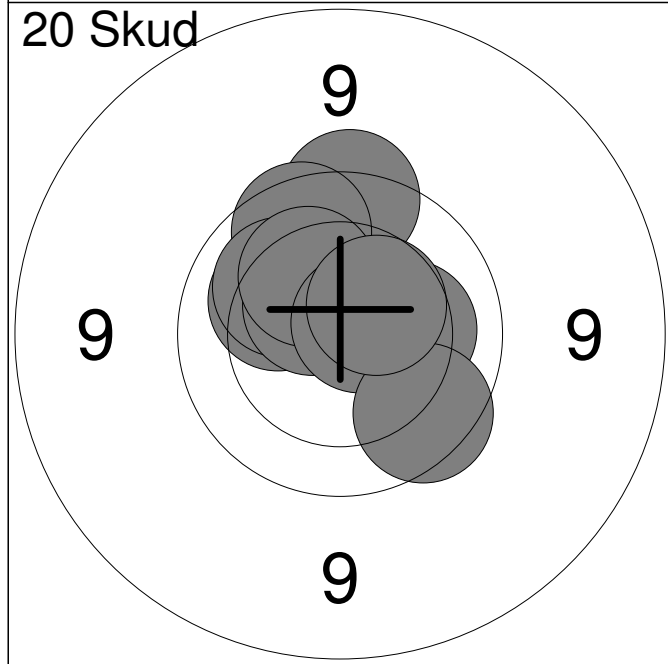
1:	10.4	↙
2:	9.8	↓
3:	10.6x	↓
4:	10.1	↖
5:	10.3	↓
6:	10.1	↓
7:	10.5	→
8:	10.4	↓
9:	10.8x	↙
10:	10.5	↓
Serie		99.0
Total		99.0



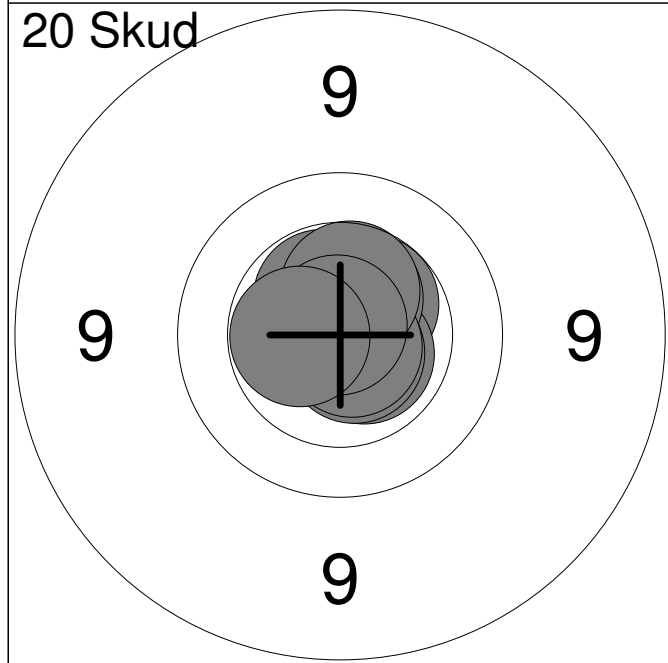
11:	10.7x	↖
12:	10.4	→
13:	10.5x	→
14:	9.9	↓
15:	10.2	→
16:	10.5x	↓
17:	10.7x	→
18:	10.5	→
19:	10.4	↙
20:	10.8x	↗
Serie		99.0
Total		198.0



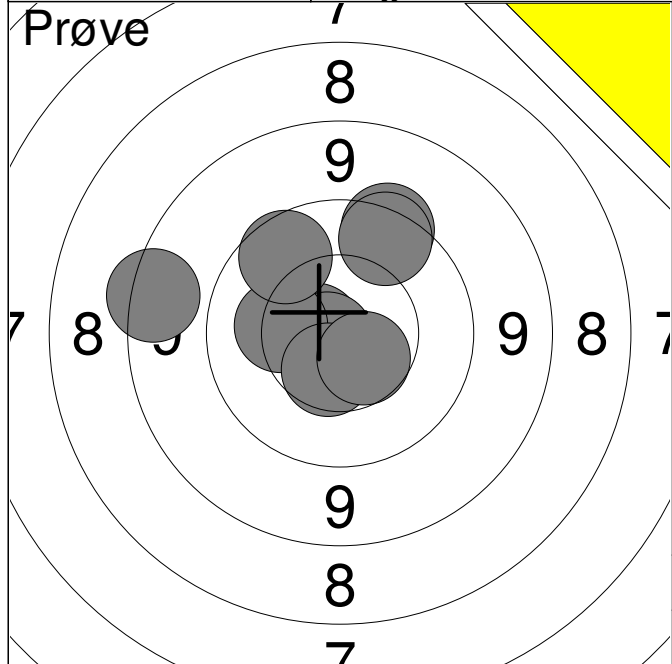
1:	9.9	↙
2:	10.0	↓
3:	9.8	↖
4:	10.5	↗
5:	10.4	↑
6:	9.9	↗
7:	10.1	↖
8:	10.2	←
Serie		77.0
Total		0.0



1:	10.2	↖
2:	9.7	↑
3:	9.8	↗
4:	10.2	↗
5:	10.5x	↗
6:	10.2	↗
7:	10.2	→
8:	10.7x	↗
9:	9.8	↘
10:	10.4	↗
Serie		97.0
Total		97.0

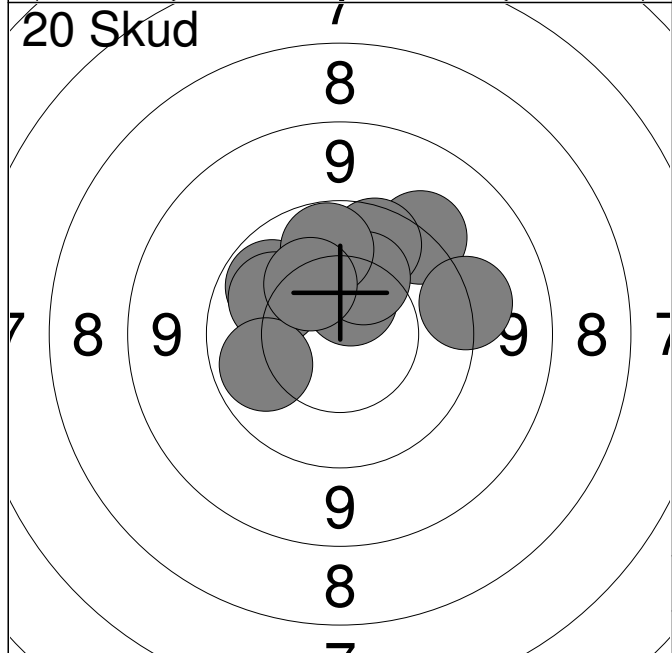


11:	10.5x	↗
12:	10.9x	↗
13:	10.6x	↘
14:	10.7x	↘
15:	10.5x	↗
16:	10.5x	↗
17:	10.8x	↘
18:	10.5	↑
19:	10.8x	↗
20:	10.5x	←
Serie		100.0
Total		197.0



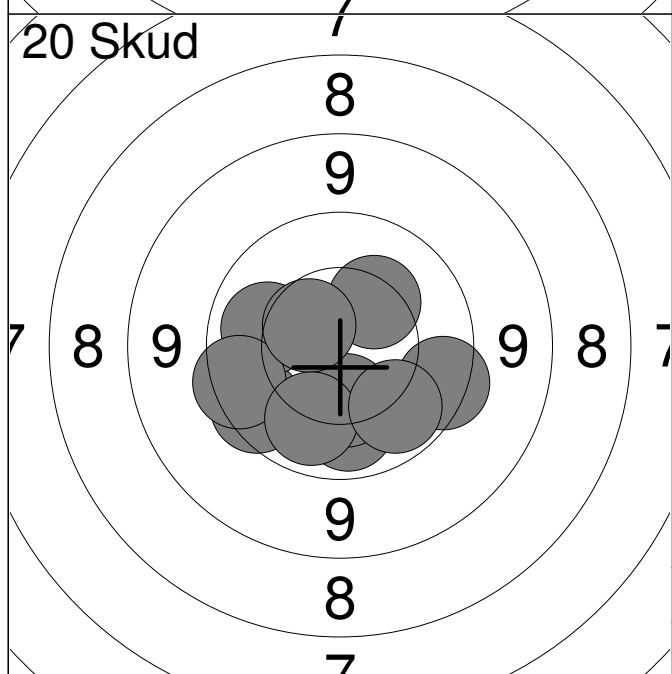
1:	10.7x	←
2:	8.6	←
3:	9.6	↑
4:	9.7	↑
5:	10.8x	←
6:	10.3	←
7:	10.5	↓
8:	9.9	↑
9:	10.6	↓

Serie	85.0
Total	0.0



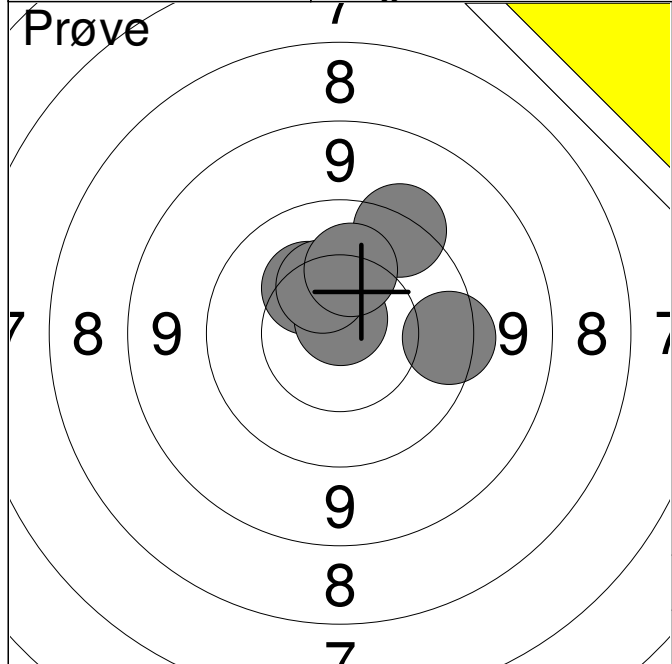
1:	10.5	↑
2:	10.0	↖
3:	9.4	↗
4:	10.1	↖
5:	10.0	←
6:	9.8	↑
7:	10.2	↑
8:	9.4	→
9:	10.0	↑
10:	10.3	↑

Serie	97.0
Total	97.0

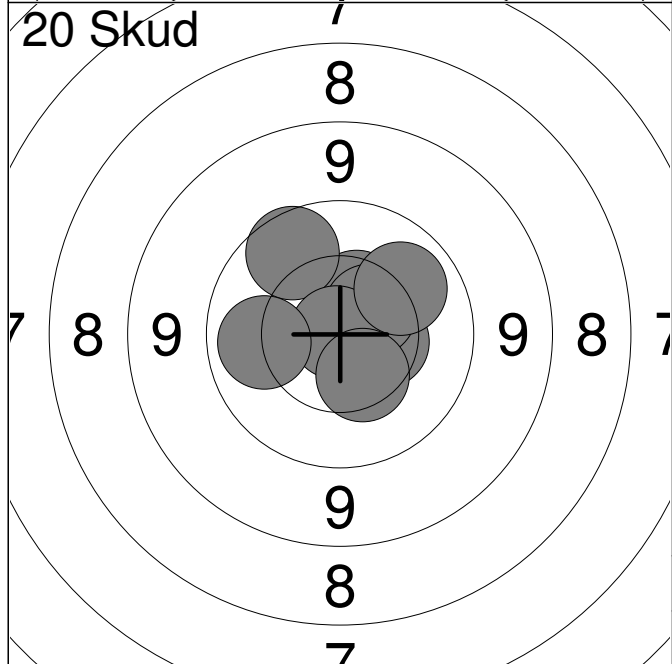


11:	9.7	↖
12:	9.7	→
13:	10.0	↓
14:	10.1	↖
15:	10.3	↓
16:	10.3	↗
17:	9.7	←
18:	10.5	↗
19:	10.0	↓
20:	10.0	↓

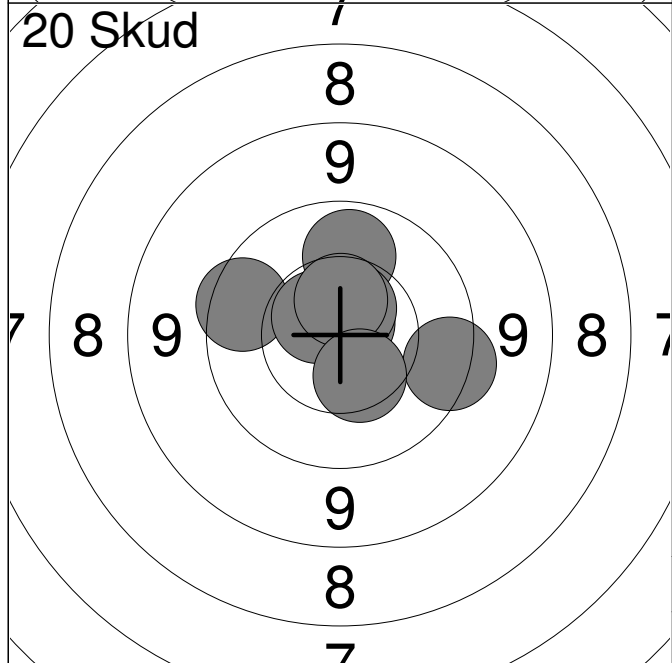
Serie	97.0
Total	194.0



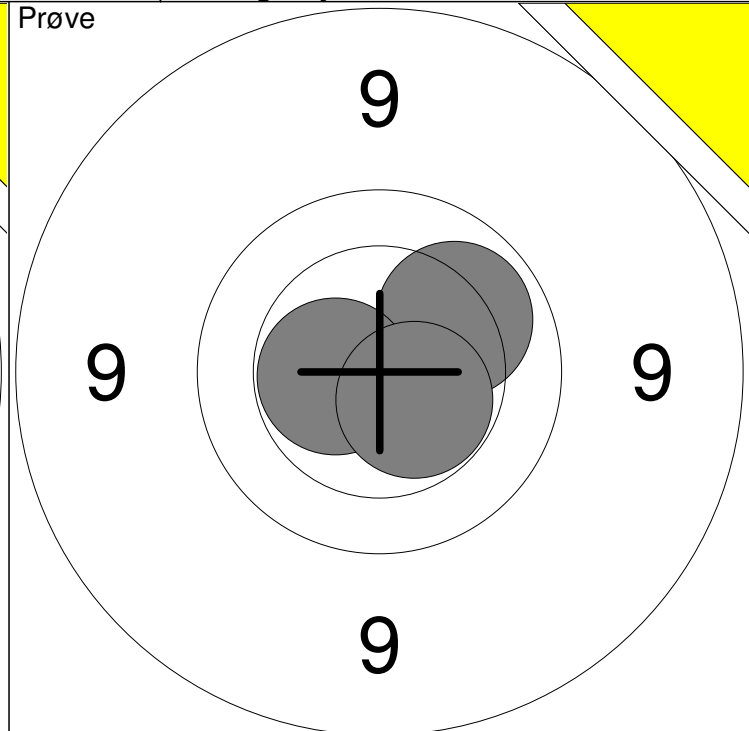
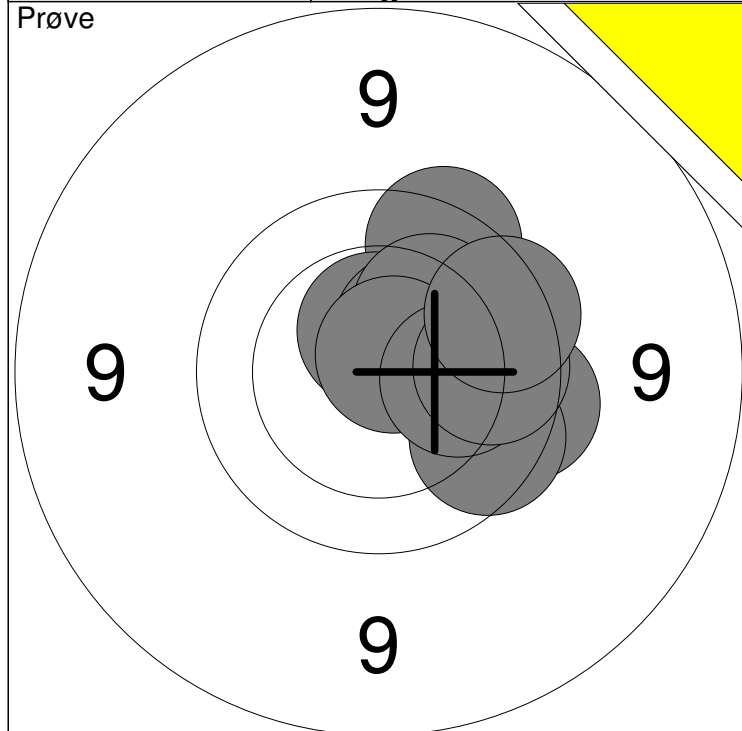
1:	9.7	→
2:	9.5	↗
3:	10.3	↖
4:	10.8x	↑
5:	10.4	↖
6:	10.2	↑
Serie		58.0
Total		0.0



1:	10.5	→
2:	10.7x	↘
3:	10.5	→
4:	10.5	↗
5:	10.5	↗
6:	9.9	↖
7:	10.9x	↖
8:	10.4	↘
9:	10.1	←
10:	10.1	↗
Serie		99.0
Total		99.0

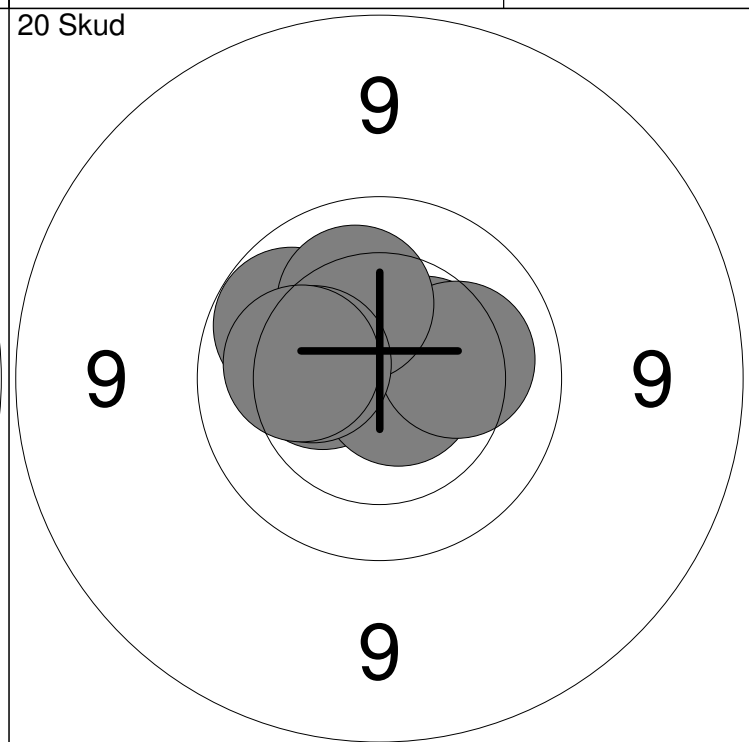
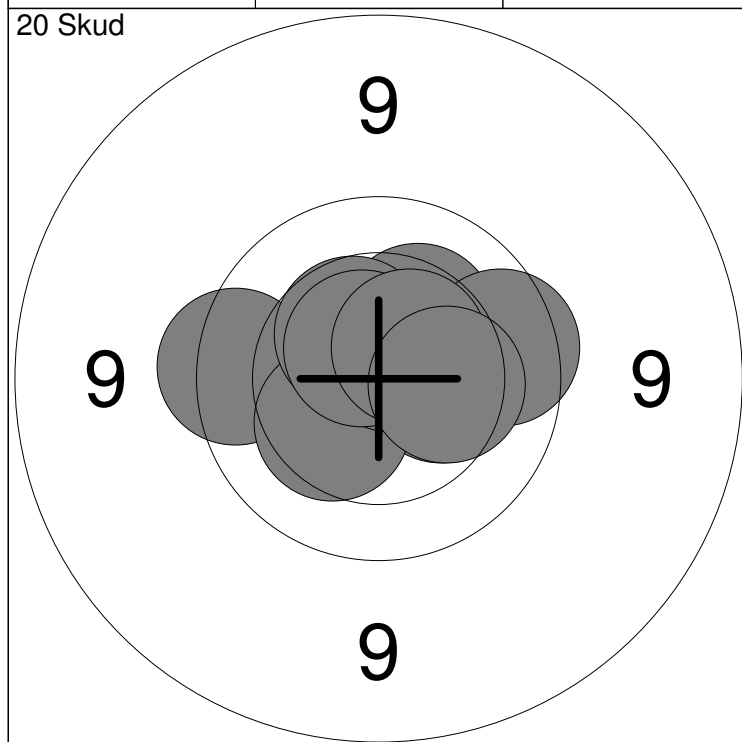


11:	10.7x	↗
12:	10.7x	↖
13:	10.0	↑
14:	9.8	←
15:	10.8x	↗
16:	10.6x	↗
17:	10.6x	↖
18:	9.6	→
19:	10.5	↑
20:	10.4	↘
Serie		98.0
Total		197.0



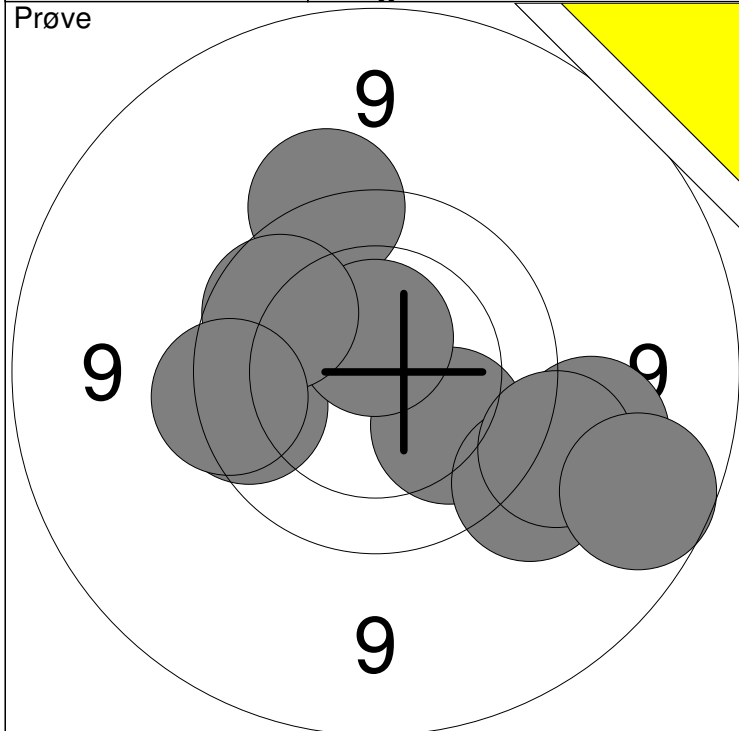
1: 9.7 ↗	6: 10.2 ↗	Serie	95
2: 10.5x ↑	7: 10.7x ↗		
3: 9.7 →	8: 10.2 →	Total	0
4: 10.4 ↗	9: 9.9 →		
5: 9.8 ↘	10: 9.8 ↗		

11: 10.1 ↗	Serie	30
12: 10.5x ←		
13: 10.5x ↘	Total	0



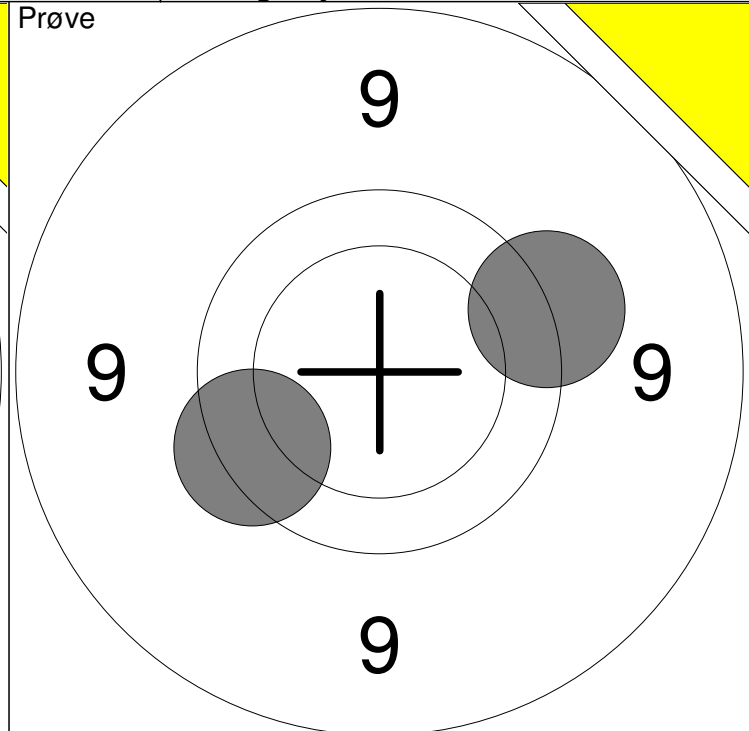
1: 9.7 ←	6: 10.5 ↗	Serie	98
2: 10.3 ↗	7: 10.7x ↗		
3: 9.8 →	8: 10.6x ↗	Total	98
4: 10.3 →	9: 10.5x ↗		
5: 10.3 ↘	10: 10.3 →		

11: 10.2 ↗	16: 10.8x ↘	Serie	100
12: 10.5 ↗	17: 10.2 →		
13: 10.0 ←	18: 10.2 ↗	Total	198
14: 10.8x ↗	19: 10.3 ←		
15: 10.4 ←	20: 10.2 ←		



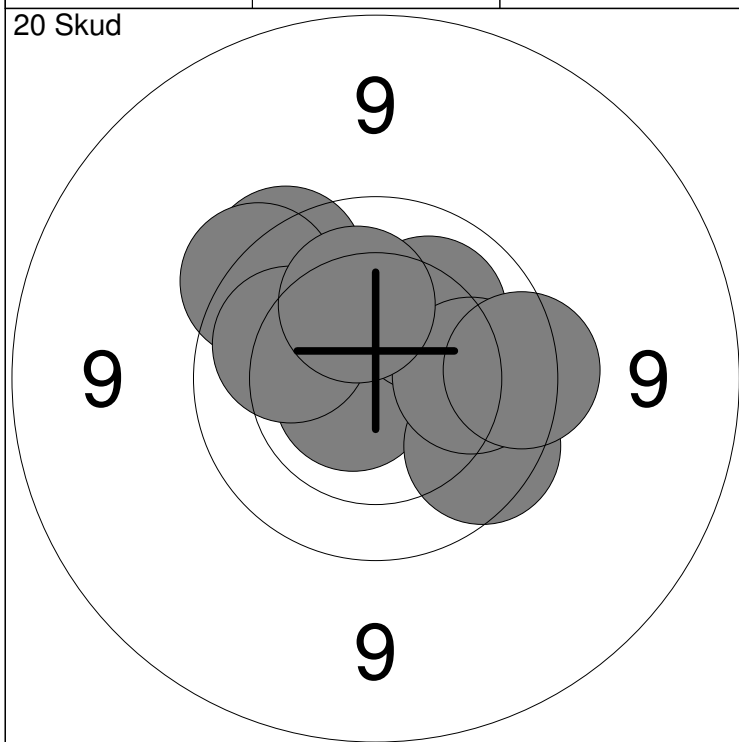
1: 9.6 ↗	6: 9.4 →
2: 10.1 ↘	7: 8.9 →
3: 9.8 ←	8: 10.6x ↑
4: 9.3 →	9: 9.9 ↗
5: 9.5 ↘	10: 9.7 ←

Serie	91
Total	0



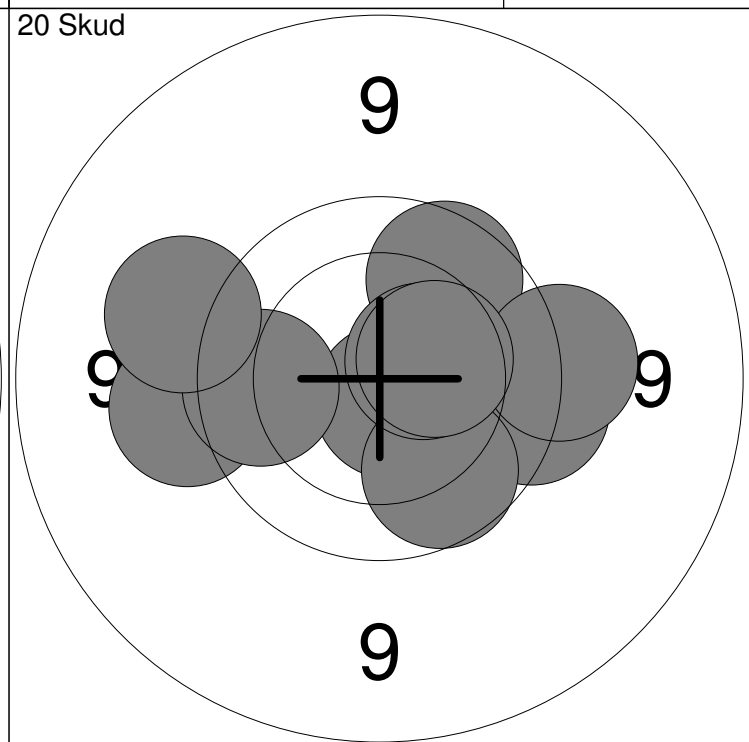
11: 9.5 →	12: 9.7 ↙
-----------	-----------

Serie	18
Total	0



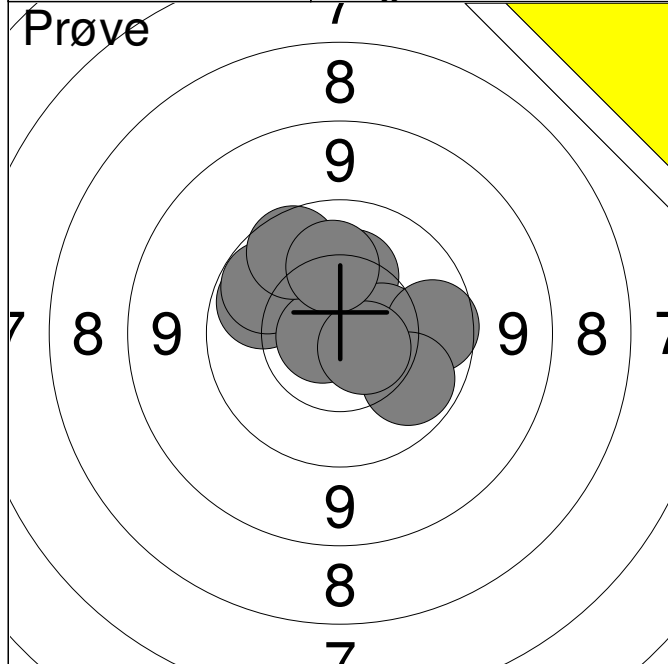
1: 10.3 →	6: 9.8 ↘
2: 9.7 ↗	7: 10.0 →
3: 10.7x ↙	8: 9.7 →
4: 10.1 ↗	9: 10.1 ↙
5: 9.7 ↙	10: 10.2 ↑

Serie	96
Total	96



11: 9.5 ←	16: 9.9 ↘
12: 10.7x ↘	17: 10.5x →
13: 9.7 →	18: 9.9 ←
14: 9.9 ↗	19: 10.4 →
15: 9.5 →	20: 9.4 ←

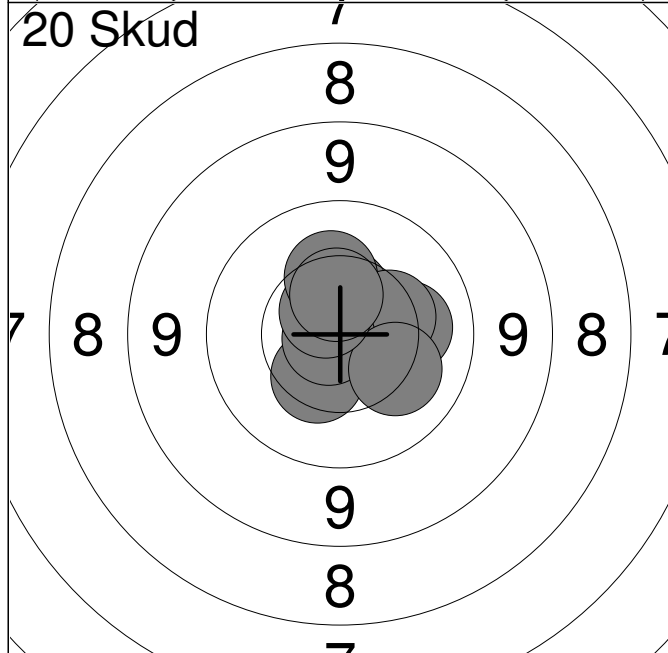
Serie	93
Total	189



1:	10.3	↑
2:	10.0	↖
3:	10.0	↗
4:	10.5	→
5:	9.9	→
6:	10.0	↘
7:	10.8x	←
8:	9.9	↑
9:	10.6x	↘
10:	10.2	↑

Serie	98.0
-------	------

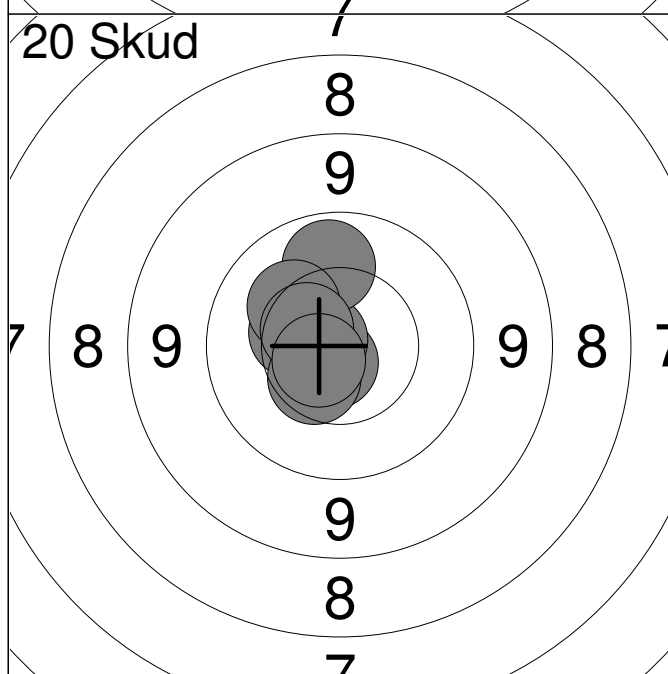
Total	0.0
-------	-----



1:	10.8x	→
2:	10.5	↑
3:	10.2	→
4:	10.4	↘
5:	10.3	→
6:	10.8x	←
7:	10.2	↘
8:	10.6x	↑
9:	10.3	↑
10:	10.5	↑

Serie	100.0
-------	-------

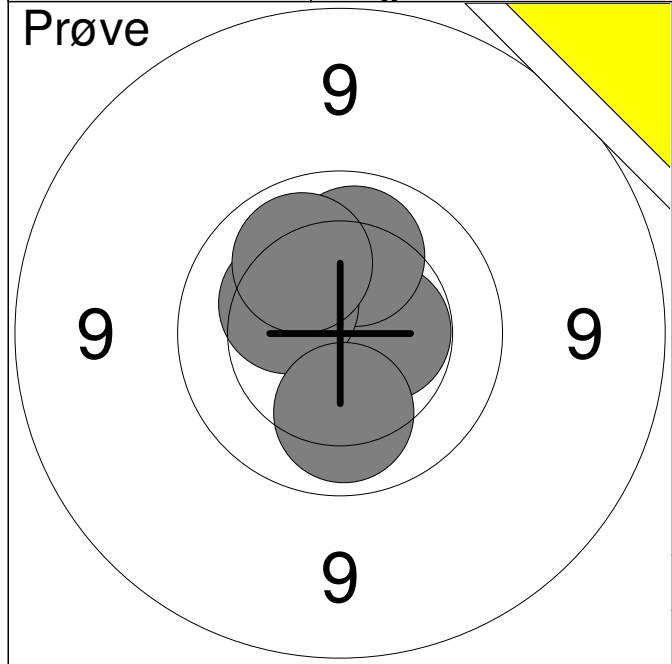
Total	100.0
-------	-------



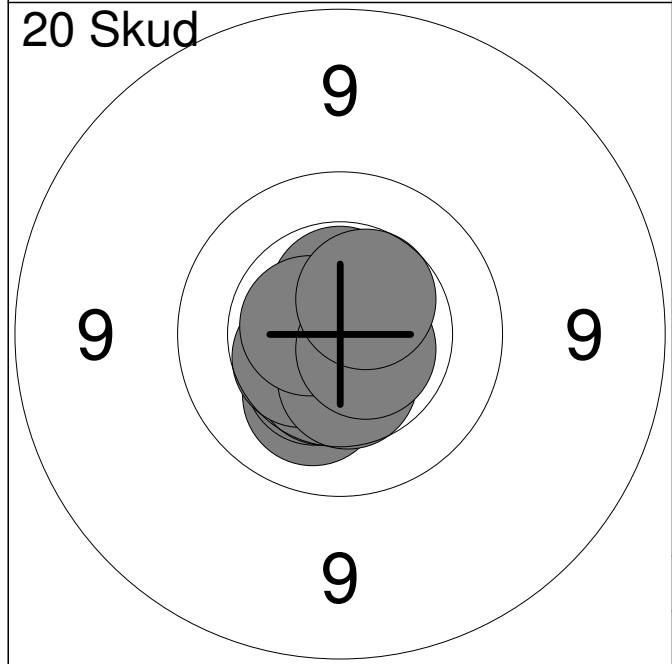
11:	10.7x	↘
12:	10.6x	←
13:	10.4	←
14:	10.4	↗
15:	10.7x	←
16:	10.0	↑
17:	10.5	↘
18:	10.2	↗
19:	10.5	↗
20:	10.7x	↘

Serie	100.0
-------	-------

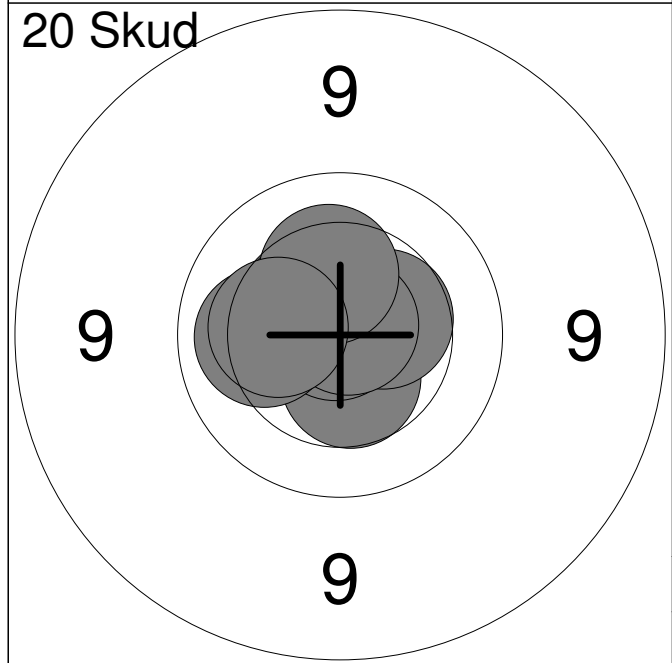
Total	200.0
-------	-------



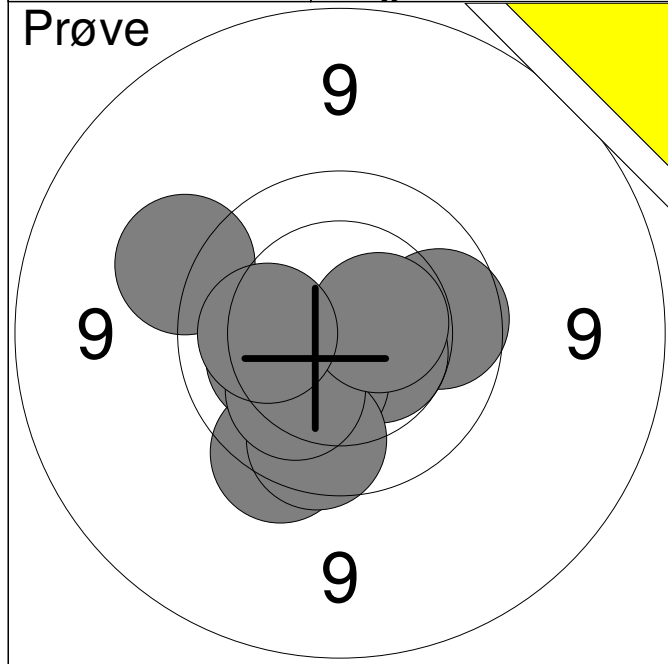
1:	10.5x	→
2:	10.1	↑
3:	10.3	↗
4:	10.1	↗
5:	10.1	↓
Serie		50.0
Total		0.0



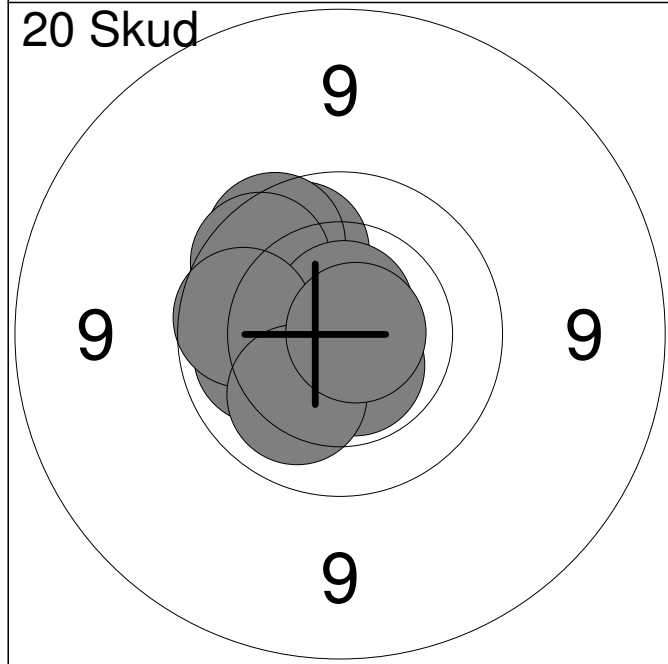
1:	10.2	↘
2:	10.4	↘
3:	10.5	↘
4:	10.8x	↗
5:	10.5	↙
6:	10.5	↓
7:	10.5x	↑
8:	10.6x	↖
9:	10.6x	↘
10:	10.5	↗
Serie		100.0
Total		100.0



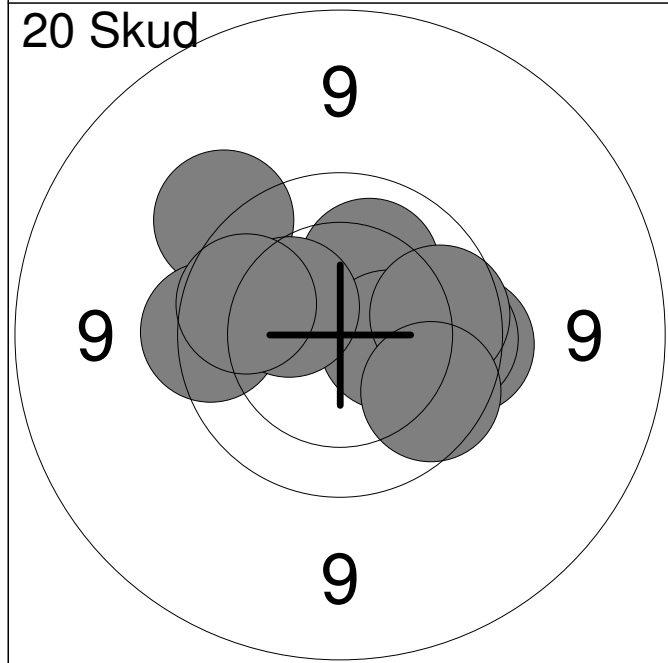
11:	10.7x	↖
12:	10.5x	↗
13:	10.5	↓
14:	10.8x	↑
15:	10.9x	↗
16:	10.5	↗
17:	10.8x	↗
18:	10.1	↖
19:	10.3	↑
20:	10.3	↖
Serie		100.0
Total		200.0



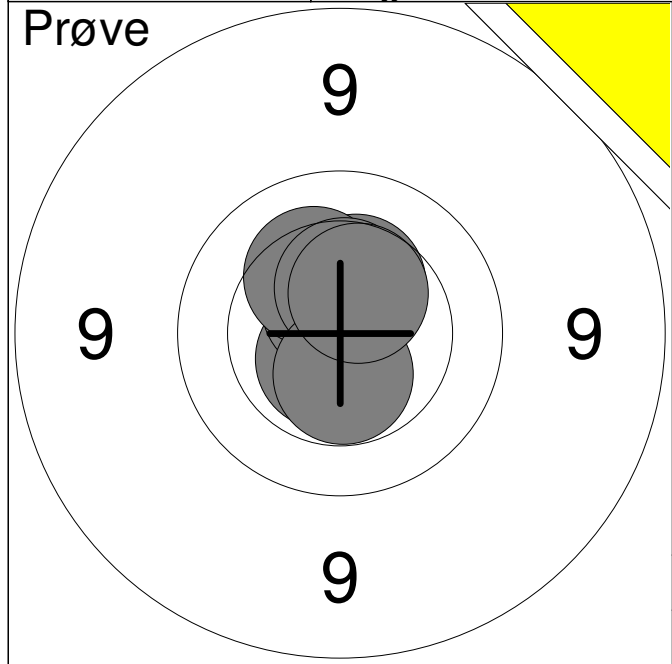
1:	9.7	↙
2:	9.9	→
3:	10.5	↘
4:	9.5	↗
5:	10.2	←
6:	10.4	↙
7:	9.8	↘
8:	10.2	↙
9:	10.5x	→
10:	10.2	←
Serie		96.0
Total		0.0



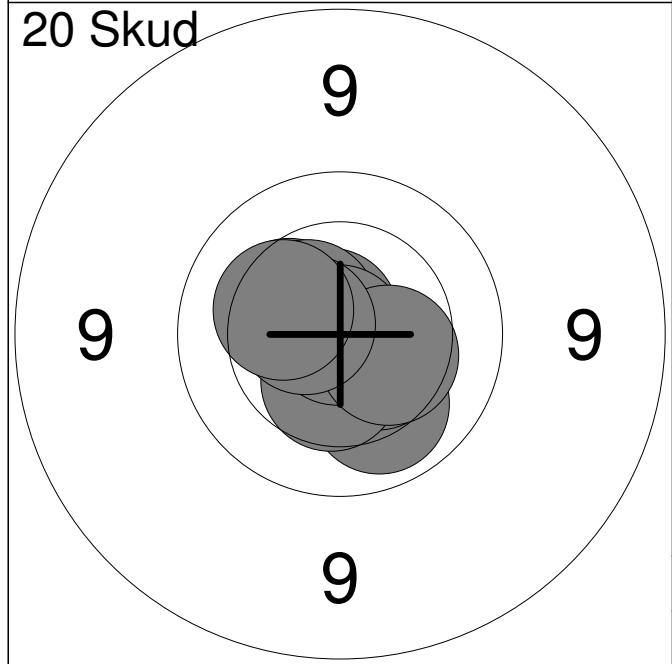
1:	10.0	↗
2:	9.8	↗
3:	10.5x	↘
4:	10.1	←
5:	10.6x	↘
6:	9.9	↗
7:	10.7x	↑
8:	9.9	←
9:	10.1	↙
10:	10.8x	→
Serie		97.0
Total		97.0



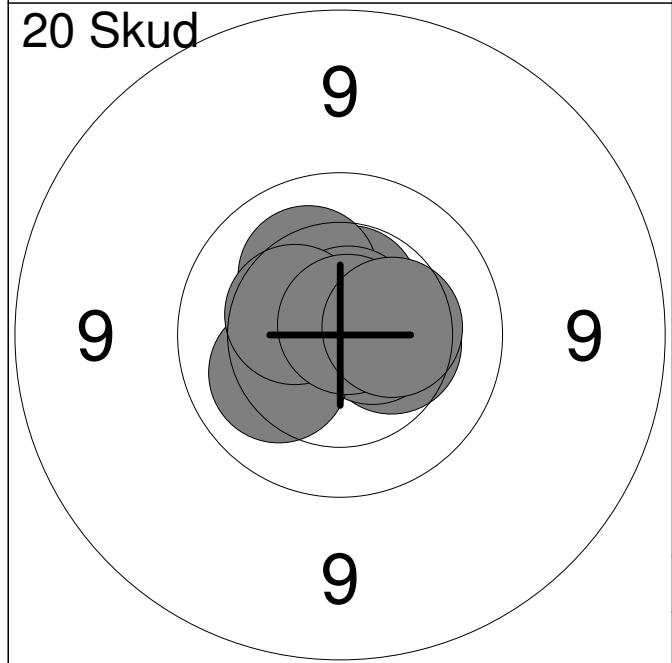
11:	9.8	→
12:	9.9	→
13:	10.2	↗
14:	9.5	↗
15:	10.4	→
16:	9.7	←
17:	9.9	→
18:	9.9	↘
19:	10.3	↗
20:	9.9	←
Serie		93.0
Total		190.0



1:	10.6x	↙
2:	10.4	↑
3:	10.6x	↑
4:	10.3	↑
5:	10.5	↑
6:	10.5x	↓
7:	10.5	↗
Serie		70.0
Total		0.0

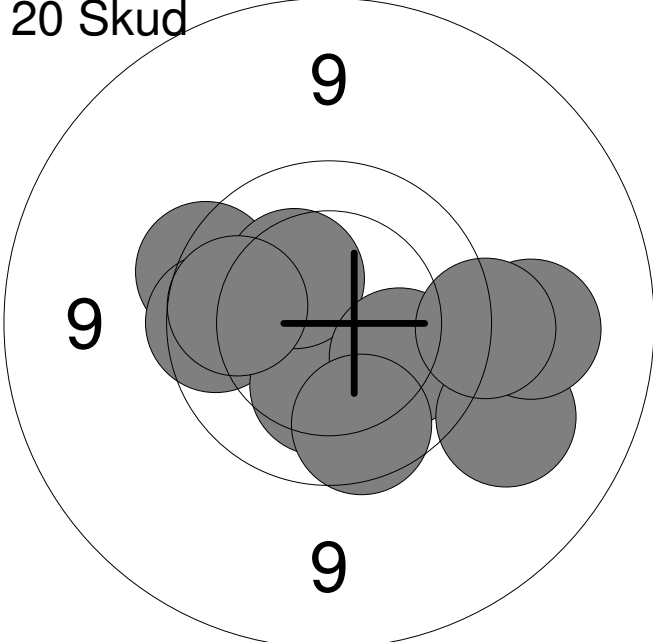


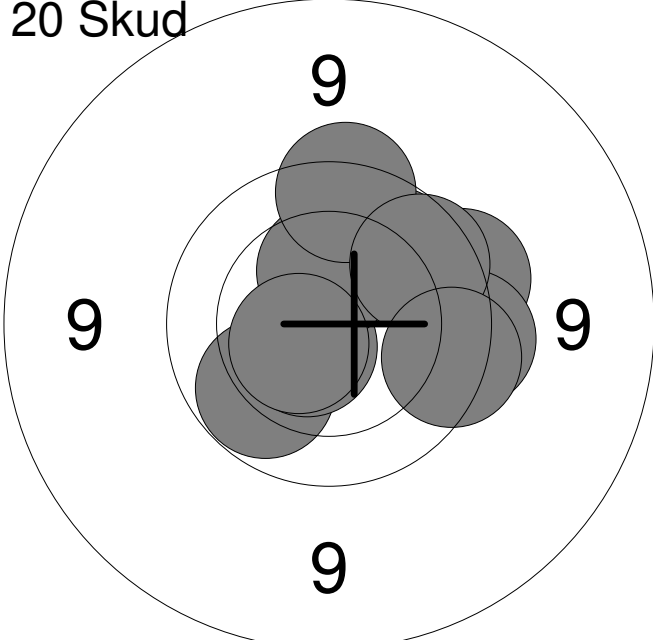
1:	10.1	↘
2:	10.3	↗
3:	10.5	↘
4:	10.4	↘
5:	10.7x	↗
6:	10.5x	↗
7:	10.9x	←
8:	10.4	↘
9:	10.6x	↗
10:	10.3	↗
Serie		100.0
Total		100.0

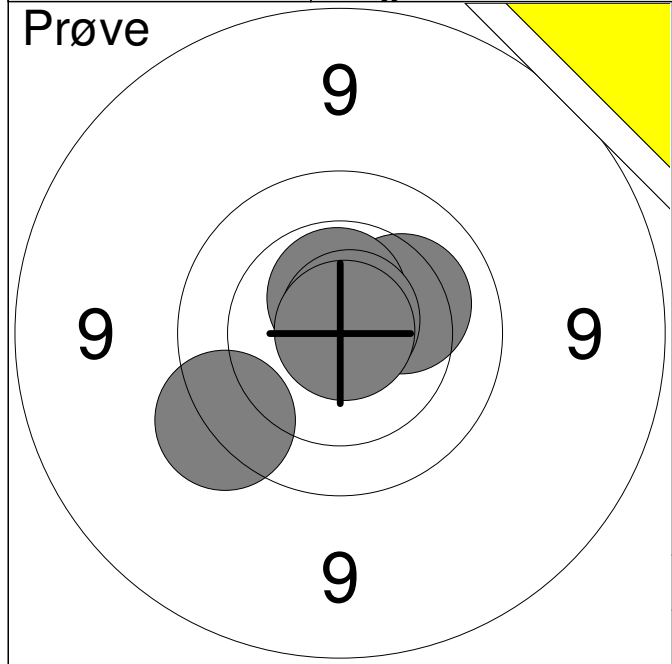


11:	10.4	→
12:	10.6x	→
13:	10.5x	↑
14:	10.8x	↑
15:	10.2	↗
16:	10.2	↖
17:	10.7x	↗
18:	10.4	↖
19:	10.8x	↗
20:	10.4	→
Serie		100.0
Total		200.0

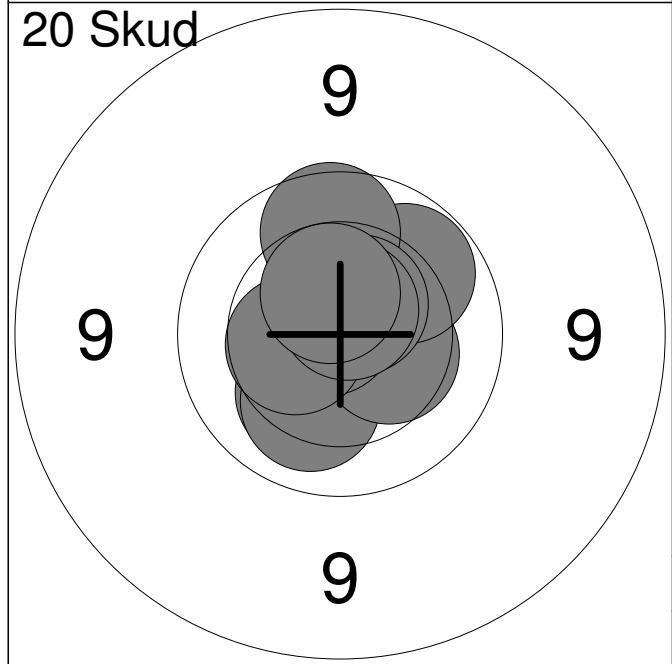
Prøve 	1:	10.3	↗	
	2:	9.7	↗	
	3:	9.5	↓	
	4:	10.2	↖	
	5:	8.9	→	
	6:	10.3	↘	
	7:	9.8	↘	
	8:	9.6	↗	
	Serie		74.0	
	Total		0.0	

20 Skud 	1:	9.7	↖
	2:	9.8	←
	3:	10.3	↘
	4:	10.3	↗
	5:	9.9	←
	6:	10.1	↘
	7:	9.9	↘
	8:	9.3	↘
	9:	9.3	→
	10:	9.6	→
	Serie		93.0
Total		93.0	

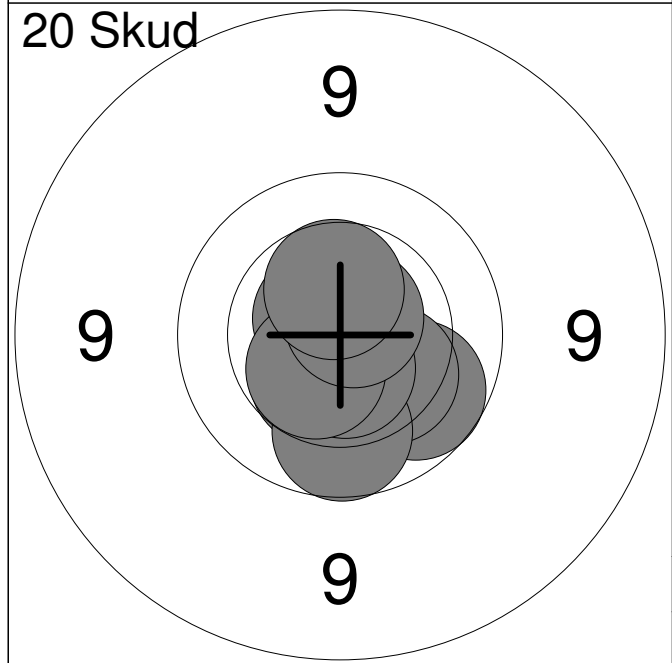
20 Skud 	11:	10.0	↙
	12:	9.7	→
	13:	10.0	↗
	14:	10.6x	↙
	15:	10.4	↑
	16:	9.7	↑
	17:	9.7	→
	18:	9.8	↗
	19:	9.7	→
	20:	10.6x	↙
	Serie		95.0
Total		188.0	



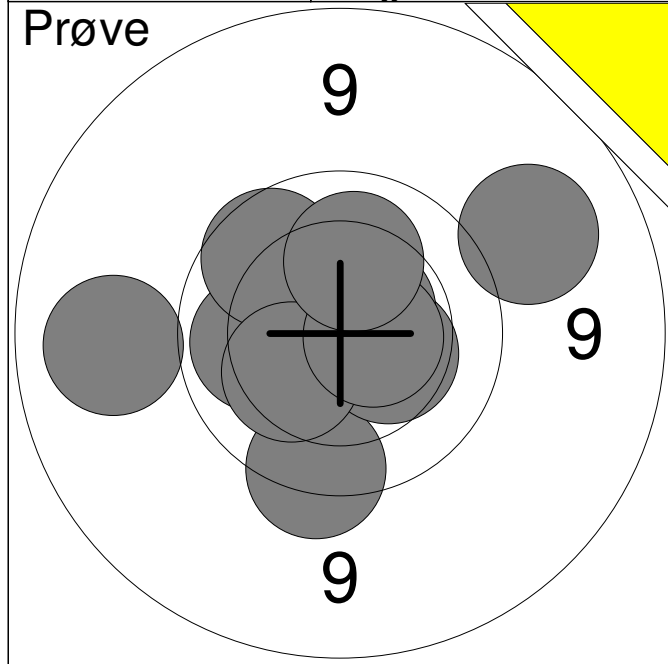
1:	9.6	↙
2:	10.2	→
3:	10.6x	↑
4:	10.8x	↗
5:	10.9x	↗
Serie		49.0
Total		0.0



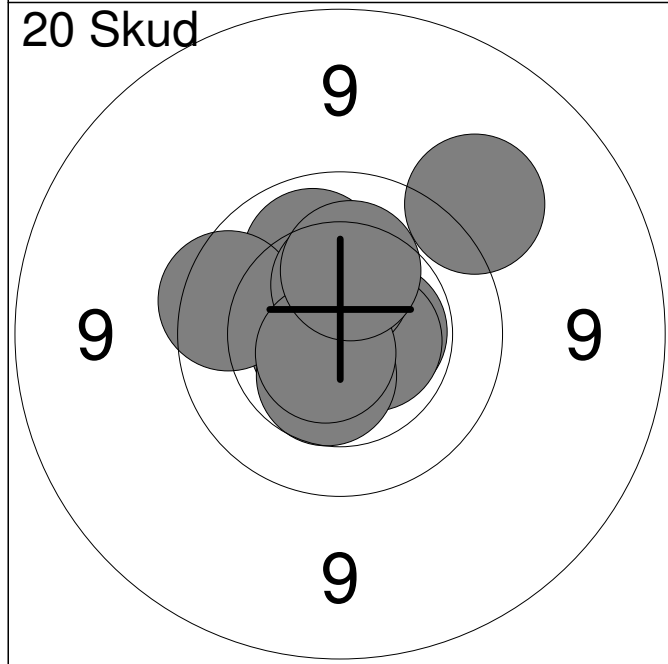
1:	10.2	↙
2:	10.2	↙
3:	10.4	→
4:	10.8x	↖
5:	10.5	←
6:	10.0	↗
7:	9.9	↑
8:	10.6x	↗
9:	10.7x	↗
10:	10.5x	↑
Serie		99.0
Total		99.0



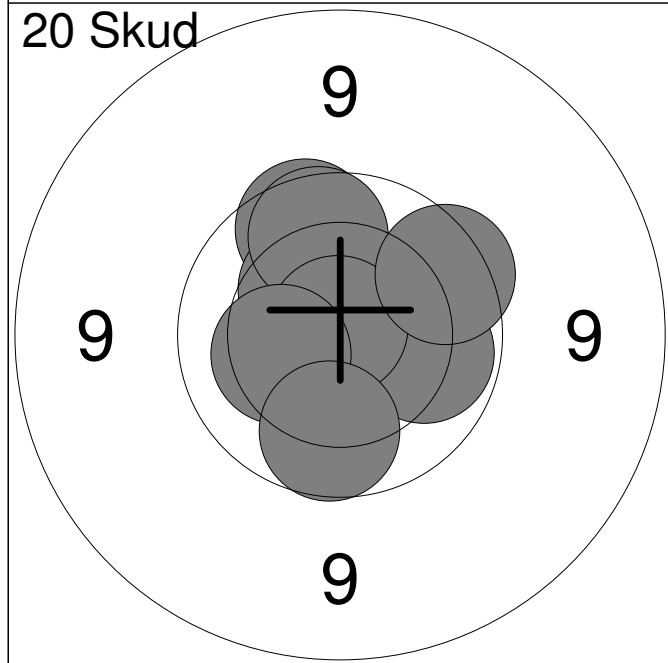
11:	10.4	↙
12:	9.9	↘
13:	10.3	↘
14:	9.9	↓
15:	10.8x	↗
16:	10.6x	↓
17:	10.7x	↗
18:	10.5x	↙
19:	10.7x	↗
20:	10.5	↑
Serie		98.0
Total		197.0



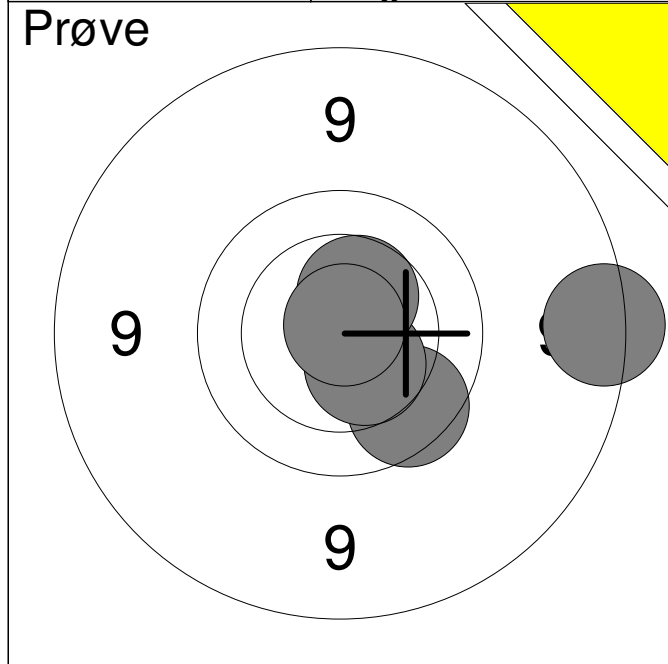
1:	9.1	←
2:	10.1	←
3:	9.2	→
4:	9.7	↓
5:	10.4	→
6:	9.9	↗
7:	10.6x	↗
8:	10.3	←
9:	10.6x	→
10:	10.2	↑
Serie		96.0
Total		0.0



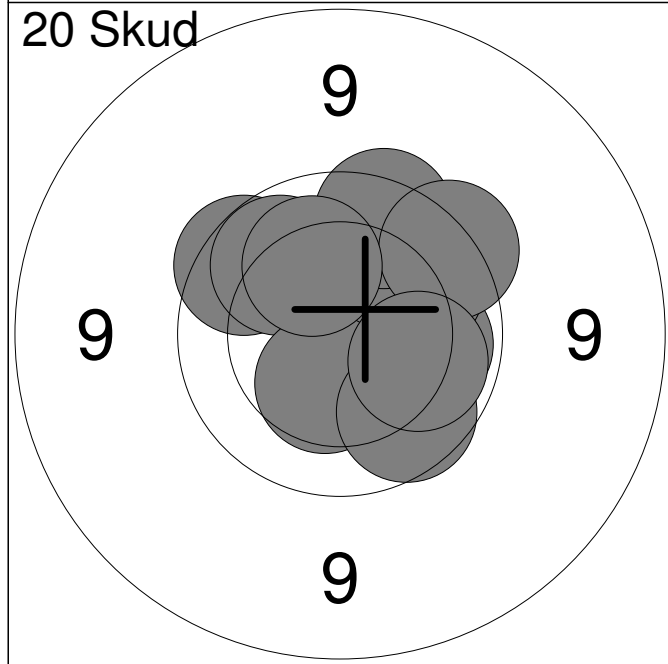
1:	10.7x	←
2:	10.1	↑
3:	9.8	←
4:	10.5x	→
5:	9.4	↗
6:	10.6x	→
7:	10.4	↑
8:	10.5	↓
9:	10.7x	↙
10:	10.3	↑
Serie		98.0
Total		98.0



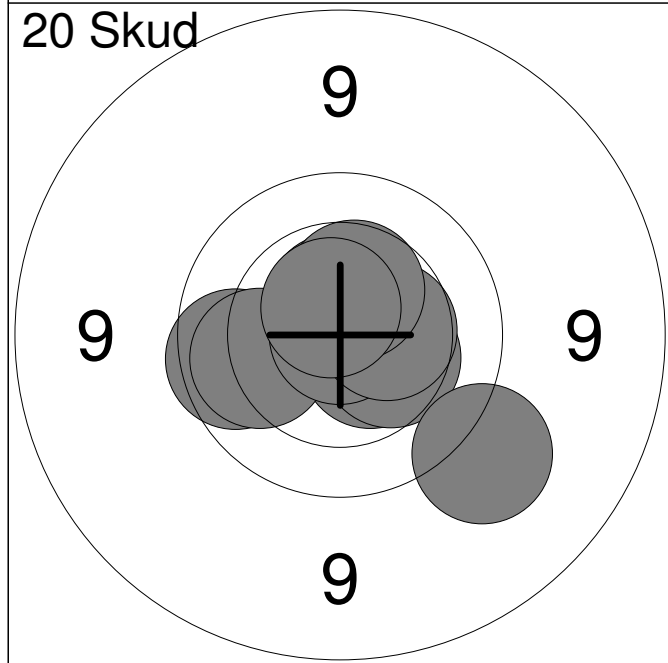
11:	10.6x	↗
12:	10.0	→
13:	10.5	↗
14:	9.8	↗
15:	10.4	↗
16:	9.9	↑
17:	10.8x	↑
18:	10.3	←
19:	9.8	↗
20:	9.9	↓
Serie		96.0
Total		194.0



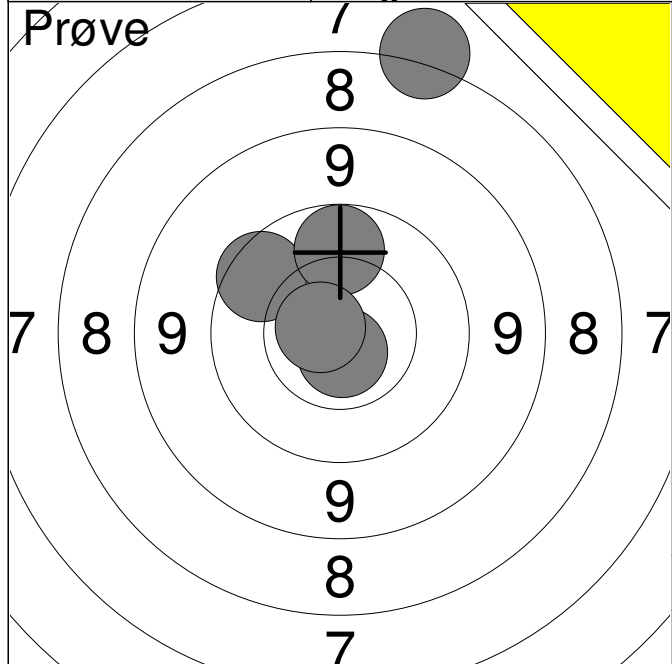
1:	8.8	→
2:	9.8	↘
3:	10.5	↘
4:	10.4	↗
5:	10.8x	↗
Serie		47.0
Total		0.0



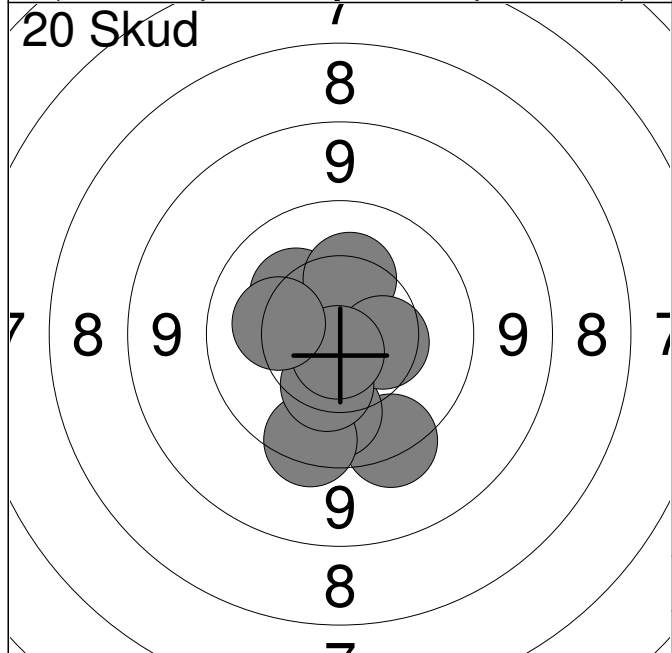
1:	10.0	→
2:	10.0	↗
3:	9.8	↗
4:	9.8	↗
5:	10.0	↗
6:	9.7	↗
7:	10.4	↘
8:	9.9	↘
9:	10.2	↗
10:	10.1	→
Serie		96.0
Total		96.0



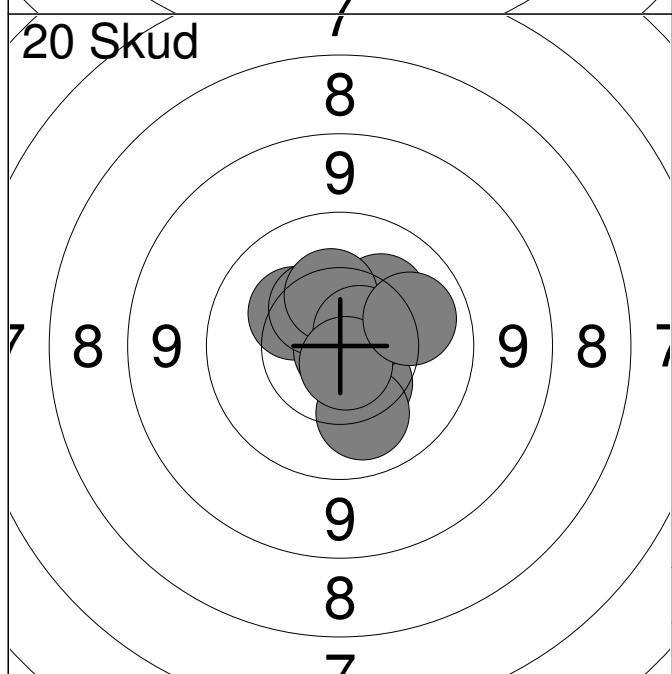
11:	10.5x	↘
12:	9.9	←
13:	10.0	←
14:	10.4	→
15:	9.4	↘
16:	10.6x	↗
17:	10.9x	↗
18:	10.4	→
19:	10.4	↗
20:	10.6x	↗
Serie		98.0
Total		194.0



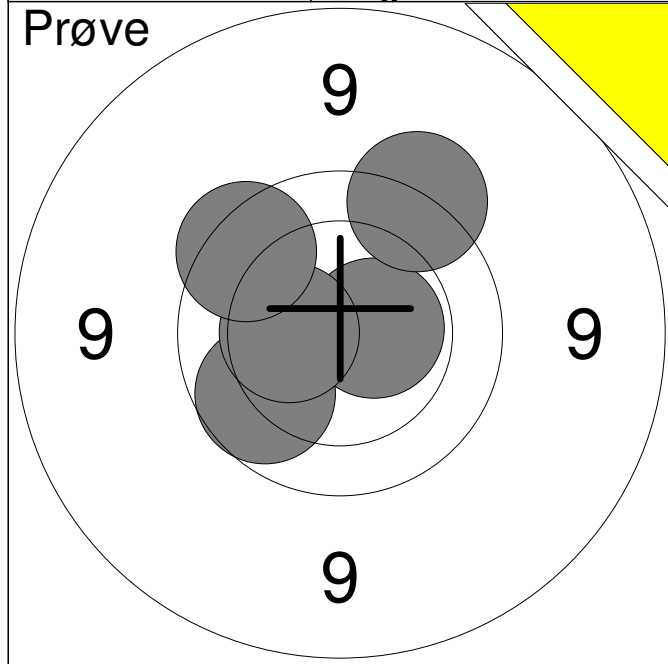
1:	7.2	↑
2:	9.8	↖
3:	10.0	↑
4:	10.7x	↓
5:	10.7x	←
Serie		46.0
Total		0.0



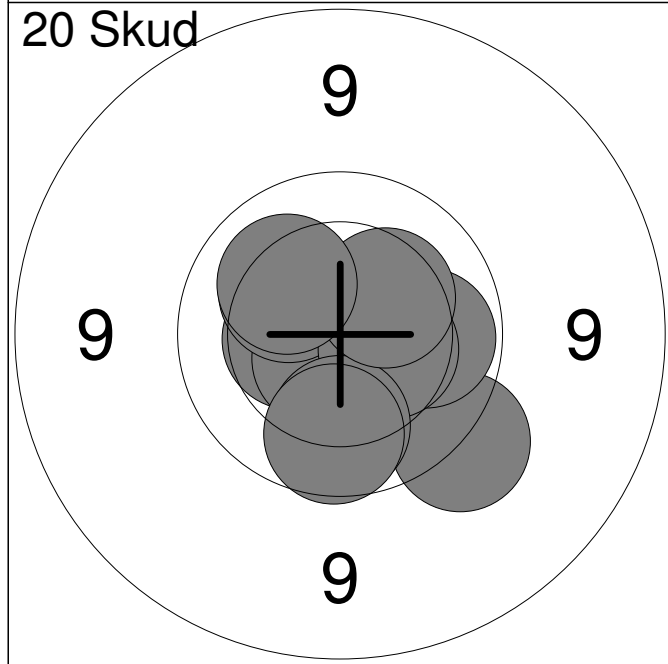
1:	9.5	↓
2:	10.5	↑
3:	10.0	↓
4:	10.3	↗
5:	10.3	↑
6:	9.7	↓
7:	10.5	→
8:	10.3	↓
9:	10.7x	↓
10:	10.2	←
Serie		98.0
Total		98.0



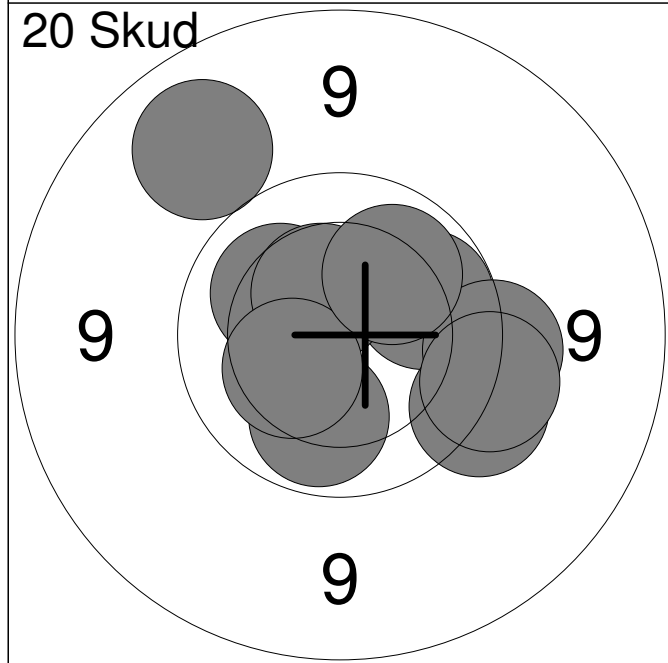
11:	10.2	↗
12:	10.4	↓
13:	10.1	↓
14:	10.3	↗
15:	10.9x	↓
16:	10.4	↗
17:	10.4	↑
18:	10.7x	↗
19:	10.7x	↓
20:	10.1	↗
Serie		100.0
Total		198.0



1:	10.6x	→
2:	9.9	↙
3:	9.6	↗
4:	10.4	←
5:	9.8	↗
Serie		47.0
Total		0.0

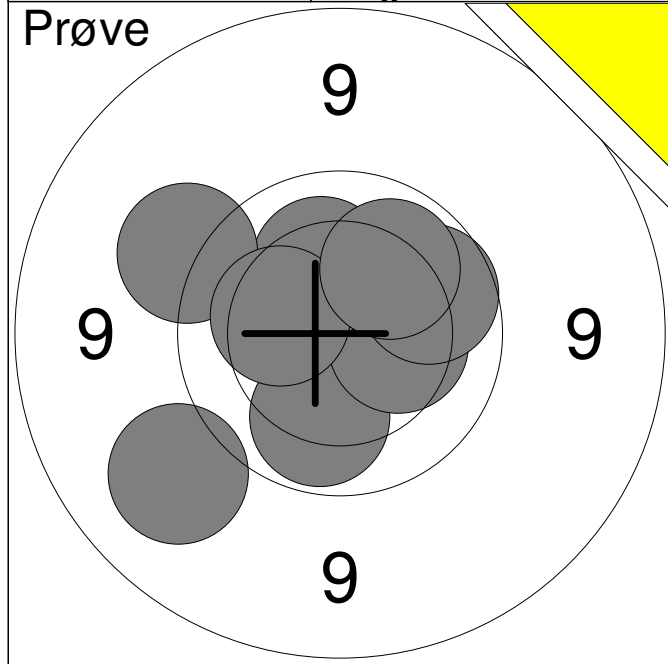


1:	9.5	↘
2:	10.4	←
3:	10.6x	↙
4:	10.0	→
5:	10.2	↗
6:	10.4	↘
7:	10.0	↓
8:	9.9	↓
9:	10.3	↗
10:	10.2	↗
Serie		98.0
Total		98.0

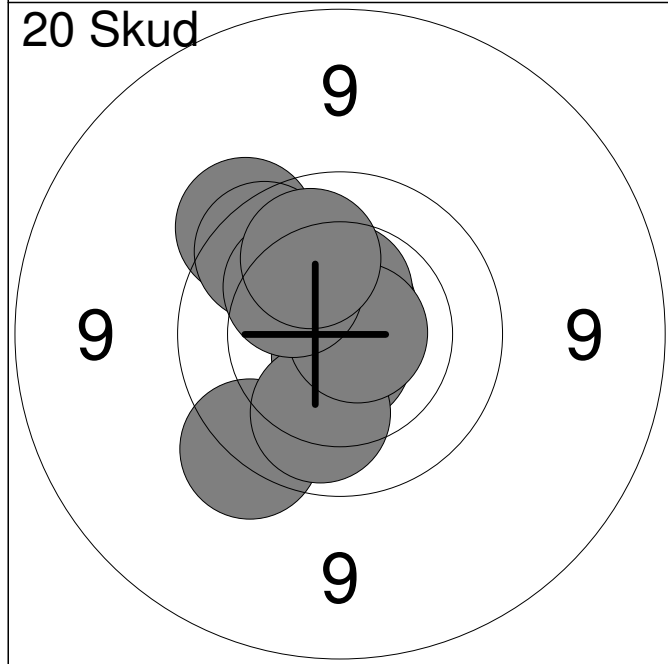


11:	10.0	↗
12:	9.6	↘
13:	9.6	→
14:	10.2	↗
15:	10.5	↗
16:	9.6	↘
17:	10.0	↓
18:	10.3	↙
19:	9.1	↗
20:	10.1	↗
Serie		96.0
Total		194.0

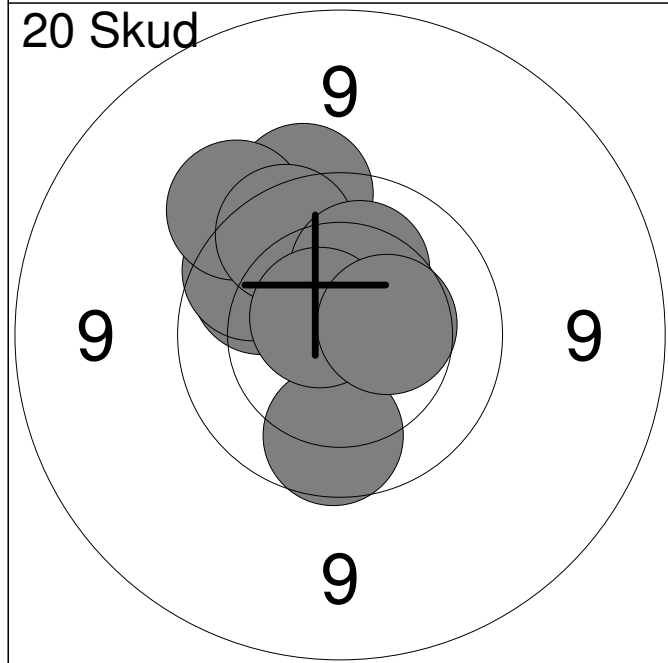
Hold	Skive	Stefan Olsen	
6	6	Aalborg Skyttekreds	MUS1
AAS		Nordjysk Mesterskab senior 2016	Aalborg Skyttekreds
Prøve 	1:	8.8	→
	2:	9.9	↘
	3:	10.3	↑
	4:	10.5	↙
	5:	10.2	→
Serie		47.0	
Total		0.0	
20 Skud 	1:	9.4	→
	2:	9.6	↙
	3:	9.0	→
	4:	9.7	→
	5:	10.8x	←
	6:	9.8	↙
	7:	9.9	↘
	8:	10.5x	↗
	9:	9.9	↙
	10:	9.8	↘
Serie		92.0	
Total		92.0	
20 Skud 	11:	9.7	→
	12:	10.3	↙
	13:	10.2	↑
	14:	9.5	→
	15:	9.4	↙
	16:	10.6x	←
	17:	9.8	↗
	18:	9.8	↙
	19:	10.2	↙
	20:	10.0	→
Serie		95.0	
Total		187.0	



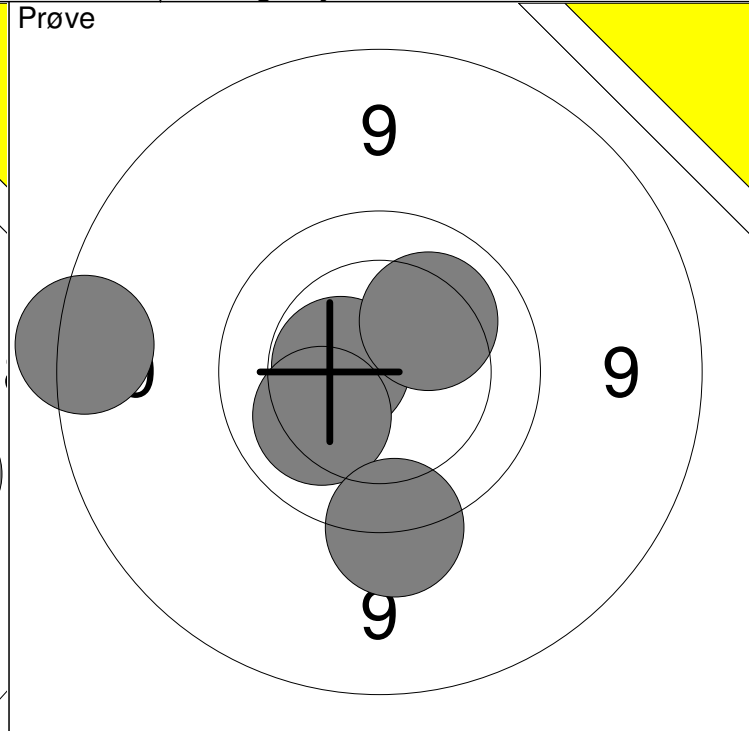
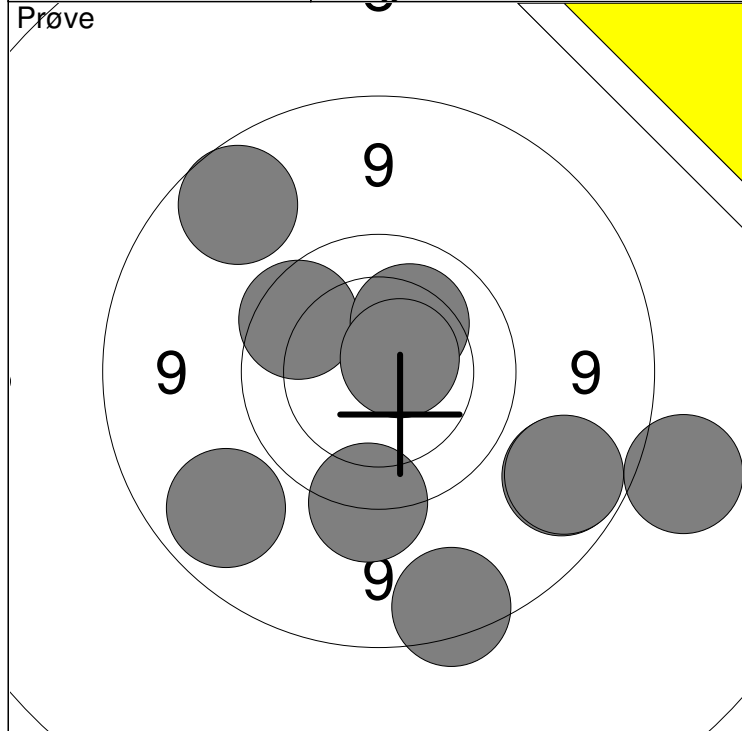
1:	9.2	↙
2:	10.0	↓
3:	10.3	→
4:	10.2	↑
5:	9.9	↗
6:	9.5	↖
7:	10.3	←
8:	10.1	↗
Serie		77.0
Total		0.0



1:	9.6	↙
2:	10.7x	↑
3:	10.7x	↓
4:	9.6	↗
5:	10.1	↓
6:	10.5x	↑
7:	10.8x	→
8:	9.8	↗
9:	10.2	↗
10:	10.1	↗
Serie		97.0
Total		97.0

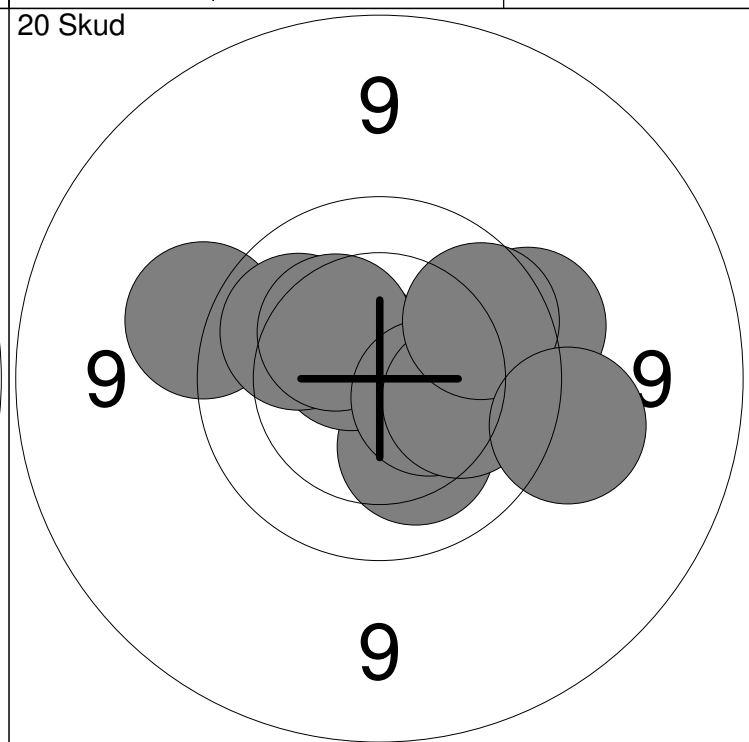
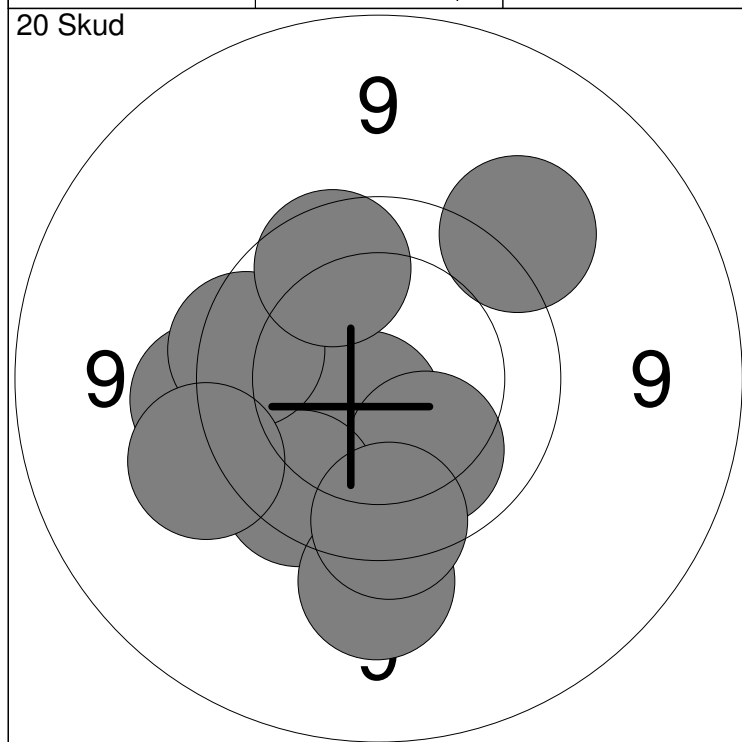


11:	9.9	↗
12:	9.8	↗
13:	9.6	↗
14:	9.5	↗
15:	10.4	↑
16:	9.8	↗
17:	9.9	↓
18:	10.2	↗
19:	10.7x	↗
20:	10.4	→
Serie		94.0
Total		191.0



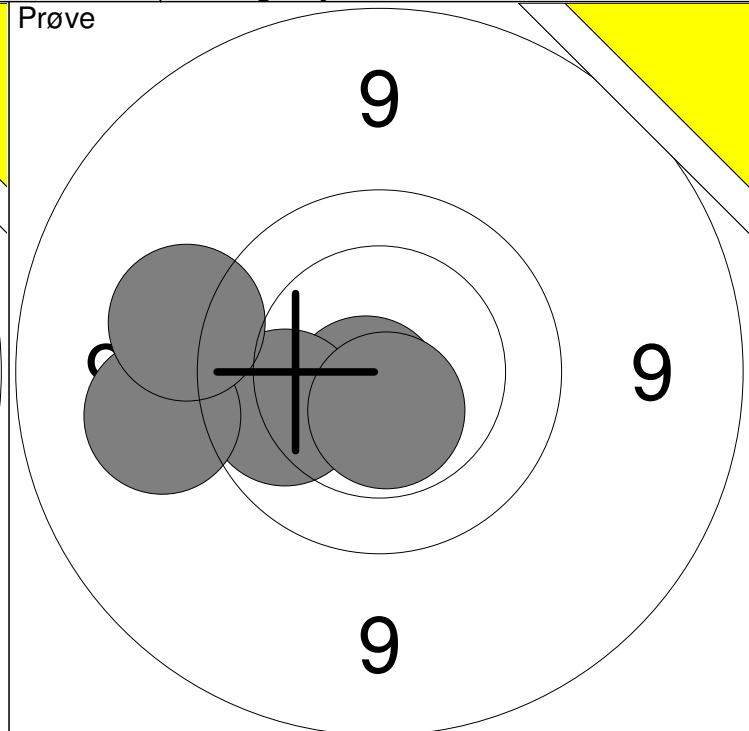
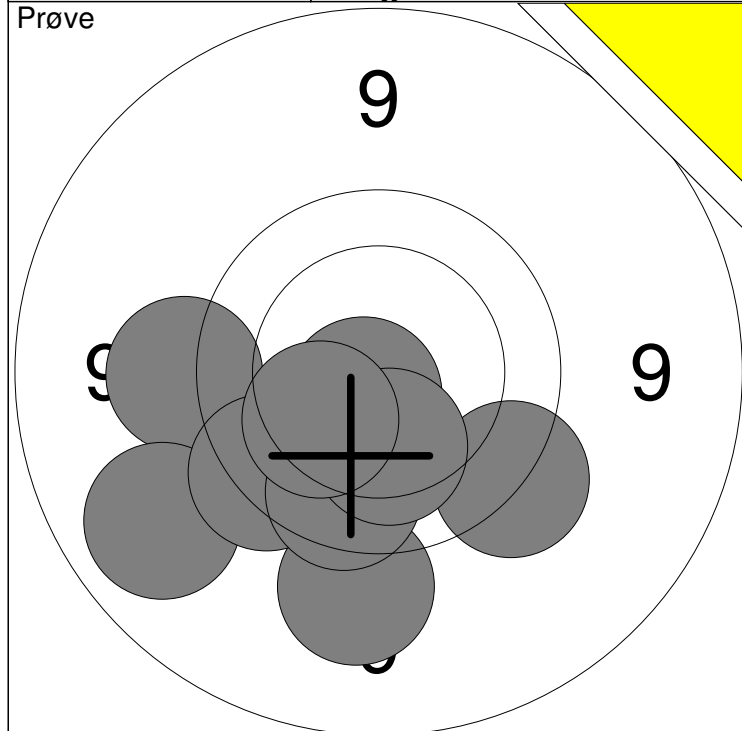
1: 8.9 ↗	6: 9.8 ↗	Serie	89
2: 8.8 ↘	7: 10.2 ↗		
3: 9.0 ↘	8: 9.0 ↘	Total	0
4: 8.5 ↘	9: 10.6x ↗		
5: 9.0 ↘	10: 9.6 ↘		

11: 8.8 ←	Serie	47
12: 10.5x ←		
13: 10.2 ↙	Total	0
14: 10.2 ↗		
15: 9.5 ↘		



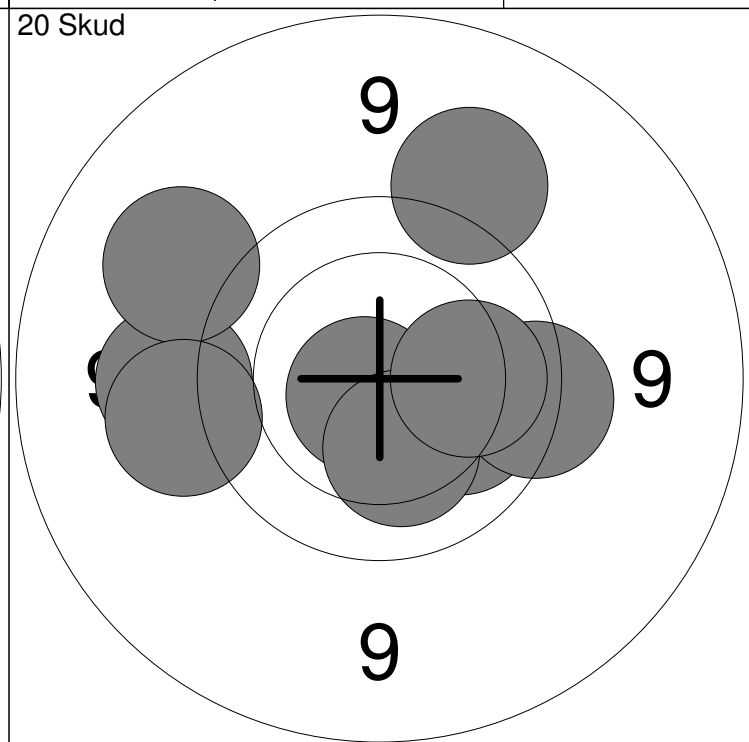
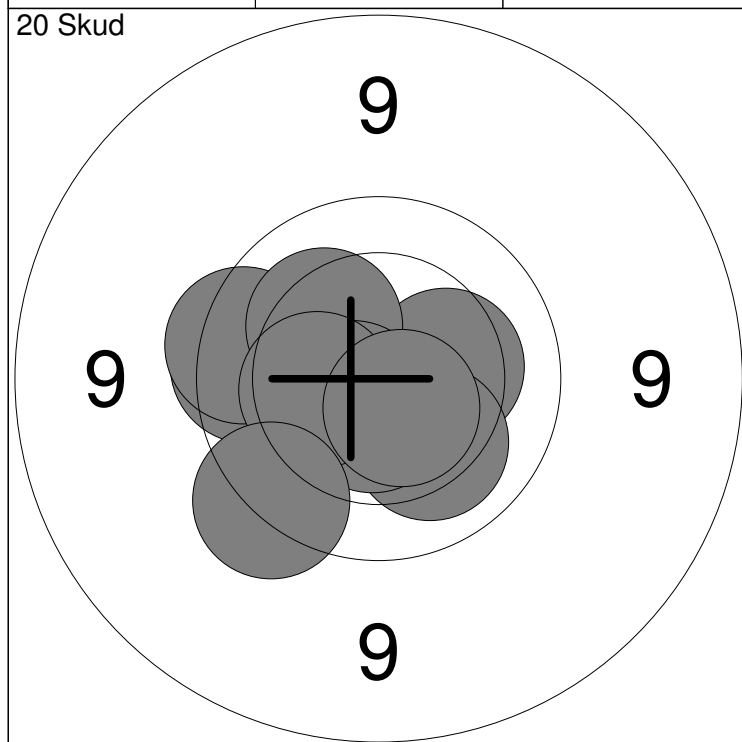
1: 9.6 ←	6: 9.7 ↘	Serie	92
2: 10.6x ↘	7: 9.8 ←		
3: 10.1 ↘	8: 9.5 ↙	Total	92
4: 9.8 ↘	9: 9.9 ↗		
5: 9.4 ↘	10: 9.4 ↗		

11: 10.2 ↘	16: 10.4 ↗	Serie	96
12: 10.6x ↗	17: 10.1 ↗		
13: 9.5 ←	18: 9.7 ↗	Total	188
14: 10.0 ↗	19: 9.9 ↗		
15: 10.3 ↗	20: 9.5 ↗		



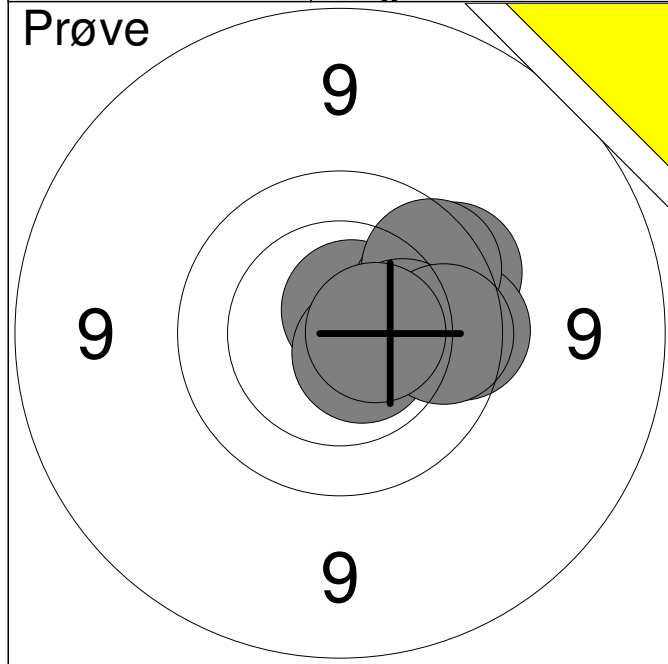
1: 9.5 ←	6: 10.7x ↘	Serie	94
2: 9.1 ↙	7: 9.7 ↙		
3: 9.3 ↓	8: 9.8 ↓	Total	0
4: 10.2 ↘	9: 10.2 ↓		
5: 9.6 ↘	10: 10.2 ↙		

11: 10.7x ↘	Serie	48
12: 10.0 ←		
13: 9.3 ←	Total	0
14: 9.4 ↙		
15: 10.6x ↓		

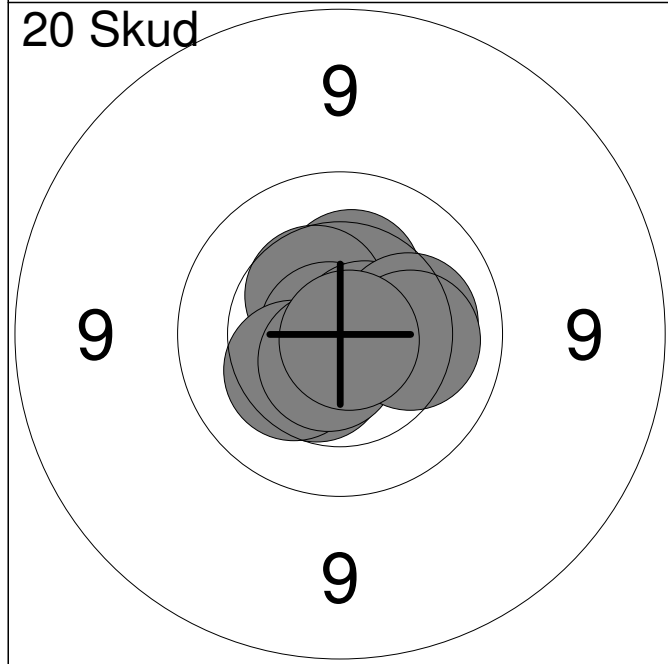


1: 9.8 ←	6: 10.2 ↘	Serie	97
2: 9.8 ←	7: 10.6x ↓		
3: 10.3 →	8: 10.4 ←	Total	97
4: 10.2 ↗	9: 9.6 ↘		
5: 10.6x ↙	10: 10.6x ↘		

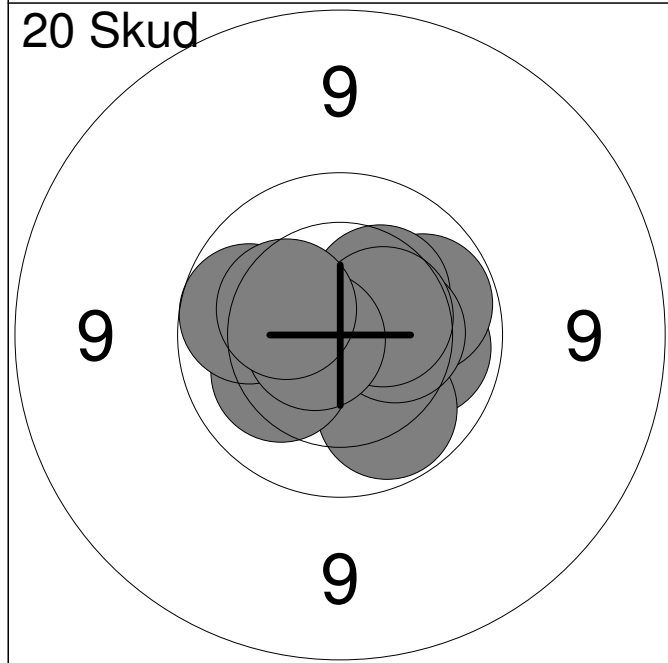
11: 10.1 →	16: 10.7x ↘	Serie	95
12: 9.4 ←	17: 9.3 ↙		
13: 10.7x ↓	18: 10.2 ↓	Total	192
14: 9.7 →	19: 10.1 →		
15: 9.4 ↗	20: 9.4 ←		



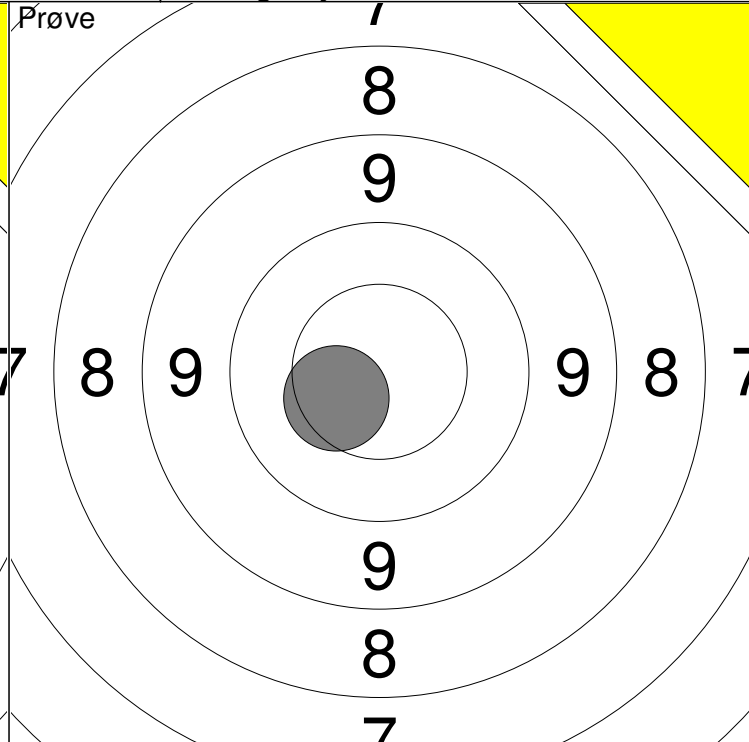
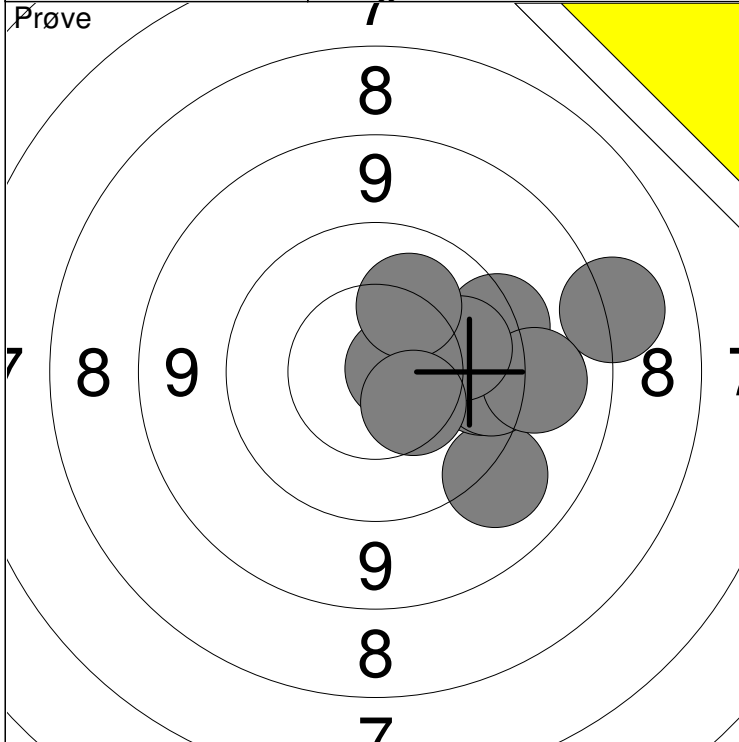
1:	10.7x	↗
2:	10.0	→
3:	9.7	↗
4:	9.8	→
5:	9.8	↗
6:	10.3	→
7:	10.6x	↘
8:	9.9	→
9:	10.6x	→
Serie		86.0
Total		0.0



1:	10.5	↙
2:	10.3	↑
3:	10.5	↗
4:	10.8x	←
5:	10.7x	→
6:	10.3	↙
7:	10.6x	↘
8:	10.2	→
9:	10.2	→
10:	10.8x	↘
Serie		100.0
Total		100.0

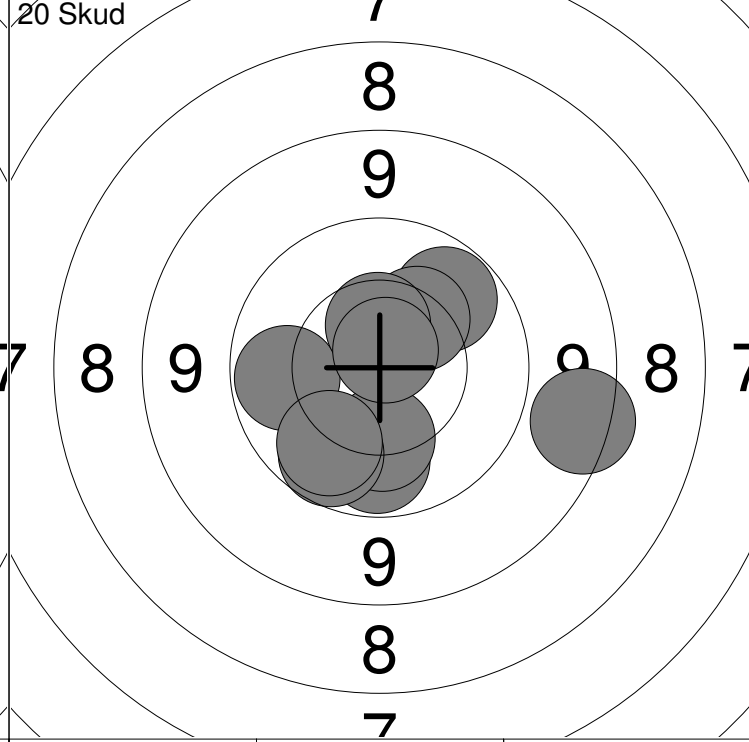
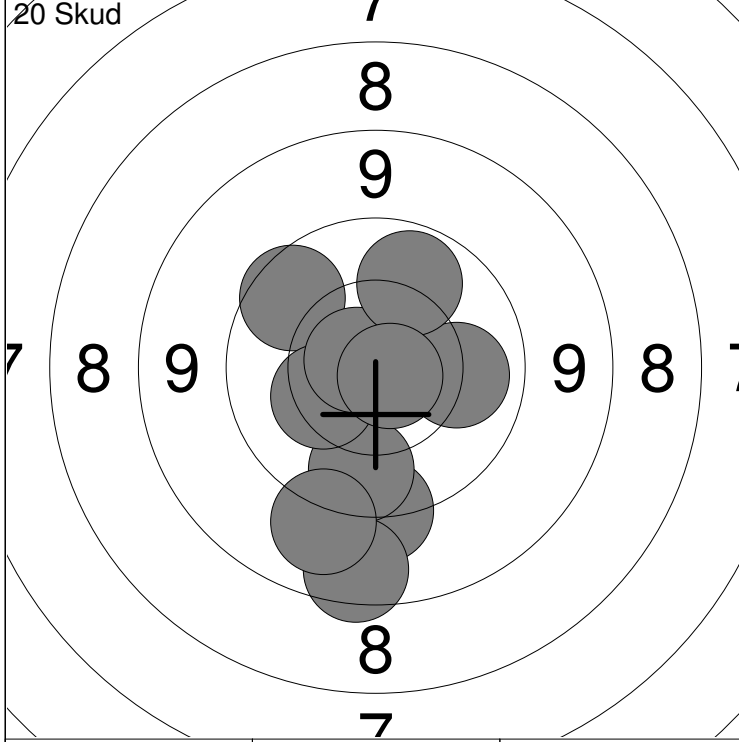


11:	10.1	→
12:	10.0	→
13:	10.0	↘
14:	10.2	↙
15:	10.3	↗
16:	9.9	←
17:	10.4	→
18:	10.4	→
19:	10.7x	←
20:	10.3	↖
Serie		99.0
Total		199.0



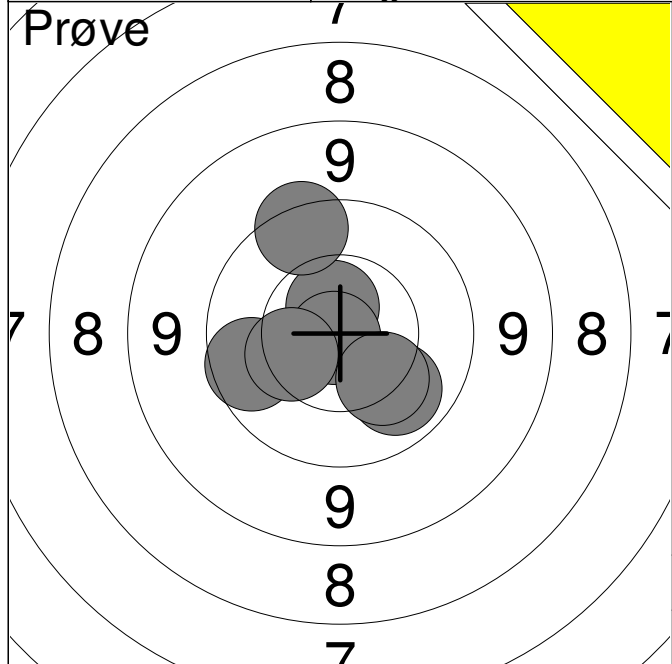
1: 9.6 →	6: 9.7 →	Serie	93
2: 8.3 →	7: 9.2 →		
3: 10.7x →	8: 10.1 →	Total	0
4: 9.3 ↘	9: 10.2 ↗		
5: 9.8 →	10: 10.4 ↘		

11: 10.4 ←		Serie	10
		Total	0

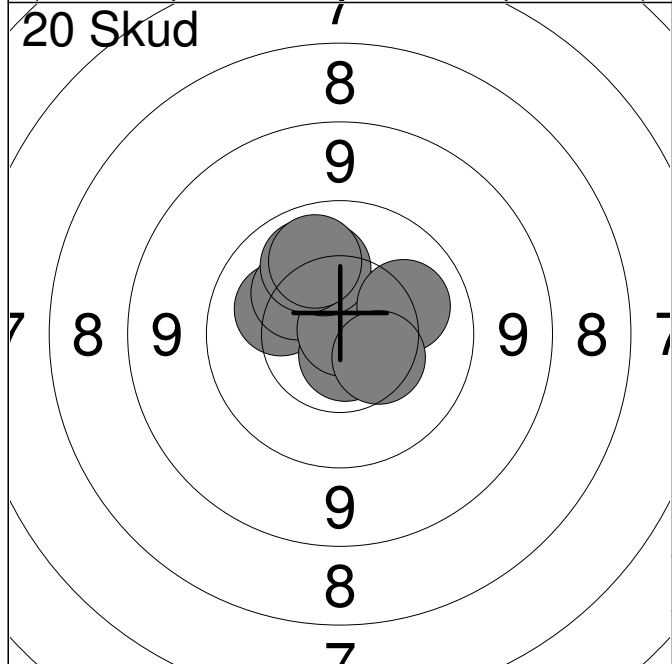


1: 9.8 ↗	6: 10.7x ↖	Serie	94
2: 9.4 ↓	7: 10.1 →		
3: 9.9 ↓	8: 10.0 ↗	Total	94
4: 8.7 ↓	9: 9.2 ↘		
5: 10.3 ↙	10: 10.8x ↘		

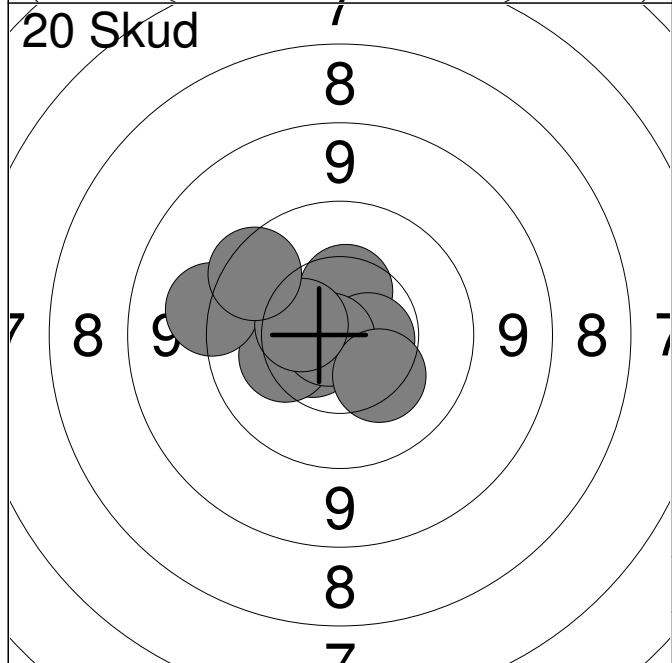
11: 8.7 →	16: 10.2 ↓	Serie	97
12: 10.0 ↗	17: 10.5 ↑		
13: 10.3 ↗	18: 9.9 ↘	Total	191
14: 10.0 ↓	19: 10.0 ↘		
15: 10.0 ←	20: 10.8x ↗		



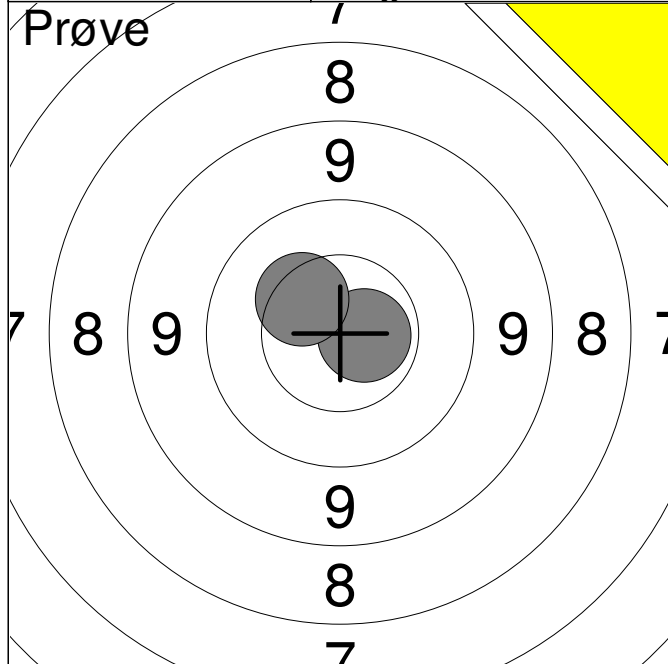
1:	10.6x	↑
2:	9.6	↑
3:	10.9x	↙
4:	9.9	↙
5:	10.0	↘
6:	10.2	↘
7:	10.3	↙
Serie		68.0
Total		0.0



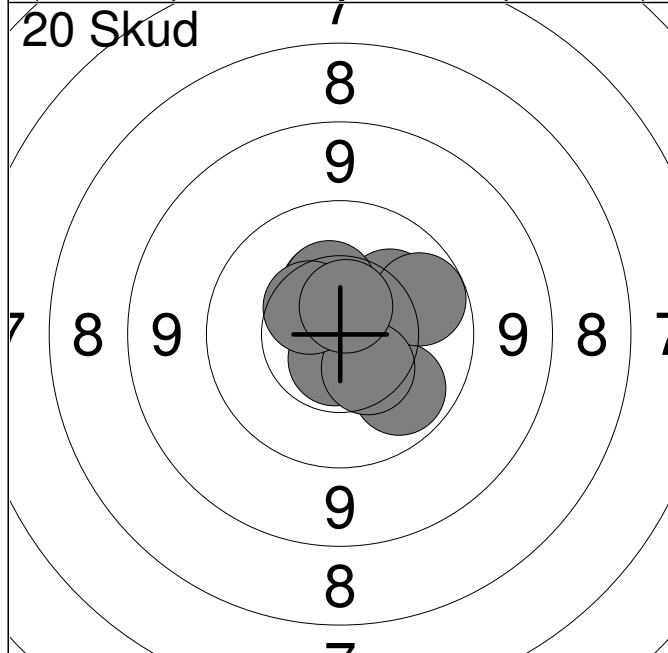
1:	10.2	↙
2:	10.3	↗
3:	10.7x	↗
4:	10.7x	↘
5:	10.9x	↗
6:	10.2	↑
7:	10.1	↗
8:	10.4	↘
9:	10.1	↗
10:	10.1	↑
Serie		100.0
Total		100.0



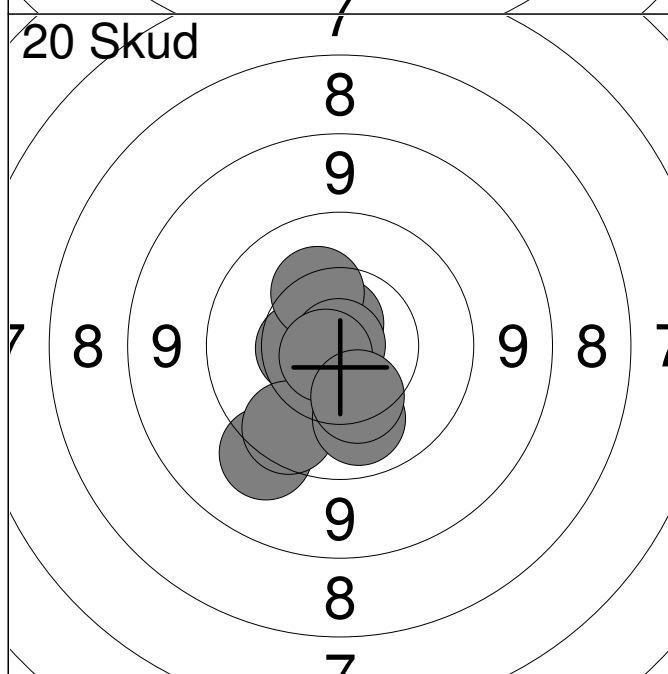
11:	10.4	↑
12:	10.6	↙
13:	9.8	↙
14:	10.6x	→
15:	10.3	↙
16:	10.8x	↙
17:	10.3	↘
18:	9.4	↙
19:	10.5	↙
20:	9.7	↗
Serie		97.0
Total		197.0



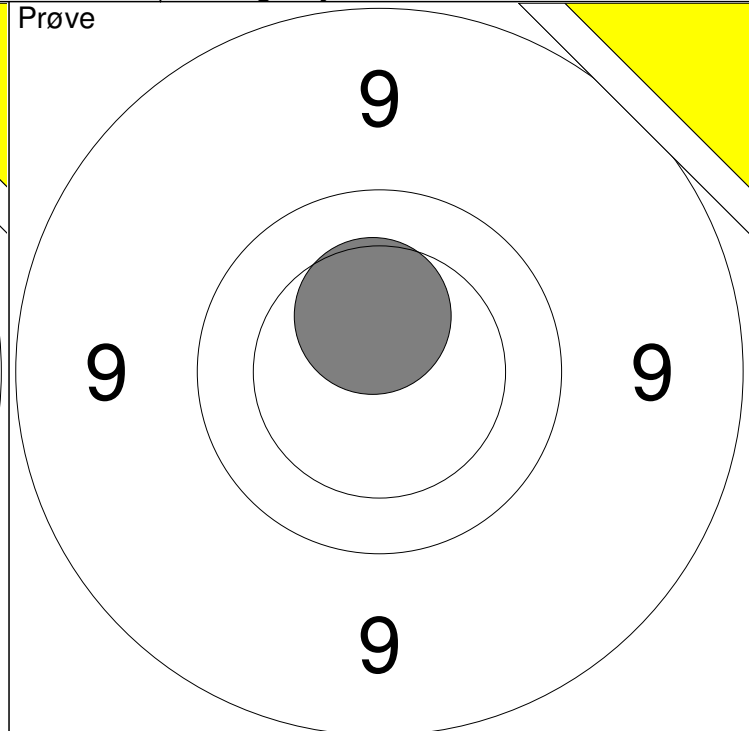
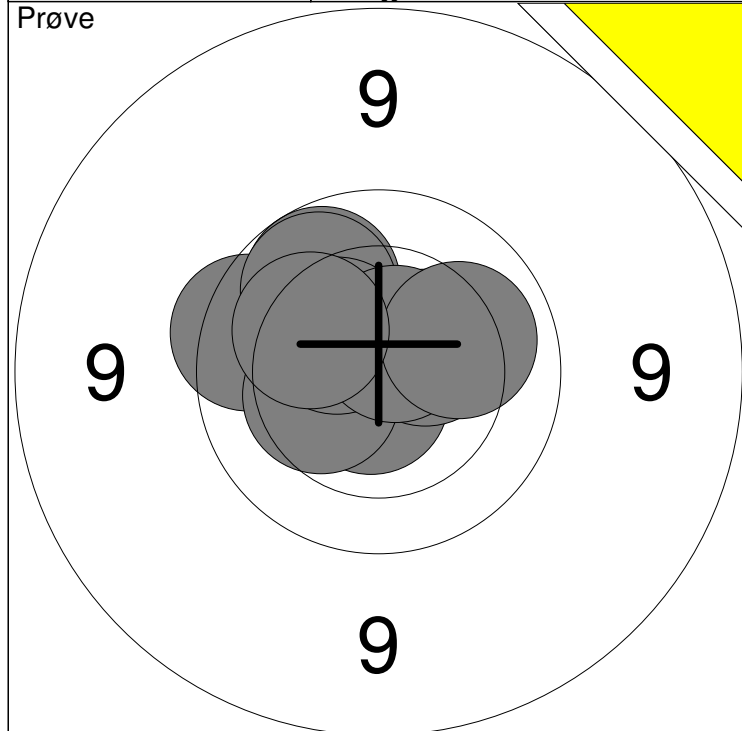
	1:	10.7x	→
	2:	10.4	↗
Serie			20.0
Total			0.0



	1:	10.0	↘
	2:	10.7x	↗
	3:	10.2	↗
	4:	10.7x	↘
	5:	9.9	→
	6:	10.4	↗
	7:	10.4	↗
	8:	10.4	↘
	9:	10.5	↗
	10:	10.6x	↗
Serie			99.0
Total			99.0

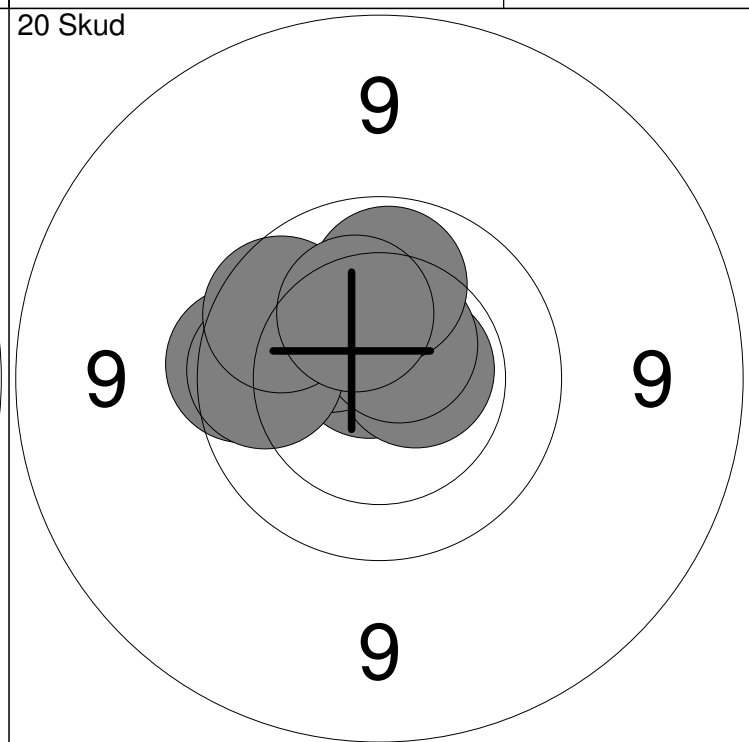
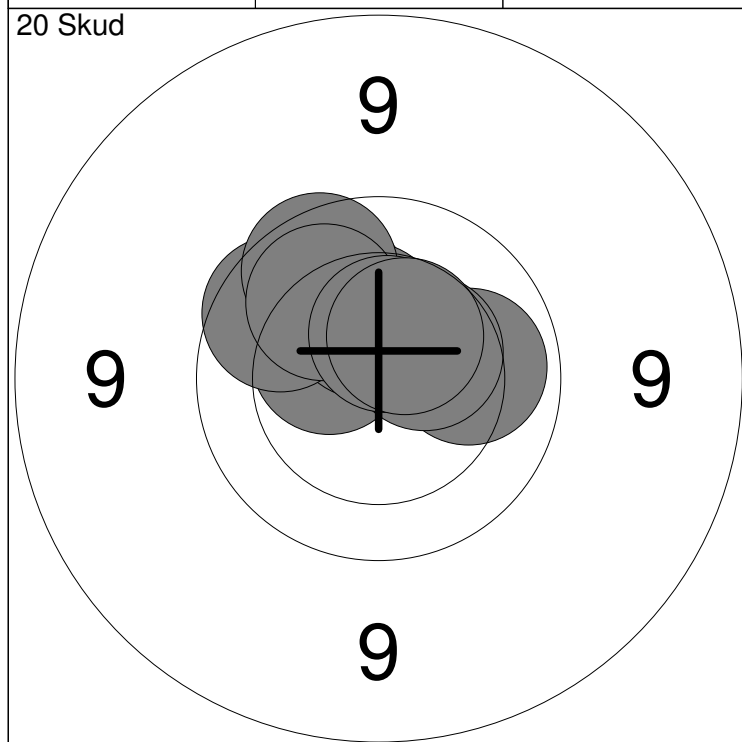


	11:	9.4	↙
	12:	10.5	←
	13:	10.8x	↙
	14:	9.8	↙
	15:	10.1	↘
	16:	10.7x	↗
	17:	10.3	↗
	18:	10.9x	↗
	19:	10.7x	↙
	20:	10.3	↘
Serie			98.0
Total			197.0



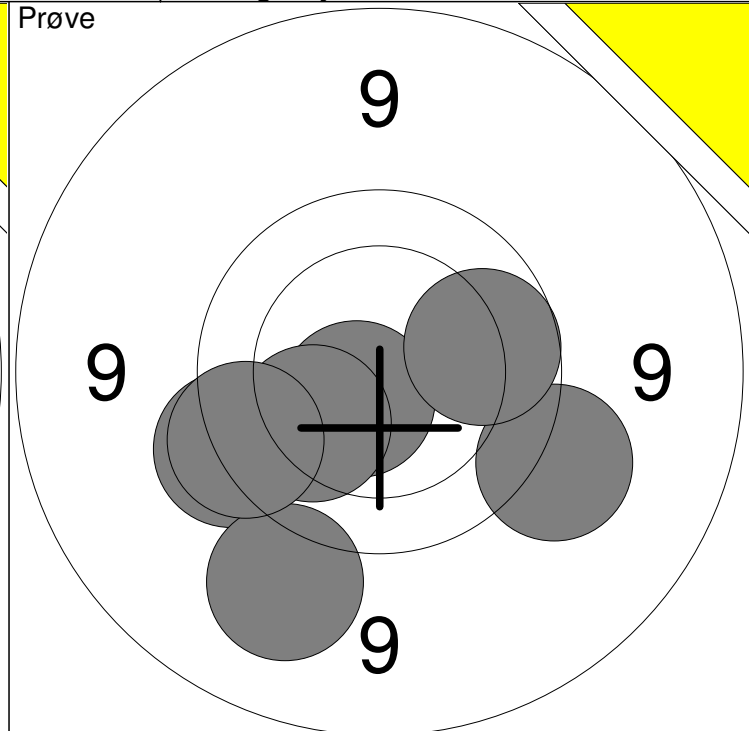
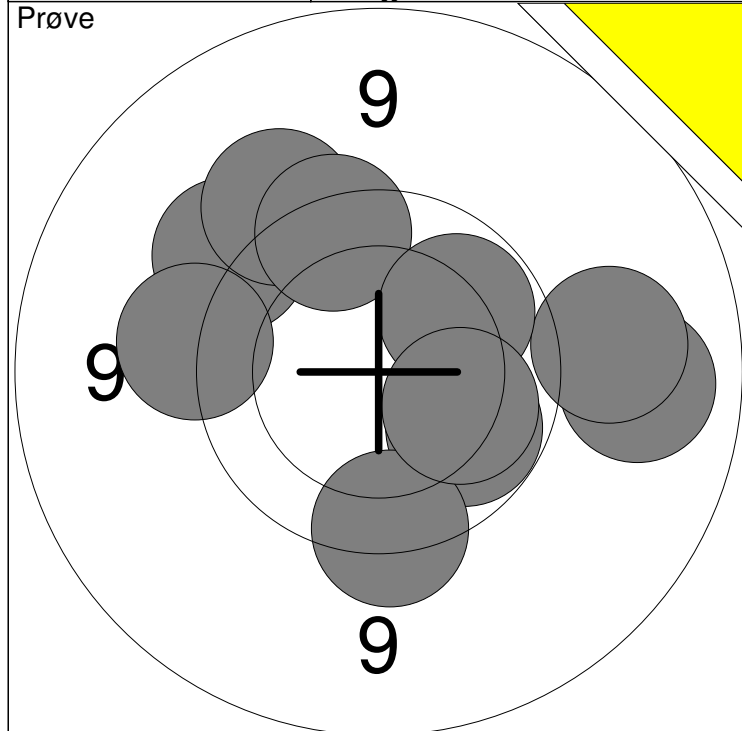
1: 10.0 ↗	6: 10.4 ↖	Serie	99
2: 9.8 ↖	7: 10.4 ↗		
3: 10.7x ↘	8: 10.6x ↗	Total	0
4: 10.3 ↖	9: 10.1 ↗		
5: 10.0 ↗	10: 10.2 ↖		

11: 10.4 ↗	Serie	10
	Total	0



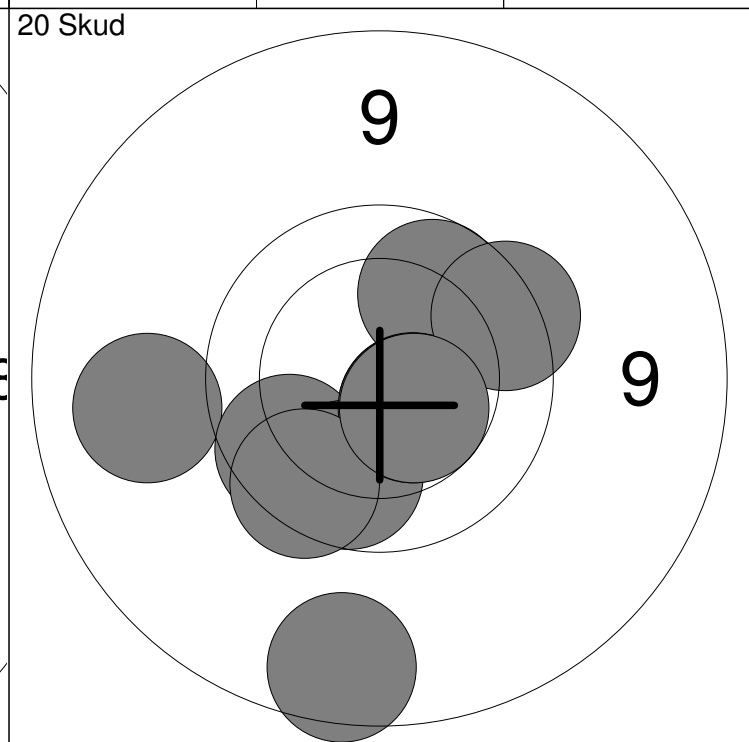
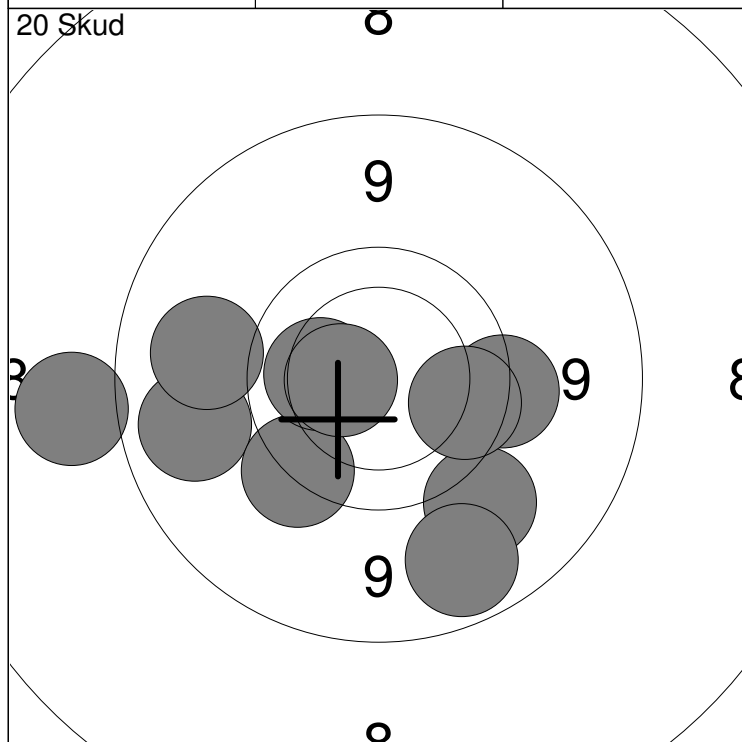
1: 10.1 ↗	6: 10.1 →	Serie	98
2: 10.4 ↖	7: 10.0 ↗		
3: 10.4 ↗	8: 10.4 ↗	Total	98
4: 9.9 ↖	9: 10.5x ↗		
5: 9.8 ↗	10: 10.5 ↗		

11: 10.7x ↗	16: 10.6x ↗	Serie	97
12: 10.6x →	17: 9.9 ↖		
13: 10.3 ↗	18: 9.9 ↖	Total	195
14: 9.8 ↖	19: 10.0 ↗		
15: 10.3 ↖	20: 10.3 ↗		



1: 10.0 ↘	6: 9.5 ↗	Serie	93
2: 9.1 →	7: 9.7 ↗		
3: 9.2 →	8: 10.0 ↗	Total	0
4: 9.5 ↗	9: 9.7 ↓		
5: 9.5 ←	10: 10.1 ↘		

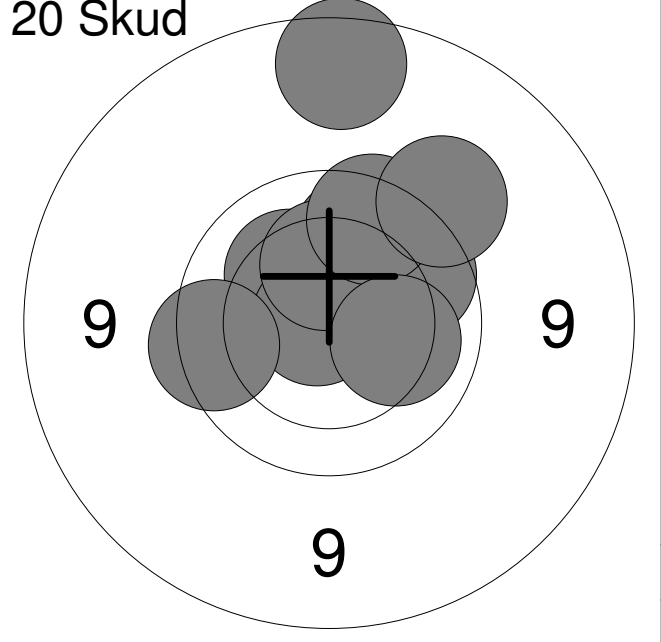
11: 10.6x ↙	16: 9.9 →	Serie	65
12: 9.6 ↙	17: 9.7 ↙		
13: 10.1 ↙		Total	0
14: 9.4 ↘			
15: 9.3 ↘			

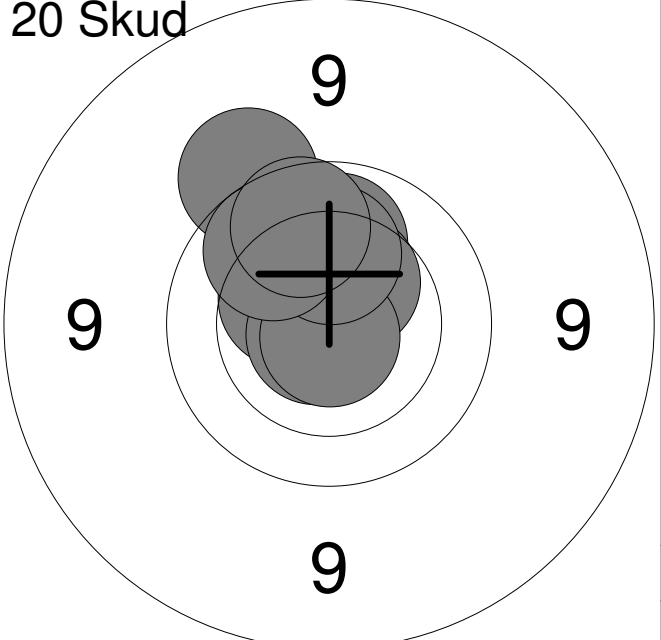


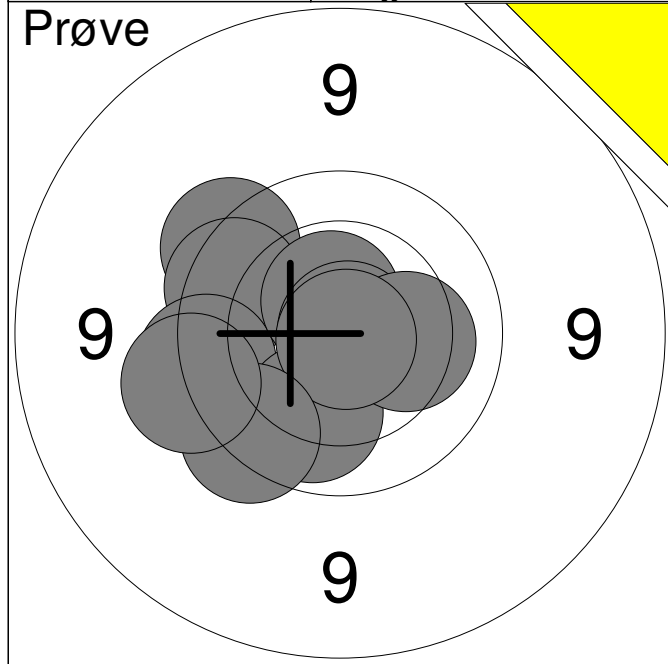
1: 9.3 ↘	6: 9.8 →	Serie	91
2: 9.6 →	7: 9.6 ↙		
3: 9.0 ↙	8: 9.2 ←	Total	91
4: 8.4 ←	9: 10.2 ←		
5: 9.1 ←	10: 10.4 ←		

11: 9.9 ↗	16: 9.9 ↓	Serie	92
12: 8.9 ↓	17: 10.5x ↘		
13: 10.5x ↘	18: 9.8 ↙	Total	183
14: 9.2 ←	19: 9.7 ↗		
15: 9.9 ↙	20: 10.5 ↘		

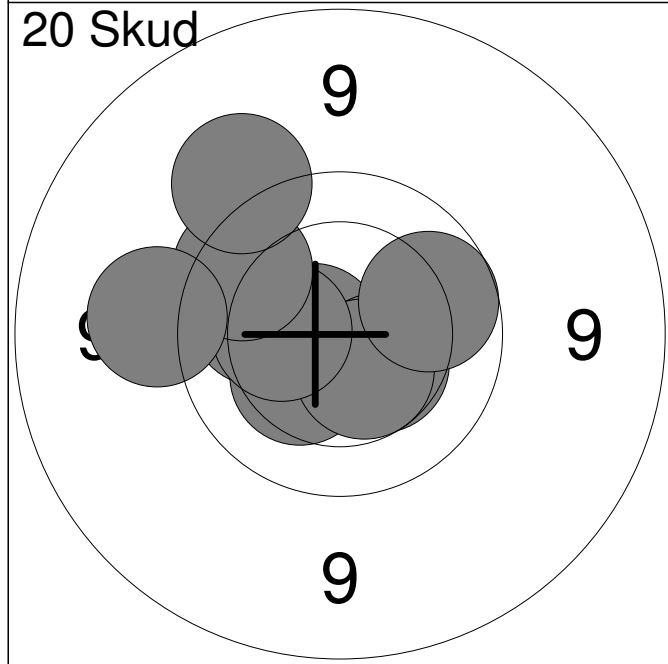
<p>Prøve</p> 	<table style="width:100%; border-collapse: collapse;"> <tr><td style="width:10%;">1:</td><td style="width:30%;">9.9</td><td style="width:10%; text-align: center;">↙</td></tr> <tr><td>2:</td><td>10.1</td><td style="text-align: center;">↙</td></tr> <tr><td>3:</td><td>9.2</td><td style="text-align: center;">↗</td></tr> <tr><td>4:</td><td>9.8</td><td style="text-align: center;">↗</td></tr> <tr><td>5:</td><td>9.6</td><td style="text-align: center;">↘</td></tr> <tr><td>6:</td><td>9.9</td><td style="text-align: center;">↗</td></tr> <tr><td>7:</td><td>10.4</td><td style="text-align: center;">↘</td></tr> <tr><td>8:</td><td>9.3</td><td style="text-align: center;">↗</td></tr> <tr><td>9:</td><td>10.2</td><td style="text-align: center;">↗</td></tr> <tr><td colspan="2">Serie</td><td style="text-align: right;">84.0</td></tr> <tr><td colspan="2">Total</td><td style="text-align: right;">0.0</td></tr> </table>	1:	9.9	↙	2:	10.1	↙	3:	9.2	↗	4:	9.8	↗	5:	9.6	↘	6:	9.9	↗	7:	10.4	↘	8:	9.3	↗	9:	10.2	↗	Serie		84.0	Total		0.0
1:	9.9	↙																																
2:	10.1	↙																																
3:	9.2	↗																																
4:	9.8	↗																																
5:	9.6	↘																																
6:	9.9	↗																																
7:	10.4	↘																																
8:	9.3	↗																																
9:	10.2	↗																																
Serie		84.0																																
Total		0.0																																

<p>20 Skud</p> 	<table style="width:100%; border-collapse: collapse;"> <tr><td style="width:10%;">1:</td><td style="width:30%;">9.9</td><td style="width:10%; text-align: center;">↗</td></tr> <tr><td>2:</td><td>9.9</td><td style="text-align: center;">↘</td></tr> <tr><td>3:</td><td>10.2</td><td style="text-align: center;">↗</td></tr> <tr><td>4:</td><td>10.8x</td><td style="text-align: center;">←</td></tr> <tr><td>5:</td><td>10.3</td><td style="text-align: center;">↗</td></tr> <tr><td>6:</td><td>9.8</td><td style="text-align: center;">←</td></tr> <tr><td>7:</td><td>9.8</td><td style="text-align: center;">↗</td></tr> <tr><td>8:</td><td>10.2</td><td style="text-align: center;">→</td></tr> <tr><td>9:</td><td>9.4</td><td style="text-align: center;">↗</td></tr> <tr><td>10:</td><td>8.9</td><td style="text-align: center;">↗</td></tr> <tr><td colspan="2">Serie</td><td style="text-align: right;">93.0</td></tr> <tr><td colspan="2">Total</td><td style="text-align: right;">93.0</td></tr> </table>	1:	9.9	↗	2:	9.9	↘	3:	10.2	↗	4:	10.8x	←	5:	10.3	↗	6:	9.8	←	7:	9.8	↗	8:	10.2	→	9:	9.4	↗	10:	8.9	↗	Serie		93.0	Total		93.0
1:	9.9	↗																																			
2:	9.9	↘																																			
3:	10.2	↗																																			
4:	10.8x	←																																			
5:	10.3	↗																																			
6:	9.8	←																																			
7:	9.8	↗																																			
8:	10.2	→																																			
9:	9.4	↗																																			
10:	8.9	↗																																			
Serie		93.0																																			
Total		93.0																																			

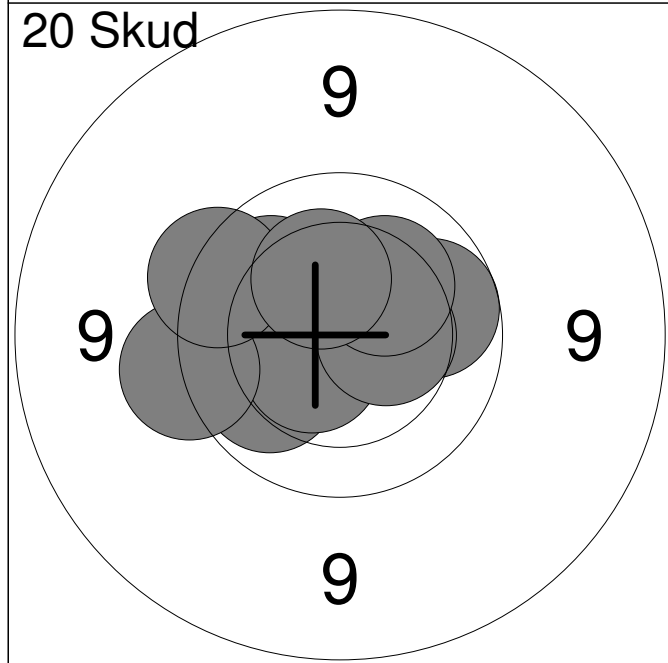
<p>20 Skud</p> 	<table style="width:100%; border-collapse: collapse;"> <tr><td style="width:10%;">11:</td><td style="width:30%;">10.6x</td><td style="width:10%; text-align: center;">↗</td></tr> <tr><td>12:</td><td>10.4</td><td style="text-align: center;">↘</td></tr> <tr><td>13:</td><td>10.1</td><td style="text-align: center;">↗</td></tr> <tr><td>14:</td><td>10.4</td><td style="text-align: center;">↗</td></tr> <tr><td>15:</td><td>10.8x</td><td style="text-align: center;">↙</td></tr> <tr><td>16:</td><td>10.8x</td><td style="text-align: center;">↘</td></tr> <tr><td>17:</td><td>9.5</td><td style="text-align: center;">↗</td></tr> <tr><td>18:</td><td>10.2</td><td style="text-align: center;">↗</td></tr> <tr><td>19:</td><td>10.0</td><td style="text-align: center;">↘</td></tr> <tr><td>20:</td><td>9.9</td><td style="text-align: center;">↗</td></tr> <tr><td colspan="2">Serie</td><td style="text-align: right;">98.0</td></tr> <tr><td colspan="2">Total</td><td style="text-align: right;">191.0</td></tr> </table>	11:	10.6x	↗	12:	10.4	↘	13:	10.1	↗	14:	10.4	↗	15:	10.8x	↙	16:	10.8x	↘	17:	9.5	↗	18:	10.2	↗	19:	10.0	↘	20:	9.9	↗	Serie		98.0	Total		191.0
11:	10.6x	↗																																			
12:	10.4	↘																																			
13:	10.1	↗																																			
14:	10.4	↗																																			
15:	10.8x	↙																																			
16:	10.8x	↘																																			
17:	9.5	↗																																			
18:	10.2	↗																																			
19:	10.0	↘																																			
20:	9.9	↗																																			
Serie		98.0																																			
Total		191.0																																			



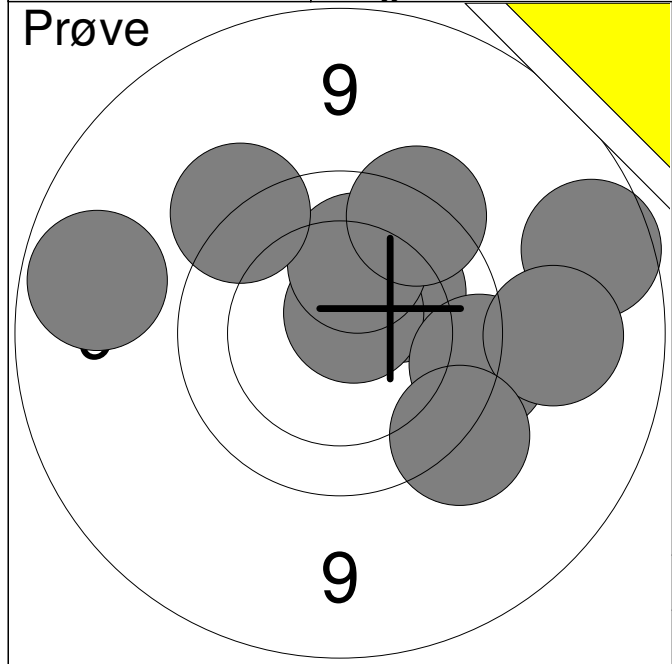
1:	9.7	↗
2:	9.8	↗
3:	9.7	↖
4:	10.6x	↗
5:	10.0	↘
6:	10.9x	→
7:	10.2	→
8:	10.9x	↘
9:	9.7	↘
10:	9.6	↖
Serie		95.0
Total		0.0



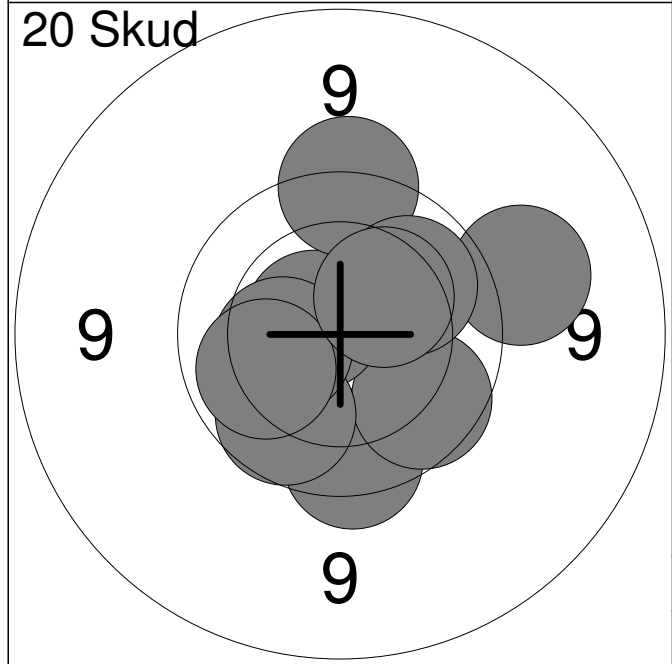
1:	10.7x	↖
2:	10.4	↘
3:	10.1	↖
4:	10.3	↘
5:	10.5x	↘
6:	10.3	↖
7:	9.8	↗
8:	9.4	↖
9:	9.4	↗
10:	9.9	→
Serie		96.0
Total		96.0



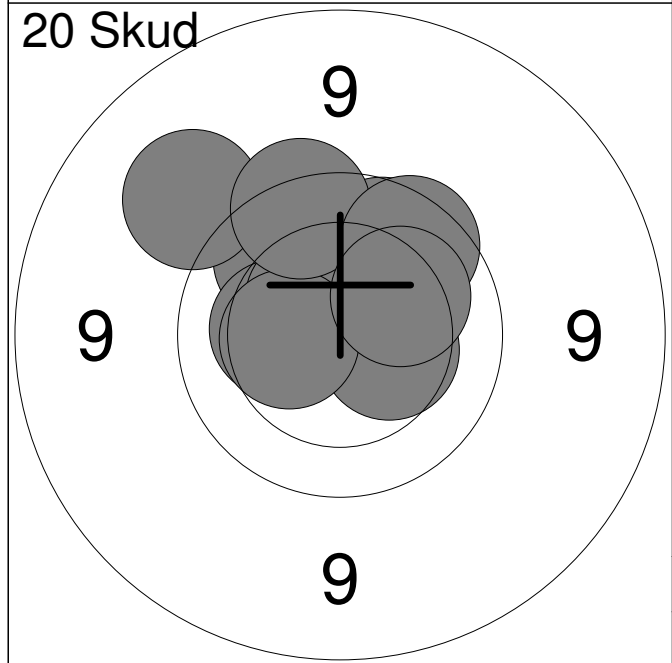
11:	10.0	↖
12:	10.5	↗
13:	10.0	↗
14:	9.9	→
15:	10.5x	↖
16:	9.6	↖
17:	10.5	→
18:	10.2	↗
19:	9.7	↖
20:	10.3	↗
Serie		97.0
Total		193.0



1:	8.9	→
2:	10.2	↗
3:	10.7x	↗
4:	10.2	↑
5:	9.0	←
6:	9.6	→
7:	9.7	↗
8:	9.2	→
9:	9.6	↗
10:	9.6	↘
Serie		92.0
Total		0.0



1:	9.7	↓
2:	9.9	↘
3:	10.6x	↗
4:	9.9	↙
5:	10.3	←
6:	9.6	↑
7:	9.4	→
8:	10.1	←
9:	10.0	↗
10:	10.3	↗
Serie		95.0
Total		95.0



11:	9.9	↗
12:	10.3	←
13:	9.9	↗
14:	10.5x	↗
15:	10.4	→
16:	9.3	↗
17:	10.4	←
18:	9.7	↑
19:	9.8	↗
20:	10.2	↗
Serie		95.0
Total		190.0